



**Contents** [ [hide](#) ]

- [1 TONG LI TW-130 Series Coin Selector](#)
- [2 Product specification](#)
- [3 Product Characteristics](#)
- [4 Common fault handling](#)
- [5 Wiring setting](#)
- [6 CONTACT](#)
- [7 Documents / Resources](#)
  - [7.1 References](#)

**TONG-LI-LOGO**

## TONG LI TW-130 Series Coin Selector

TONG-LI-TW-130-Series-Coin-Selector-PRODUCT

THIS PRODUCT IS ONLY APPLICABLE TO GAME TOKENS AND DOES NOT SUPPORT THE USE OF CIRCULATING CURRENCIES.

Thanks for your shopping

Please read the user's manual before use

### Product specification

- **Working temperature:** -15°C~+50°C
- **Thickness of coin:** 1.7mm~2.2mm
- **Working current:** 60mA 5%
- **Diameter of coin:** 22mm~28mm
- **Working voltage:** DC+12V ≤ 10%

## **Product Characteristics**

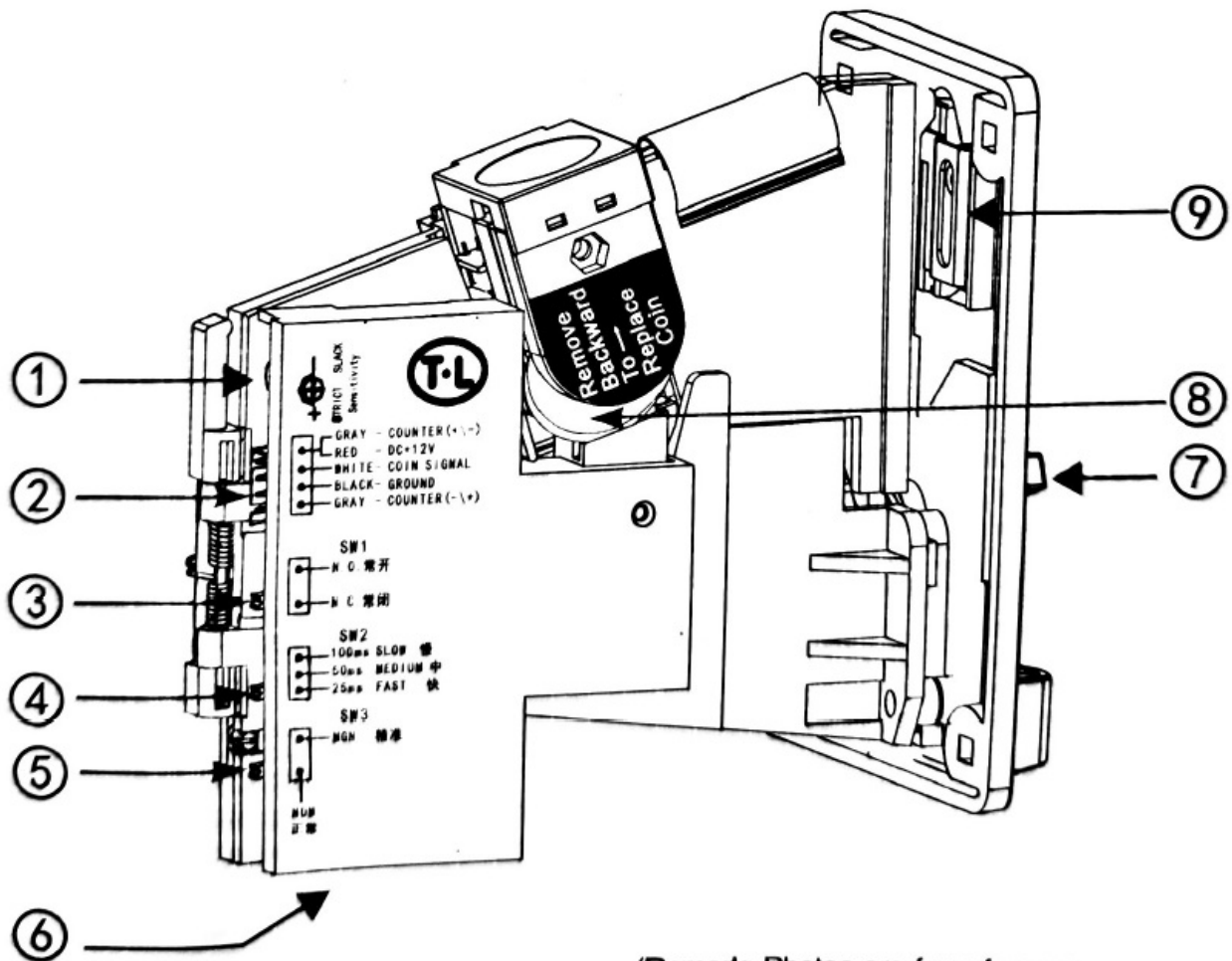
1. Suit for all kinds of tokens.
2. CPU program control and score correctly.
3. Special design for anti-EMI(electromagnetic interference).
4. Special design: precise/normal switch make the coin inserting more smoothly.
5. Back open design, no jamming coins and plugging coins

## **Manual**

1. Removing the plastic coin from the coin groove and insert the using coins.
2. Changing COIN SW1 according to the main board. PC boards with revolving lamps normally use NC; other PC boards use NO.
3. Changing COIN SW2 according to the main board. Fast 25ms and Medium 50ms are normally suited for common game machines, and Slow 100ms are suited for amusement machines.
4. VR knob is used to adjust the sensitivity of the coin acceptance. Clockwise turning is a slack selection, the counterclockwise a strict selection. Generally, it had been adjusted in the factory.
5. If find the coin pass unsmooth, please adjust the precision switch, or tum the VR knob in the suitable direction.

## **Common fault handling**

TONG-LI-TW-130-Series-Coin-Selector-FIG-1



(Remark: Photos are for reference, specific depends on products.)

## Common fault handling

TONG-LI-TW-130-Series-Coin-Selector-FIG-3

## Wiring setting

TONG-LI-TW-130-Series-Coin-Selector-FIG-4

## CONTACT

- GUANGZHOU TONGLI ANIMATION TECHNOLOGY CO., LTD.
- Add: H19 Startoon City, Yingxing Road, Donghuan Street, Panyu District, Guangzhou, China
- Contact:(+86)20-23885899
- Official Website: [www.tongliananimation.com](http://www.tongliananimation.com).

## Documents / Resources

	<a href="#">TONG LI TW-130 Series Coin Selector [pdf]</a> User Guide TW-130 Series, TW-130 Series Coin Selector, Coin Selector, Selector
--	---

## References

- [User Manual](#)

■ TONG    ♦ Coin Selector, Selector, TONG LI, TW-130 Series, TW-130 Series Coin  
LI        Selector

---

## Leave a comment

Your email address will not be published. Required fields are marked \*

Comment \*

Name

Email

Website

Save my name, email, and website in this browser for the next time I comment.

**Post Comment**

**Search:**

e.g. whirlpool wrf535swhz

Search

[Manuals+](#) | [Upload](#) | [Deep Search](#) | [About Us](#) | [Privacy Policy](#) | [@manuals.plus](#) | [YouTube](#) | [LinkedIn](#) | [FaceBook](#)

This website is an independent publication and is neither affiliated with nor endorsed by any of the trademark owners. The "Bluetooth®" word mark and logos are registered trademarks owned by Bluetooth SIG, Inc. The "Wi-Fi®" word mark and logos are registered trademarks owned by the Wi-Fi Alliance. Any use of these marks on this website does not imply any affiliation with or endorsement.