



P/N: 15G062067000AK V1.0

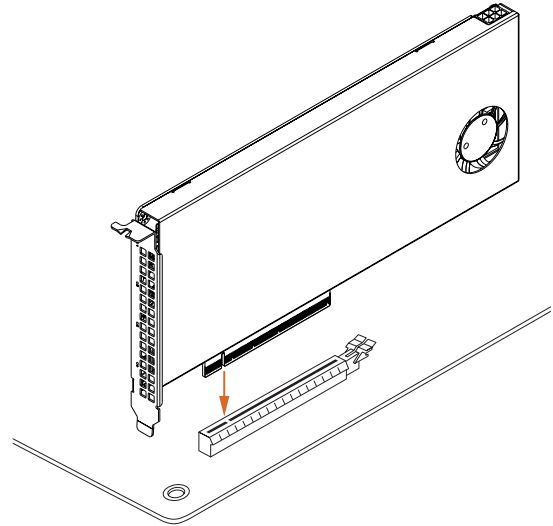
ASRock ULTRA QUAD M.2 card

Package Contents

- ASRock ULTRA QUAD M.2 card
- Quick Installation Guide
- Support CD
- M.2 screws

Specifications

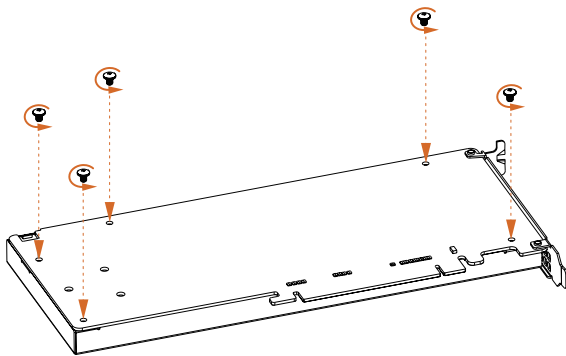
| | |
|-------------------|---------------------------------------------------------------------------------------------------------------------------------------------------------------------------------------------------------------|
| Dimensions | <ul style="list-style-type: none"> • 9.6-in x 4.4-in |
| Interface | <ul style="list-style-type: none"> • PCI Express 3.0 x 16 interface |
| Connector | <ul style="list-style-type: none"> • 4 x Ultra M.2 Sockets, support M Key type 2242/2260/2280/22110 M.2 PCI Express module up to Gen3 x4 (32 Gb/s) • 1 x Graphics 12V Power Connector |



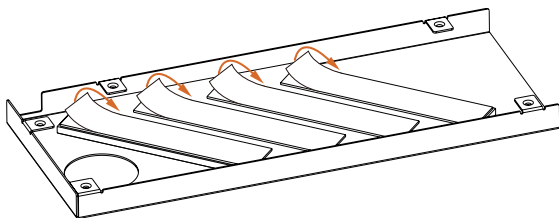
- (This step is only for motherboards with an Intel® X299 chipset.) Locate the VROC1 header on your motherboard, then install a VROC key module to enable the Intel® Virtual RAID on CPU feature.
*Please refer to the user manual that comes with your motherboard for the accurate location of the Virtual RAID On CPU Header (VROC1).

Installation Procedure

1. Remove the five screws holding the bracket in place.

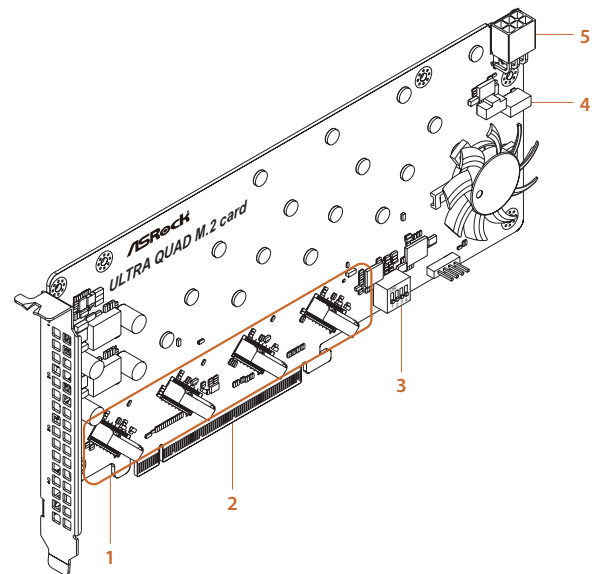


2. Peel off the protective film(s) on the bracket's thermal pad(s) before you install M.2 SSD module(s).



3. Fasten the five screws holding the bracket in place.
Power off the PC and unplug the power cord. Detach all other cables from the PC.
4. Remove the PC cover.
5. Align and insert the card into a PCI Express 3.0 x16 slot on the motherboard. Press firmly until the card is securely seated in place.

Card Layout



| No. | Description |
|-----|--------------------------------|
| 1 | Ultra M.2 Sockets |
| 2 | PCI Express 3.0 x 16 Interface |
| 3 | ASRock Utility Control Switch |
| 4 | Card Fan Switch |
| 5 | Graphics 12V Power Connector |

ASRock Utility Control Switch

| SW1 | Utility control |
|-----|-----------------|
| On | Disabled |
| Off | Enabled |

| SW2 | SW3 | CARD number |
|-----|-----|-------------|
| Off | Off | CARD 1 |
| On | Off | CARD 2 |
| Off | On | CARD 3 |
| On | On | CARD 4 |

SW4: no function

Card Fan Switch

Use this switch to control the card fan speed.

Off: Full (The fan runs at full speed)

ON: Half (The fan runs at half speed, with a half voltage supply)

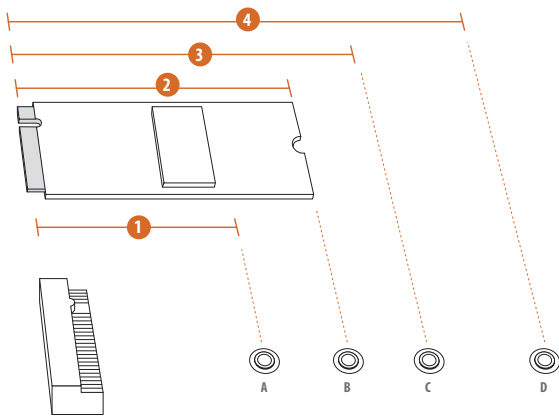
Graphics 12V Power Connector

This card provides a 6-pin graphics 12V power connector. Install the PSU's power cable to this connector when more than two M.2 cards* are installed.

*Intel Optane SSD 900P or other M.2 card with higher power consumption

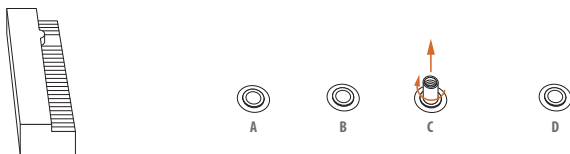
Installing M.2 SSD Module

- Depending on the PCB type and length of your M.2_SSD (NGFF) module, find the corresponding nut location to be used.

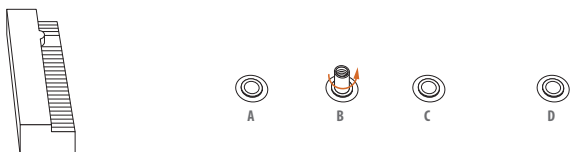


| No. | 1 | 2 | 3 | 4 |
|--------------|-----------|----------|-----------|------------|
| Nut Location | A | B | C | D |
| PCB Length | 4.2cm | 6cm | 8cm | 11cm |
| Module Type | Type 2242 | Type2260 | Type 2280 | Type 22110 |

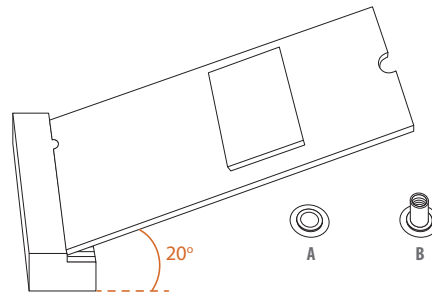
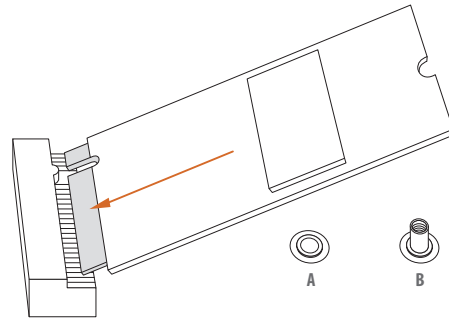
- Move the standoff based on the module type and length. The standoff is placed at the nut location C by default. Skip Step 3 and 4 and go straight to Step 5 if you are going to use the default nut. Otherwise, release the standoff by hand.



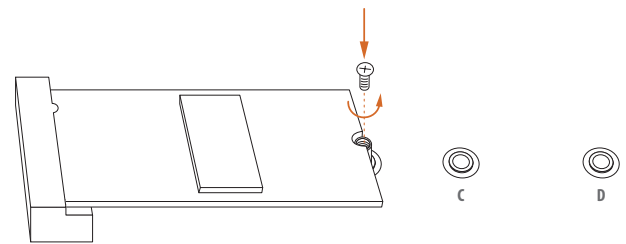
- Peel off the yellow protective film on the nut to be used. Hand tighten the standoff into the desired nut location on the motherboard.



- Gently insert the M.2 SSD module into the M.2 slot. Please be aware that the M.2 SSD module only fits in one orientation.



- Tighten the screw with a screwdriver to secure the module into place. Please do not overtighten the screw as this might damage the module.



Ultra QUAD M.2 card Utility

With the ASRock Ultra QUAD M.2 card Utility, you can check that if your M.2 SSD is properly installed and adjust the fan speed. Place the Support CD into your DVD-ROM drive to run this utility or download it from the ASRock website.



M.2 SSD Status

Select a fan speed mode

[Manual] Select a fan speed preference
[Disable] Turn off the fan

Supported ASRock Motherboard Models:

| Motherboard Models | PCIe slots | PCIe Slots* | Utility Support |
|-----------------------------------------|------------|-------------|-----------------|
| Intel X299 Chipset | | | |
| X299 OC Formula | PCIe1 | PCIe5 | N/A |
| X299 Taichi XE | PCIe1 | PCIe3 | Yes |
| X299 Taichi | PCIe1 | PCIe3 | N/A |
| Fatal1ty X299 Professional Gaming i9 XE | PCIe1 | PCIe3 | Yes |
| Fatal1ty X299 Professional Gaming i9 | PCIe1 | PCIe3 | N/A |
| Fatal1ty X299 Gaming K6 | PCIe1 | PCIe3 | N/A |
| X299 Extreme4 | PCIe2 | PCIe3 | Yes |
| X299M Extreme4 | PCIe1 | PCIe2 | Yes |
| X299 Killer SLI/ac | PCIe1 | PCIe3 | N/A |
| AMD X399 Chipset | | | |
| X399 Taichi | PCIe4 | N/A | N/A |
| Fatal1ty X399 Professional Gaming | PCIe4 | N/A | N/A |
| X399M Taichi | PCIe2 | N/A | N/A |

*The second PCIe Slot is only supported with CPU with 44 lanes

*For the M.2 SSD support list and the updated information on the supported motherboard models, please visit www.asrock.com.