

Datasheet

RS PRO Stainless Steel Hinge

Stock No: 749-1706



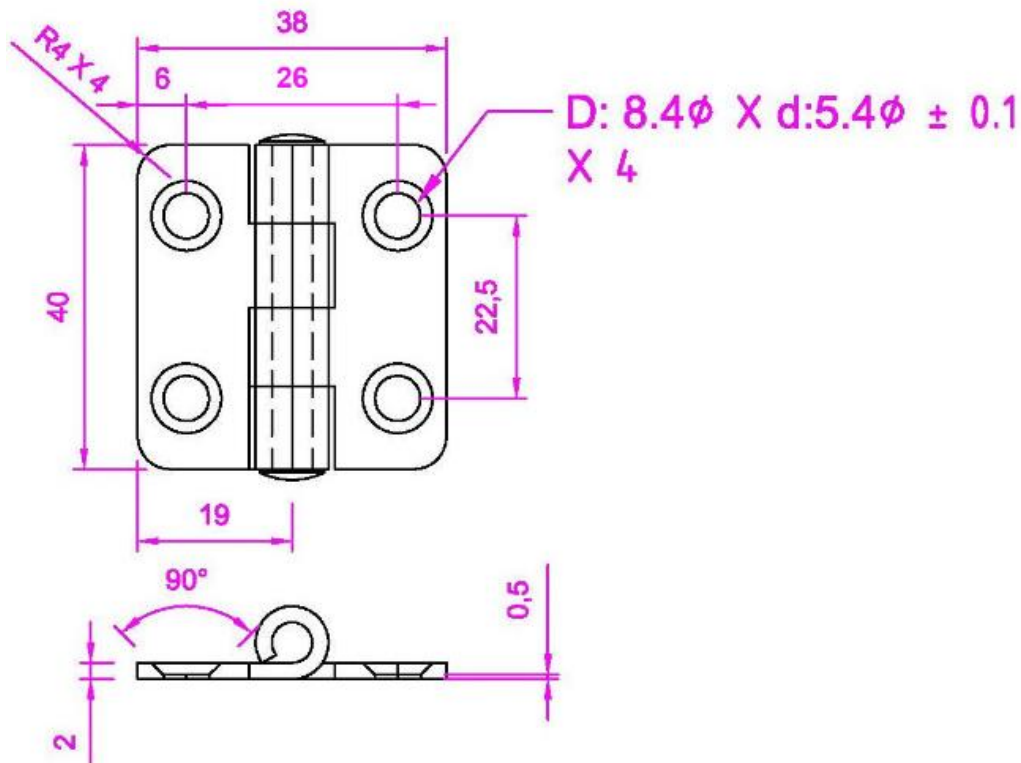
Technical Specifications:

Material	Stainless Steel 304
Dimensions	38 x 40mm x 2mm thickness
Package	2pcs in a polybag

Features & Benefits:

- Robust, with excellent anti-corrosive properties
- Ideal for the food, pharmaceutical and other 'clean' industries
- Vibrated and Chrome treated
- Made of high-quality Stainless Steel 304
- Riveted Pin

Dimensional line drawings



MATERIAL : STAINLESS STEEL 304
TREATMENT : ELECTROLYZED & POLISHED
TOLERANCE : ±0.3 m/m