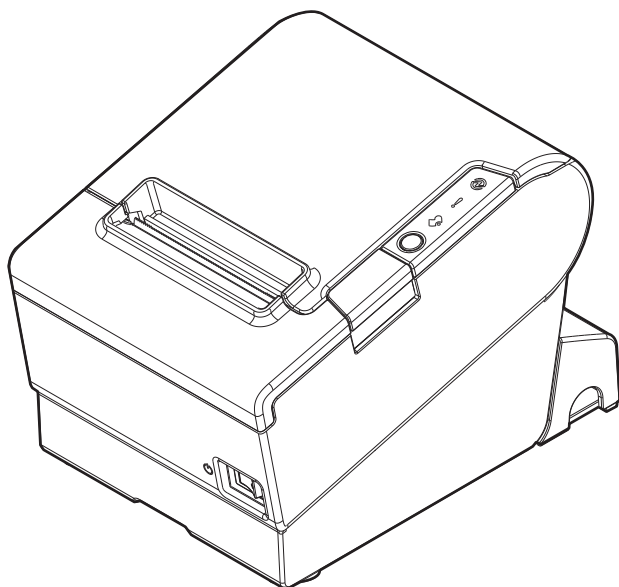


TM-T88VI

Technical Reference Guide



Product Overview

Describes features of the product.

Setup

Describes setup and installation of the product and peripherals.

Advanced Usage

Describes advanced usage methods for the product.

Application Development Information

Describes how to control the printer and necessary information when you develop applications.

Handling

Describes how to handle the product.

Replacement of the TM-T88V

Describes precautions for replacement.

Appendix

Describes general specifications and character code tables.

Cautions

- No part of this document may be reproduced, stored in a retrieval system, or transmitted in any form or by any means, electronic, mechanical, photocopying, recording, or otherwise, without the prior written permission of Seiko Epson Corporation.
- The contents of this document are subject to change without notice. Please contact us for the latest information.
- While every precaution has been taken in the preparation of this document, Seiko Epson Corporation assumes no responsibility for errors or omissions.
- Neither is any liability assumed for damages resulting from the use of the information contained herein.
- Neither Seiko Epson Corporation nor its affiliates shall be liable to the purchaser of this product or third parties for damages, losses, costs, or expenses incurred by the purchaser or third parties as a result of: accident, misuse, or abuse of this product or unauthorized modifications, repairs, or alterations to this product, or (excluding the U.S.) failure to strictly comply with Seiko Epson Corporation's operating and maintenance instructions.
- Seiko Epson Corporation shall not be liable against any damages or problems arising from the use of any options or any consumable products other than those designated as Original Epson Products or Epson Approved Products by Seiko Epson Corporation.

Trademarks

EPSON is a registered trademark of Seiko Epson Corporation.

Exceed Your Vision and ESC/POS are registered trademarks or trademarks of Seiko Epson Corporation.

Microsoft, Windows, and Windows Vista are registered trademarks of Microsoft Corporation in the United States and/or other countries.

Wi-Fi[®], WPA[™], and WPA2[™] are either registered trademarks or trademarks of Wi-Fi Alliance[®].

The Bluetooth[®] word mark and logos are registered trademarks owned by Bluetooth SIG, Inc. and any use of such marks by Seiko Epson Corporation is under license.

IOS is a trademark or registered trademark of Cisco in the U.S. and other countries and is used under license.

Apple, Apple TV, Apple Watch, iPad, iPad Air, iPad Pro, iPhone, and Lightning are trademarks of Apple Inc., registered in the U.S. and other countries. tvOS is a trademark of Apple Inc.

iBeacon is a trademark of Apple Inc.

Android and Google Play are trademarks of Google, Inc.

All other trademarks are the property of their respective owners and used for identification purpose only.

ESC/POS[®] Command System

Epson ESC/POS is a proprietary POS printer command system that includes patented or patent-pending commands. ESC/POS is compatible with most Epson POS printers and displays.



ESC/POS is designed to reduce the processing load on the host computer in POS environments. It comprises a set of highly functional and efficient commands and also offers the flexibility to easily make future upgrades.

©Seiko Epson Corporation 2016-2018. All rights reserved.


For Safety

Key to Symbols

The symbols in this manual are identified by their level of importance, as defined below. Read the following carefully before handling the product.

 WARNING	You must follow warnings carefully to avoid serious bodily injury.
 CAUTION	Provides information that must be observed to prevent damage to the equipment or loss of data. <ul style="list-style-type: none">• Possibility of sustaining physical injuries.• Possibility of causing physical damage.• Possibility of causing information loss.
CAUTION	Provides information that must be observed to avoid damage to your equipment or a malfunction.
NOTE	Provides important information and useful tips.

Warnings

 WARNING	<p>In the following cases, immediately unplug the AC cable and contact your dealer or a Seiko Epson service center for advice. Continued use may lead to fire or electric shock.</p> <ul style="list-style-type: none">• If the product emits smoke, a strange odor, or unusual noises.• If water or other liquid spills into the product.• If the product is too hot to touch or the case is deformed. <p>Note the following points to avoid accidents such as fire, electric shock, or burn.</p> <ul style="list-style-type: none">• Do not use this product where flammable fumes from gasoline, benzene, thinner, or other flammable liquids may be in the air.• Do not use aerosol sprayers containing flammable gas inside or around the product.• Do not cover the product with cloth, or place the product in locations subject to high levels of humidity or dust.• Do not allow foreign objects or flammable objects to fall into the equipment.• Do not touch the inside of the product except where mentioned in the manual.• Do not use the product with any power supply or voltage other than the ones specified.• Do not connect cables in ways other than those mentioned in the manual.• Never disassemble or modify the product.• Do not use the power plug if there is dust or foreign matter attached.• Do not bend, twist, pull with excessive force, or place heavy object on the power cable.• Do not use the cables if they are damaged.• Do not place multiple loads on the power outlet (wall outlet).• Never insert or disconnect the power plug with wet hands.
---	--

Cautions



Note the following points to avoid injury or malfunction.

- Setup the product on a firm, stable, horizontal surface.
- Do not place heavy objects on top of the product. Never stand or lean on the product.
- Do not press your hands or fingers against the cutter when removing printed paper or loading/replacing roll paper.
- Do not put your hands between the cover and the body of the product when opening/closing the cover.
- Never attempt to repair the product yourself.
- Do not connect a telephone line to the drawer kick connector.

To ensure safety, unplug this product before leaving it unused for an extended period.

Caution Labels

The caution labels on the product indicate the following precautions.



Do not touch the thermal head and the frame on its side because it can be very hot after printing.



Touching the manual cutter may cause injury.

Restriction of Use

When this product is used for applications requiring high reliability/safety, such as transportation devices related to aviation, rail, marine, automotive, etc.; disaster prevention devices; various safety devices, etc.; or functional/precision devices, etc., you should use this product only after giving consideration to including fail-safes and redundancies into your design to maintain safety and total system reliability. Because this product was not intended for use in applications requiring extremely high reliability/safety, such as aerospace equipment, main communication equipment, nuclear power control equipment, or medical equipment related to direct medical care, etc., please make your own judgment on this product's suitability after a full evaluation.

Note about interference

- This product generates, uses, and can radiate radio frequency energy and, if not installed and used in accordance with the instruction manual, may cause harmful interference to radio communications.
- If this equipment does cause harmful interference to radio or television reception, which can be determined by turning the equipment off and on, the user is encouraged to try to correct the interference by one or more of the following measures:
 - Reorient or relocate the receiving antenna for the radio/TV.
 - Increase the separation between the equipment and the radio/TV.
 - Connect the equipment into an outlet on a circuit different from that to which the receiver is connected.
 - Consult your dealer or an experienced radio/TV technician for help.
- Never disassemble or modify this product.
- Seiko Epson Corporation shall not be liable for interference to radio/TV resulting from changes or modifications to this product not expressly approved by Seiko Epson Corporation.

Open Source Software License

This product uses open source software in addition to Epson proprietary software.

For information of the open source software used in this product, see the following URL.

<http://xxx.xxx.xxx.xxx/licenses.html>

For “xxx.xxx.xxx.xxx” in the above URL, input your printer’s IP address.

About this Manual

Aim of the Manual

This manual provides developers/engineers with all the necessary information for design, development and installation of a POS system, and also design and development of a printer application.

Manual Content

The manual is made up of the following sections:

Chapter 1	Product Overview
Chapter 2	Setup
Chapter 3	Advanced Usage
Chapter 4	Application Development Information
Chapter 5	Handling
Chapter 6	Replacement of the TM-T88V
Appendix	Product Specifications Specifications of Interfaces and Connectors Bluetooth Low Energy Technology Advertising Character Code Tables

Contents

■ For Safety	3
Key to Symbols.....	3
Warnings	3
Cautions.....	4
■ Caution Labels	5
■ Restriction of Use	5
■ Note about interference	5
■ Open Source Software License.....	5
■ About this Manual	6
Aim of the Manual	6
Manual Content.....	6
■ Contents.....	7

Product Overview 13

■ Features	13
■ Product Configurations	15
Models.....	15
Accessories	15
■ Part Names and Functions	17
Control Panel	18
Connectors	19
Online and Offline.....	20
■ Status and Errors	21
Error Status	21
Status Display	22
■ NV Memory	24
NV Graphics Memory	24
User NV Memory	24
Memory Switches.....	24
R/E (Receipt Enhancement).....	24
Maintenance Counter.....	25
Web contents.....	25
■ Simple Setup for Wireless LAN	26
■ Useful Functions for Smart Devices.....	27
NFC Tag	27
QR Code.....	27

■ Printing Using Multiple Interfaces	28
--	----

Setup..... 29

■ Flow of Setup	29
■ Installing the Printer	30
Important Notes on Horizontal Installation	30
Important Notes on Wall Hanging	30
■ Adjusting the Paper Roll Near-End Sensor	31
■ Connecting the AC adapter	32
Connecting the AC adapter	32
■ Connecting the Printer to the Host.....	33
USB Interface.....	33
Ethernet Interface.....	33
Wireless LAN Interface	34
Bluetooth Interface	36
Serial Interface	40
Parallel Interface	40
USB Plus Power Interface	40
■ Connecting the Cash Drawer	41
Connecting the drawer kick cable.....	42
■ Setting the Built-in Buzzer (for Model with a Built-in Buzzer)43	
■ Connecting the Optional External Buzzer	44
Attachment Position.....	44
■ Connecting the Optional Wireless LAN Unit	45
■ Connecting the Optional Customer Display	45
■ Attaching the Connector Cover	46
■ Arranging the Cables.....	48
■ Attaching the Power Switch Cover	50
■ Changing the Paper Width	51
■ RTC Settings	52

Advanced Usage..... 53

■ Setting the DIP Switches.....	53
Setting Procedure.....	53
When a Serial Interface is Connected.....	55
When Another Interface is Connected	57
Selecting the Print Density (DIP Switches 2-3/2-4).....	58
Selecting the BUSY Status	58

■ Software Settings	59
Functions.....	61
■ Setting/Checking Modes	68
Self-test Mode	70
NV Graphics Information Print Mode.....	70
Receipt Enhancement Information Print Mode	71
Software Setting Mode	72
Restore Default Values Mode.....	74
Interface Setup Mode.....	76
TM-Intelligent Settings Information Print Mode	78
Peripheral Device Information Print Mode	78
Hexadecimal Dumping Mode	79
■ Printing a Status Sheet	80
■ Resetting the Interface Settings	83
■ TM-Intelligent Function	84
Server direct print	84
Web server	84
Spooler and Print Forwarding	85

Application Development Information.....87

■ Controlling the Printer	87
ePOS-Print XML.....	87
ESC/POS	87
■ Controlling the Cash Drawer	88
■ Controlling the Built-in Buzzer	89
■ Controlling the Optional External Buzzer	90
■ Software	91
Development Kits	91
Drivers	92
Utilities	92
Others.....	93
Download	93
■ Application Development and Distribution for iOS	94

Handling.....95

■ Installing and Replacing Roll Paper	95
■ Removing Jammed Paper	98
■ If Roll Paper Cover does not Open	100
■ Cleaning the Printer	101
Cleaning the Printer Case.....	101

Cleaning the Thermal Head/Platen Roller	101
■ Preparing for Transport	102

Replacement of the TM-T88V..... 103

■ Compatibility	103
Printing	103
Print Density	103
Number of Head Energizing Parts	103
Printable Area (for 80 mm Width Paper).....	103
Cutting Method.....	103
Manual Paper Feed	103
Receive Buffer	104
Memory Capacity	104
Electrical Characteristics	104
DIP Switches	104
Printer Status	104
Logo Registration	104
Driver Compatibility	104
USB Low Power Consumption Mode	104
Maintenance Counter	105
Buzzer	105
Power Supply Box.....	105
Overall Dimensions.....	106
■ Additional Functions and Functional Improvements	107
Print Speed.....	107
Interface	107
SimpleAP Function.....	107
NFC.....	107
Epson TM Utility for iOS/Android.....	107
Software Settings	108
TM-Intelligent function	108

Appendix..... 109

■ Product Specifications	109
Printing Specifications	110
Character Specifications.....	111
Printable Area.....	112
Printing and Cutting Positions.....	114
Paper Specifications	115
Electrical Characteristics	116
Environmental Conditions	117
External Dimensions and Mass.....	118
Network Printer	120
■ Specifications of Interfaces and Connectors	121
USB Interface.....	121

Ethernet Interface	122
Wi-Fi Interface.....	123
Bluetooth Interface.....	125
RS-232 Serial Interface.....	128
IEEE 1284 Parallel Interface.....	131
NFC Tag	133
■ Bluetooth Low Energy Technology Advertising.....	134
Introduction	134
Dongle specifications	134
Procedure.....	134
Changing the Bluetooth Low Energy Technology Advertising Packet.....	135
■ Character Code Tables.....	146



Product Overview

This chapter describes features of the product.

Features

Printing

- High speed printing (350 mm/s maximum).
- Shifting from 80 mm width paper printing to 58 mm width paper printing is available.
- Multi-tone graphic printing.

Handling

- Easy drop-in paper loading

Software

- TM-Intelligent function is equipped.
 - Supports Server Direct Print that sends a request for print data from the product to the Web server at regular intervals.
 - Since print data can be saved in the spooler, applications can be released from processing print jobs regardless of the printer status.
 - When a network printer is registered, print forwarding process can be realized. Also, if the printer is not ready to print, you can print from another printer.
 - Equipped with Web server that supports the scripting language "PHP" and database "SQLite3".
- Command protocol is based on the ESC/POS Proprietary Command System.
- OPOS ADK, OPOS ADK for .NET, JavaPOS ADK, and Windows printer drivers are available.
- In addition to supporting several kinds of bar code printing, DS1 DataBar printing and two-dimensional symbol (PDF417, QR code, MaxiCode, Composite Symbology) printing are possible.
- A maintenance counter function is supported.
- Various utility software are available.
- A utility for iOS/Android™ (Epson TM Utility for iOS/Android) for making printer settings is also provided.

Environment

- Compliant with International ENERGY STAR Program.
- Paper saving function is available.

Functions

- NFC tag built into the printer unit for printing to a touched printer.
- Printing triggered by bar code scan by smart device camera.

- Supports printing using multiple interfaces.
- Enables HTTPS communication.

Others

- Various interface models are available.
- Optional Wireless LAN cable set, customer display, external buzzer, and interface boards are available.
- Optional wall hanging bracket is available to attach the printer to a wall.
- The TM-T88VI Software & Documents Disc containing drivers, utility, and manuals is available.
 - * It may not be supplied depending on the model.

Product Configurations

Models

- Standard model: Ethernet interface, built-in USB interface , serial interface
- Parallel model: Ethernet interface, built-in USB interface , parallel interface
- USB Plus Power model: Ethernet interface, built-in USB interface , USB Plus Power Interface
- Wi-Fi[®] model: Ethernet interface, built-in USB interface , Wireless LAN interface
- Bluetooth[®] model: Ethernet interface, built-in USB interface, *Bluetooth* interface



Never use interface board with a buzzer function on this product.

Otherwise, the printer or the interface board may be damaged.

The name of interface boards with a buzzer function has "A" at the end.

Example) UB-E**A, UB-R**A (*: alphanumeric character)

Accessories

Included

- Roll paper (for operation check)
- Power switch cover
- Connector cover
- Screw for attaching the Connector cover (x1)
- Bottom cover for the Connector cover
- Screw for attaching the Bottom cover for the Connector cover (x2)
- Roll paper guide
- Screw for attaching the roll paper guide (x1)
- TM-T88VI Software & Documents Disc (drivers, utilities, and documentation) *
- AC adapter*
- AC cable*
- Warranty certificate*
- Setup Guide

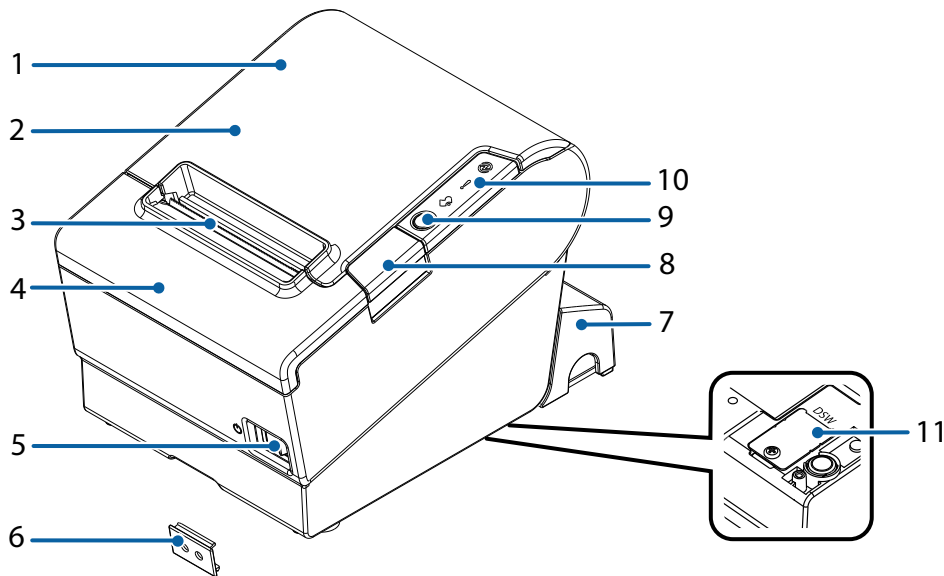
* May not be included depending on the model.



Options

- AC adapter
- AC cable
- Power supply box (Model: OT-BX88VI)
- Wall hanging bracket (Model: WH-10)
- Interface boards (UB series)*
- Optional external buzzer (Model: OT-BZ20)

-
- Wireless LAN cable set (Model: OT-WL02/OT-WL05)
 - Customer display (Model: DM-D30, DM-D110)
- * UB-E**A and UB-R**A cannot be used.

Part Names and Functions



1	NFC Tag	A mark is printed here to indicate the position of the NFC tag. To establish communication with an NFC device, bring the device close to this mark. For details on functions that use the NFC tag, refer to " Useful Functions for Smart Devices " on page 27. <ul style="list-style-type: none"> • There is no data rewriting function. • Use Epson ePOS SDK to build this function into your application.
2	Roll paper cover	Open this cover to install/replace the roll paper.
3	Manual cutter	Use this cutter when you cut the roll paper manually.
4	Cutter cover	Open this cover to unlock the autocutter blade when the roll paper cover does not open due to a paper jam.
5	 Power switch	Turns the printer on or off.
6	Power switch cover	Install the power switch cover onto the printer to prevent inadvertent changing of the power switch, to prevent tampering, and to improve the appearance of the printer. To operate the power switch, insert an object with a pointed tip such as a ballpoint pen into the hole on the power switch cover. For attaching the power switch cover, refer " Attaching the Power Switch Cover " on page 50.
7	Connector cover	Use the printer with this cover attached to protect cables.
8	Cover open button	Use this button to open the roll paper cover.
9	 Feed button	Pressing this button once feeds roll paper for one line. Hold down this button to continue feeding roll paper.
10	Control Panel	For details on LED, see " Control Panel " on page 18.
11	Dip switch cover	Open the cover to view the dip switches for communication settings.

Control Panel

Power LED

- Lights when the power supply is on.
- Off when the power supply is off.
- Flashes during the network to start up, when waiting for power off, or updating firmware.

CAUTION

Do not turn on by using the power switch while waiting for the power to turn off (when the Power LED is flashing). Otherwise, it may not startup correctly.

Error LED

- Lights or flashes when an error occurs. (For information about the flashing patterns, see "[Status and Errors](#)" on page 21.)
- Lights after the power is turned on or after a reset (offline). Automatically goes out after a while to indicate that the printer is ready.
- Off when the printer is in standard mode (online).

Paper LED

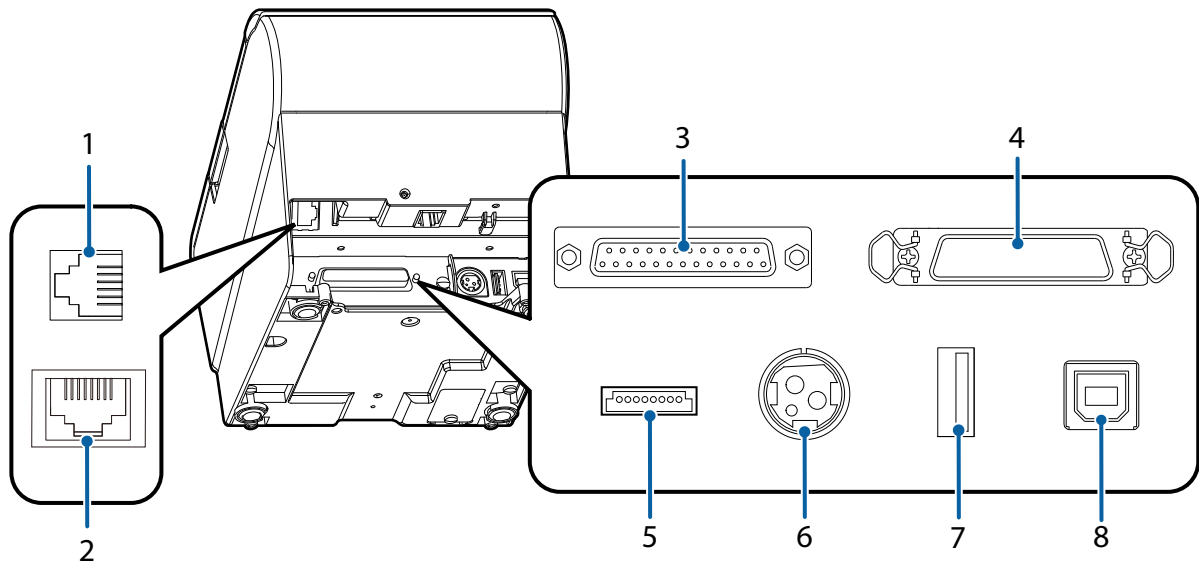
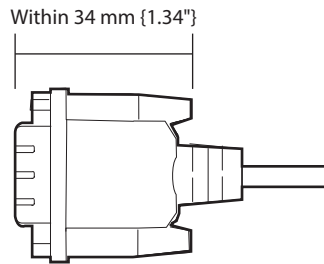
- Lights when the roll paper is out.
- Flashes to urge user to operate the Feed button.

Connectors

All connectors are located on the lower rear of the printer.

CAUTION

- The installed interface varies depending on the model.
- Do not insert a Type-B USB connector into the LAN connector or the drawer kick connector. If it is inserted, the connector, printer, and the system may malfunction.
- If using the drawer kick connector and a serial/parallel connector simultaneously, we recommend using either of the cables below to prevent the cables from interfering with one another.
 - * Flat-type drawer kick cable
 - * Serial/parallel cable with a connector (from the tip to the screw) that is within 34 mm {1.34"}.



1	Drawer kick connector	Connects the cash drawer or the optional external buzzer. See "Connecting the Cash Drawer" on page 41, and "Connecting the Optional External Buzzer" on page 44.
2	Ethernet connector	Connects the 10BASE-T/100BASE-TX ethernet cable.
3	Serial interface	Connects the serial cable for connecting to a computer.
4	Parallel interface	Connects the parallel cable for connecting to a computer.
5	USB Plus Power Interface	Connects the USB Plus Power cable for connecting to a computer.
6	Power supply connector	Connect the AC adapter. See "Connecting the AC adapter" on page 32.
7	USB connector	Use only for connecting optional Wireless LAN unit and customer display.
8	USB connector (Type B)	Connects the USB cable for connecting to a computer. See "Connecting the Printer to the Host" on page 33.

Online and Offline

Online

The printer is online and ready for normal printing unless there is a reason to go offline.

Offline

The printer automatically goes offline under the following conditions:

- While the printer power is turning on/off
- While a self-test is running
- While roll paper is fed using the Feed button
- When the printer stops printing due to a paper end (when the paper out detector detected the paper out)
- During an operation standby state
- When an error has occurred (See "[Status and Errors](#)" on page 21)
- While the roll paper cover is open

Status and Errors

Error Status

There are three possible error types: automatically recoverable errors, recoverable errors, and unrecoverable errors.

Automatically Recoverable Errors

Printing is no longer possible when automatically recoverable errors occur. They can be recovered easily, as described below.

Error	Error description	Error LED flash code	Recovery measure
Roll paper cover open error	The roll paper cover was opened during printing.	<p>LED ON → LED OFF → Approx. 320 ms → ←</p>	Recovers automatically when the roll paper cover is closed.
Print head temperature error	A high temperature outside the head drive operating range was detected.	<p>LED ON → LED OFF → Approx. 320 ms → ←</p>	Recovers automatically when the print head cools.
TM-Intelligent function error	Cannot connect to the server.	<p>Error LED OFF Power LED ON → LED OFF → Approx. 160 ms → ← Approx. 5120 ms → ←</p>	Recovers automatically when the printer settings are corrected. (see "TM-Intelligent Function" on page 84).

Recoverable Errors

Printing is no longer possible when recoverable errors occur. They can be recovered easily by turning the power on again or sending an error recovery command from the driver after eliminating the cause of the error.


Error	Error description	Error LED flash code	Recovery measure
Autocutter error	Autocutter does not work correctly.	<p>LED ON → LED OFF → Approx. 320 ms → ← Approx. 5120 ms → ←</p>	Remove the jammed paper or foreign matter in the printer, close the roll paper cover, send the error recovery command, or turn the power on to recover.



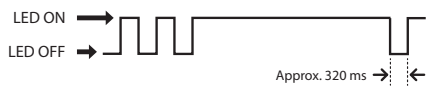


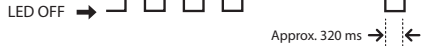

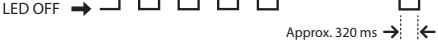



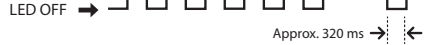
CAUTION

The error recovery command is valid only if a recoverable error (excluding automatically recoverable errors) occurs.

Unrecoverable Errors

Printing is no longer possible when unrecoverable errors occur. The printer must be repaired.

 CAUTION	Turn off the power immediately when unrecoverable errors occur.
---	---

Error	Error description	Error LED flash code
Memory R/W error	After R/W checking, the printer does not work correctly.	LED ON →  LED OFF →  Approx. 320 ms → ←
High voltage error	The power supply voltage is extremely high.	LED ON →  LED OFF →  Approx. 320 ms → ←
Low voltage error	The power supply voltage is extremely low.	LED ON →  LED OFF →  Approx. 320 ms → ←
CPU execution error	The CPU is executing an incorrect address.	LED ON →  LED OFF →  Approx. 320 ms → ←
Internal circuit connection error	Internal circuits are not connected correctly.	LED ON →  LED OFF →  Approx. 320 ms → ← Approx. 5120 ms → ←
Communication unit error	An error has occurred in the communication unit.	LED ON →  LED OFF →  Approx. 320 ms → ←

Status Display

	Power LED	Error LED	Paper LED
Online	ON	OFF	OFF
Initializing after restarting	ON	ON	-
Running a self-test	ON	OFF	-
Waiting to continue self-test	ON	OFF	Flashing
Feeding using the Feed button	ON	OFF	-
Waiting to execute a macro	ON	OFF	Flashing
Roll paper cover open during error printing	ON	ON	-
No paper	ON	ON	ON

	Power LED	Error LED	Paper LED
Paper near end	ON	OFF	ON
While updating firmware	Flashing	OFF	OFF
Power off standing by	Flashing	OFF	OFF
Waiting to print status sheet	ON	ON	Flashing

-: Changes depending on whether or not paper is detected.

NV Memory

The printer's NV memory (Non-Volatile Memory) stores data even after the printer power is turned off. NV memory contains the following memory areas for the user:

- NV graphics memory
- User NV memory
- Memory switches
- R/E (Receipt Enhancement)
- Maintenance counter
- Web contents



NV memory can be rewritten about 100,000 times. As a guide, NV memory rewriting should be 10 times or less a day when you program applications.

NV Graphics Memory

Graphics, such as shop logos to be printed on receipts, can be stored. Even with a serial interface model whose communication speed is low, high speed graphics printing is possible.

Use the Setup Utilities to register graphics.

You can confirm the registered graphics in the NV graphics information print mode.



- For detailed information about the Epson TM-T88VI Utility for Windows, see the TM-T88VI Utility User's Manual.
- For information about how to use the NV graphics information print mode, see "[NV Graphics Information Print Mode](#)" on page 70.

User NV Memory

You can store and read text data for multiple purposes, such as for storing a note including customizing or maintenance information of the printer.

Memory Switches

With the memory switches, which are software switches for the printer, you can configure various settings of the printer. For information about the memory switch, see "[Software Settings](#)" on page 59.

R/E (Receipt Enhancement)

Graphics, such as shop logos to be printed on top or bottom of receipts can be registered.

Use the Setup Utilities to register graphics.

Maintenance Counter

With this function, printer information, such as the number of lines printed, the number of autocuts, and printer operation time after the printer starts working, is automatically stored in NV memory.

NOTE

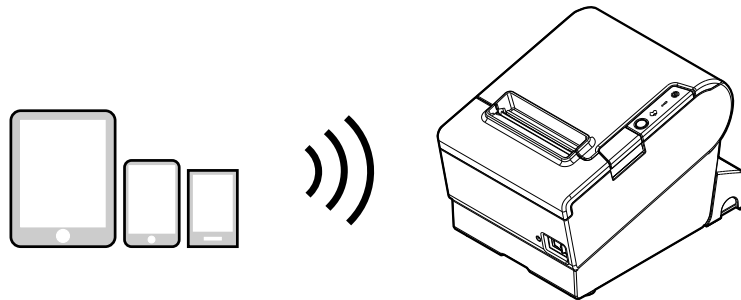
You can also check the head running length and number of times of autcutting with the self-test (see ["Self-test Mode" on page 70](#)).

Web contents

The region for Web servers.

Simple Setup for Wireless LAN

This printer comes with a mode (SimpleAP) that allows printers to connect with a smart device or a computer without requiring a wireless access point. This allows you to easily setup a wireless LAN for the printer by using a printer settings tool (Epson TM Utility for iOS/Android or EpsonNet Config) even without a network environment such as access points.

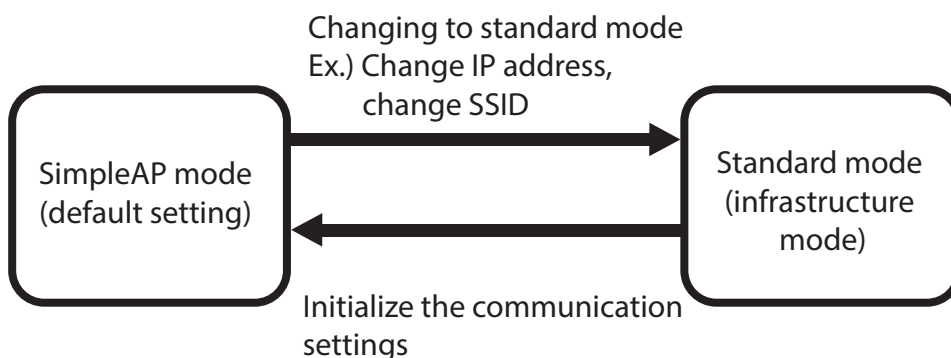


SimpleAP mode is enabled by default when shipping from the factory. When SimpleAP mode is enabled and the printer is turned on, the following information is printed automatically.

```
SimpleAP Start
SSID       : EPSON_Printer
Encryption Type : WPA-2-PSK
Passphrase  : 12345678

IP Address   : 192.168.192.168
MAC Address  : xx-xx-xx-xx-xx-xx
```

Although operations are performed in SimpleAP mode during the initial startup, operations switch to standard mode (infrastructure mode) when changing settings in Epson TM-T88VI Utility for Windows or EpsonNet Config. After switching, operations continue in standard mode. If you want to make settings in SimpleAP mode again, initialize the communication settings (see "[Resetting the Interface Settings](#)" on page 83).



* You can also set as standard mode (Adhoc mode)

Useful Functions for Smart Devices

You can easily connect this product to the network by using the NFC tag built-in to the printer or the QR code printed on the status sheet.

NFC Tag

Bring a smart device that supports NFC close to the NFC tag to acquire the printer information (information for specifying the device).

Specify the target printer using the acquired information to connect to the network.

QR Code

Capture the QR code printed on the status sheet with the camera on your smart device to acquire the printer information (information for specifying the device).

Specify the target printer using the acquired information to connect to the network.

NOTE

- Programming using Epson ePOS SDK is required to use these functions. These functions are created by combining NFC touch and QR code capturing operations and the target printer specifications using Printer Easy Select API. See the "Epson ePOS SDK for Android/iOS User's Manual" and the Epson ePOS SDK sample program for more details. The sample program also contains a sample implementation method for reading an NFC tag and capturing a QR code.
- You can try a demo of these functions by using Epson TM Utility for iOS/Android.

Printing Using Multiple Interfaces

In printers with multiple interfaces, you can use all interfaces without any limitations on which interface is to be used. You can use this function to temporarily connect a smart device to a nearby printer and print.

The printer provides each interface with an independent receive buffer and switches the active interface depending on the priority, while handling data in each receive buffer.

You can set one interface for the main connection. Data received from the main connection interface is handled with the highest priority.

By default, the interface that receives the first data transfer is set as the main connection interface; however, you can select the main connection interface in advance.

In the status where all receive buffers are empty for more than the set time (1 second by default), interface switching is enabled. The interface that receives the data in this status becomes active.

CAUTION

You cannot use wired and wireless LANs at the same time. When a LAN cable is connected, wireless LAN is disabled.

NOTE

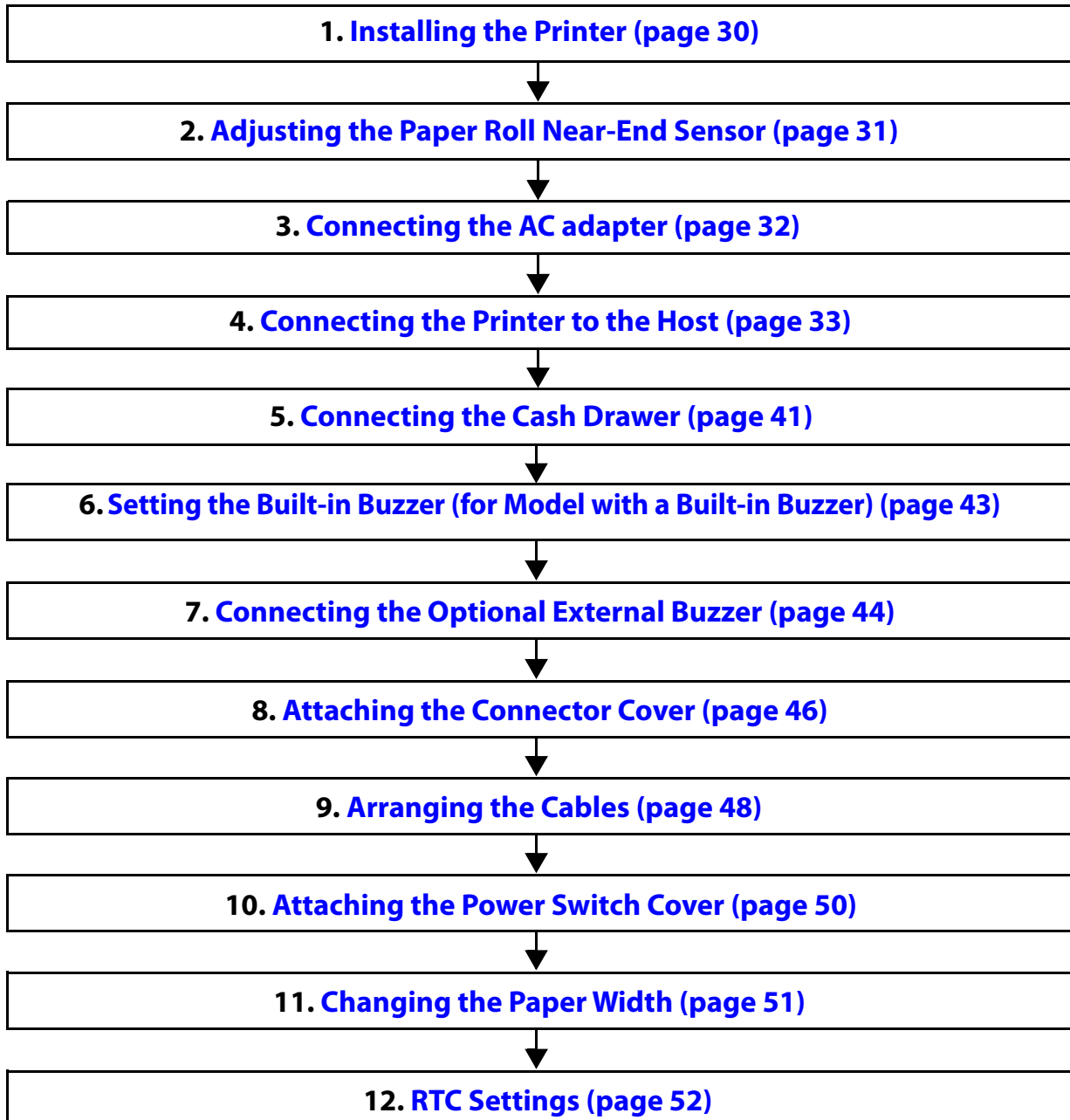
You can select the main connection interface and set the time to enable interface switching from the software settings. For details on software settings, see ["Software Settings" on page 59](#).

Setup

This chapter describes setup and installation of the product and peripherals.

Flow of Setup

This chapter consists of the following sections along with the setup flow of the product and peripherals.



Installing the Printer

You can install this printer horizontally. With an optional hanging bracket (WH-10), you can also attach the printer to a wall.

Important Notes on Horizontal Installation

- The printer must be installed horizontally on a flat surface (not tilted).
- Do not place the printer in dusty locations.
- Do not catch cables or place foreign matter under the printer.

Important Notes on Wall Hanging

You need to perform the following tasks to install the printer on a wall. For more details, see the installation manual for the optional wall hanging bracket (WH-10).

- Installing the roll-paper stoppers
- Changing the location of the roll paper near-end sensor
- Attaching the connector cover
- Attaching the wall hanging bracket (WH-10)

For the other notes, see the installation manual for the optional wall hanging bracket (WH-10).

CAUTION

- Be sure to attach the connector cover when you install the printer on a wall using the wall hanging bracket.
- When installing on a wall using a wall mounting bracket, the status of the wireless signal for the wireless LAN unit may decline. In this situation, use an extension cable.

Adjusting the Paper Roll Near-End Sensor

Below are two situations where a roll paper NE sensor adjustment is required.

- To adjust the detection position to suit the diameter of the roll paper core used.
- To adjust the detection position of remaining amount of paper.

CAUTION

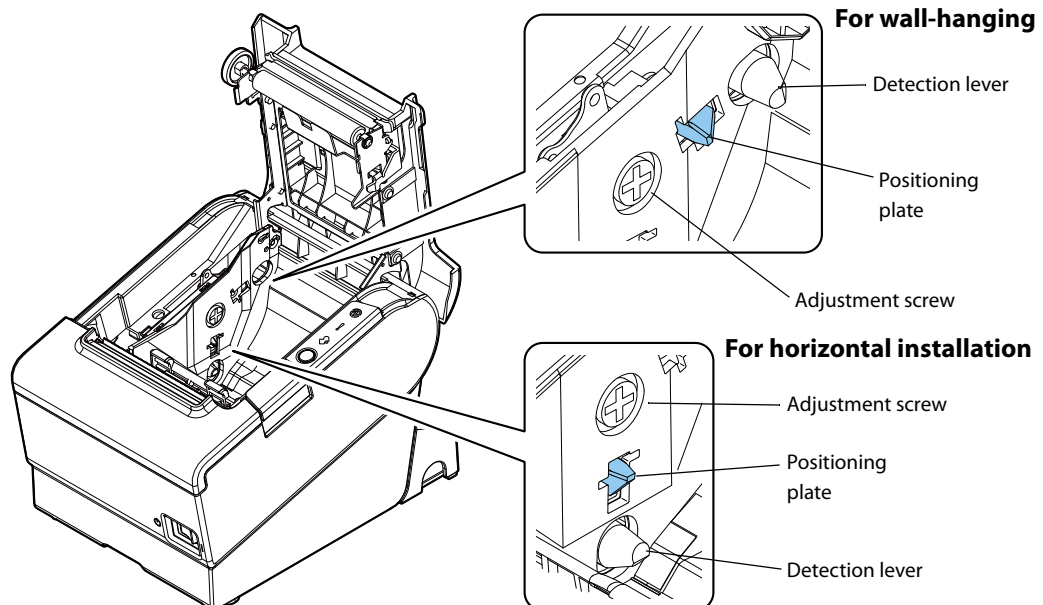
- Since roll paper cores vary slightly in shape, depending on paper roll design and manufacturing tolerances, it is impossible to detect the remaining paper exactly.
- Use roll paper with a core inner diameter of 12 mm {0.47"} and outer diameter of 18 mm {0.71"} so that the NE sensor can detect the remaining paper as accurately as possible.

Follow the steps below to adjust the roll paper near-end detector.

- 1 Open the roll paper cover, and remove the roll paper.
- 2 Loosen the adjustment screw fastening the sensor, and align the upper edge of the positioning plate with the adjustment position.

Adjustment position	Remaining amount of paper (outer diameter: mm)
Upper	Approx. 27 {1.06"}
Lower (Default setting)	Approx. 23 {0.97"}

- 3 Tighten the adjustment screw.
- 4 After adjustment, make sure that the detection lever operates smoothly.



Connecting the AC adapter

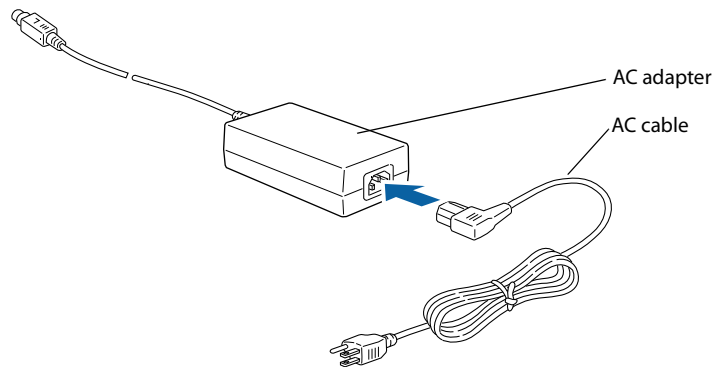
Use the Epson PS-180 or an equivalent product as the AC adapter.



- Never insert the AC cable plug into a socket that does not meet the input voltage of the AC adapter. Doing so may result in damage to the printer.
- Should a fault ever occur, immediately turn off the power to the printer and unplug the AC cable from the socket.

Connecting the AC adapter

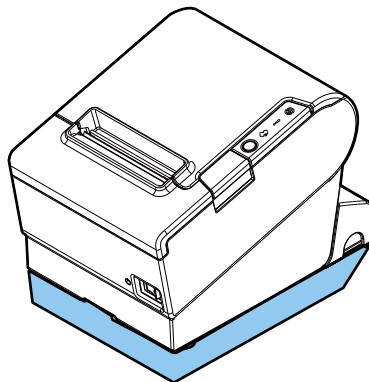
- 1 Make sure the printer is turned off.
- 2 Connect the AC cable to the AC adapter.



- 3 Connect the DC cable of the AC adapter to the power supply connector (stamped 24V).

NOTE

The optional power supply box (OT-BX88VI) is available. You can store the power supply unit in the box attached to the printer.



Connecting the Printer to the Host

CAUTION

- Be sure to install the driver before connecting the printer to the host computer.
- The printer uses modular connectors specifically designed for the cash drawer. Do not connect these connectors to an ordinary telephone line.

USB Interface

When using USB cable to connect with host device, connect the USB cable to the printer, and after starting the host device, turn the printer on.

CAUTION

Do not place any weight or stress on the cable when using. Doing so could damage the cable and connectors.

Ethernet Interface

Use ethernet cable to connect the printer to network via a hub.

Use Epson TM-T88VI Utility for Windows or EpsonNet Config to set network.

For details on Epson TM-T88VI Utility for Windows, refer to TM-T88VI Utility User's Manual.

For details on EpsonNet Config, refer to EpsonNet Config User's Guide.

CAUTION

- When LAN cables are installed outdoors, make sure they are connected through devices that have surge protection. Otherwise, the devices can be damaged by lightning.
- Never attempt to connect the drawer kick cable or a standard telephone line cable to the LAN connector.

NOTE

As same with Conventional models, you can use EpsonNet Config (Web version) in the same way.
User name/password: epson

Wireless LAN Interface

You can connect using a wired cable (LAN/USB), or connect using SimpleAP mode, and setup a wireless LAN using a network configuration tool. When setting up multiple printers, you can connect using a wired cable (LAN/USB) and setup a wireless LAN using the Epson Deployment Tool.

Using Epson TM Utility for iOS/Android, you can easily connect the printer to the network from an iOS or Android devices.

CAUTION

- When using wireless LAN, make sure you disconnect the LAN cable. If a LAN cable is connected, wireless LAN is disabled.
- When you set up the access point at the same time, set the access point in advance and check that it operates correctly.
- Examine the radio wave situation in the surrounding area before use.
- Avoid using the same channel that is used in the neighboring shops where Wireless LAN is used.
- Wireless LANs with a frequency band of 2.4 GHz interfere with *Bluetooth* communication. When using *Bluetooth* and Wi-Fi at the same time, we recommend using 5 GHz.
- When using the printer in environments where kitchen microwaves and other devices that may interfere radio waves are installed, observe the following points.
- Keep the printer away from the devices, such as kitchen microwaves, that may cause radio wave interference.
- Use channels that are away from the frequency bands that may cause radio wave interference.
- Place shields between the printer and the devices that may cause radio wave interference.
- Select either 2.4 GHz or 5 GHz, whichever is free from radio wave interference.
- In auto channel setting for the access point, do not select a channel in which the devices may cause radio wave interference.
- In the infrastructure mode, W53 and W56 channels are not available to connect to a stealth SSID access point.

NOTE

For SimpleAP mode, see "[Simple Setup for Wireless LAN](#)" on page 26.

Setting up Using a SimpleAP Connection from a Windows Computer

Necessary Items

Prepare the following items.

- Computer for setting: Windows 10/8/7/Vista
Computer equipped with a wireless LAN function
- Utility for setting: Epson TM-T88VI Utility for Windows or EpsonNet Config

Follow the steps below to connect the printer.

- 1 Turn on the printer.**
After starting the printer, check that the "SimpleAP Start" is printed. If it is not printed, you need to enable SimpleAP mode in interface settings mode.
- 2 Activate Windows Wireless Network Connection and select [EPSON_Printer] as the connection device on the screen that appears.**

If the window to enter a pass phrase appears, enter "12345678".

Default settings on printer are the following values.

Network mode	SimpleAP mode
SSID	EPSON_Printer
Pass phrase	12345678
IP Address	192.168.192.168

- 3 When connecting to the printer is complete, setup the Wireless LAN using the network setup tool, Epson TM-T88VI Utility for Windows or EpsonNet Config.**
For details about Epson TM-T88VI Utility for Windows, see TM-T88VI Utility User's Manual.
For details about EpsonNet Config, see EpsonNet Config User's Manual.
- 4 When setting the wireless LAN is complete, remove the wired cable (LAN/USB) and restart the printer.**

2

Setting up Using a USB Connection from a Windows Computer

Necessary Items

Prepare the following items.

- Computer for setting: Windows 10/8/7/Vista
- Utility for setting: TM-T88VI Utility for Windows
- USB cable

Follow the steps below to connect the printer.

- 1 Connect the printer to a PC via the USB cable.**
- 2 Turn on the host computer.**
- 3 Turn on the printer.**
- 4 Start up the TM-T88VI Utility for Windows.**

- 5 Select the printer, and then press the [OK] button.**
If the printer is not displayed, press the "Add Port" button, and then add the printer connected by USB.
- 6 Perform network I/F as well as TCP/IP settings.**
For details on the settings, see the TM-T88VI Utility User's Manual.
- 7 When you have finished making settings, disconnect the USB cable, turn off the printer, and then turn it back on.**

CAUTION

To start wireless LAN communication, be sure to disconnect the USB cable, turn off the printer, and then turn it back on.

Setting up from a Smart Device

Necessary Items

Prepare the following items.

- Device for setting: iOS or Android device
- Utility for setting: Epson TM Utility for iOS/Android

Running Epson TM Utility for iOS/Android

- 1 Run the Epson TM Utility for iOS/Android.**



- 2 Set from "Wi-Fi Setup Wizard" in the menu.**

Setup and Operation Workflow

1. Select the network you want to connect to.
2. Enter the passkey.
3. Perform a test print.

Bluetooth Interface

Use a tool, such as a built-in *Bluetooth* connection tool of your device to establish the connection with the printer. If your device is a Windows computer, use EPSON TM *Bluetooth*[®] Connector, which is a utility to easily pair a terminal and the printer. If your terminal is an iOS or Android terminal, use Epson TM Utility for iOS/Android to easily pair your terminal and the printer.

CAUTION

- If the host computer and the printer are not connected on a continuous basis but rather connected every time the printer starts printing, some time may be needed for the printer to actually start printing after the host computer commands printing. This pause is the time required for processing the connection between the host computer and the printer, and it depends on the conditions of the environment where used.
- If data transfer from an application of the host computer has already been completed, data might remain in the *Bluetooth* module internal buffer. As such data remaining in the buffer might be lost when the connection is cut off, use the status or similar functions to check that transmitted data has been completely printed before cutting off the wireless connection.

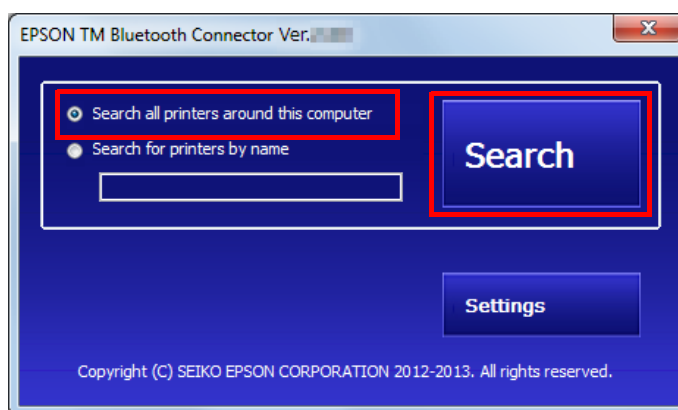
Setting up from a Windows Computer

NOTE

- For detailed information about EPSON TM *Bluetooth*® Connector, see the TM *Bluetooth*® Connector User's Manual.
- The device name and passkey are editable with the Setup Utilities.

Follow the procedure below and make the settings.

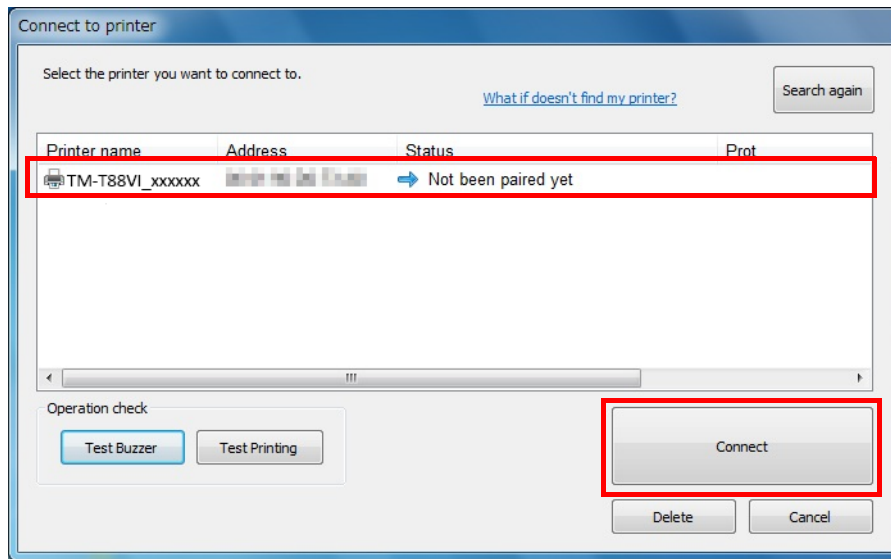
- 1 Have a *Bluetooth* wireless technology compatible computer ready.**
Make sure you have installed TM *Bluetooth*® Connector.
- 2 Turn on the printer.**
- 3 Start TM *Bluetooth*® Connector.**
- 4 Select [Search all printers around this computer], and then click [Search].**

**NOTE**

If the printer has not detected after clicking the Search button, check the manufacturer of the *Bluetooth* software.

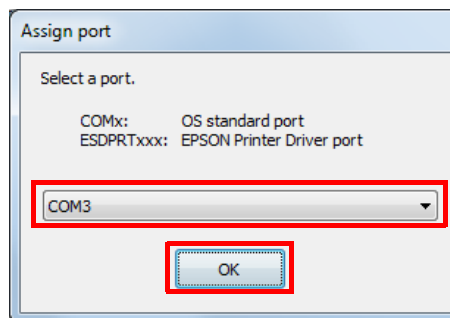
1. Open the Control Panel.
2. In the search box on the Control Panel, enter "Bluetooth", and then click Change Bluetooth settings.
3. In the Bluetooth Settings dialog box, click the Hardware tab, and then search for the Microsoft Bluetooth Enumerator. If it is not found, the *Bluetooth* software cannot detect the Epson *Bluetooth* printer, and you may not be able to connect to the computer.

- 5 Select the printer to be paired (→ Not been paired yet), and then click [Connect].



- 6 If the window to enter a passkey appears, enter a passkey and click [OK].

- 7 Select the port to be used from the pull-down list, and then click [OK].



Printing method	Port name
APD print queue	ESDPRTxxx (TM-T88VI: <i>Queue name</i>)
UPOS	ESDPRTxxx (UPOS for TM-T88VI)
ESC/POS command	Displayed virtual COM port (e.g. COM4)

- 8 The “Connection complete” window appears. Click [Test Printing] to check operation.

9 Click [Back to Main screen] to return to the main window.

10 Click the “x” button of TM *Bluetooth*® Connector to exit.

NOTE

- If “Error” is displayed when you click the [Search] on the TM *Bluetooth*® Connector, check whether:
 - The *Bluetooth* adapter is installed to the computer.
 - *Bluetooth* is ON in the Windows settings.
 - If the device is not displayed on the TM *Bluetooth*® Connector or the TM *Bluetooth*® Connector Status shows “✘” after pairing.
 - Check whether:
 - The printer is not turned on.
 - Turn on the printer.
 - The printer is 10 m or further away from the computer.
 - Confirm that there is no other wireless device, such as a microwave oven and cordless telephone, that can interfere with the *Bluetooth* printer.
 - If the printer and the computer are placed in different rooms separated by a wall, move the printer and/or the computer in the same room.
 - The printer may not be detected when the search time is short. Try search again with longer search time.
 - While a computer and printer are communicating, the printer cannot be detected by other computers. Confirm that the printer to be detected is not communicating with any computer.

2

Setting up from a Smart Device

Necessary Items

Prepare the following items.

- Device for setting: iOS or Android device
- Utility for setting: Epson TM Utility for iOS/Android

Running Epson TM Utility for iOS/Android

1 Run the Epson TM Utility for iOS/Android.



2 Set from “Bluetooth Setup Wizard” in the menu.

Setup and Operation Work flow

1. Select the printer you want to connect to.
2. Enter the passkey.
3. Perform a test print.

Serial Interface

When connecting to the host computer through a serial interface (RS-232), connect a serial cable to the printer, start the host computer, and then turn on the printer.

NOTE

- When using connectors equipped with screws, tighten the screws on both sides to secure the connectors firmly.
- When using interface cables equipped with a ground line, attach the ground line to the screw hole marked "FG" on the printer.

Parallel Interface

When connecting to the host computer using a parallel interface, connect the parallel cable to the printer, start the host computer, and then turn on the printer.

NOTE

When using interface cables equipped with a ground line, attach the ground line to the screw hole marked "FG" on the printer.

USB Plus Power Interface

When using a USB Plus Power cable to connect with the host device, connect the flat connector of the USB Plus Power cable to the printer, and the square connector to the device. After starting the host device, turn the printer on.

CAUTION

When using USB Plus Power Interface, be careful of the following points.

- Do not connect an AC adapter and USB (Type-B) simultaneously.
- Do not remove or insert the USB Plus Power cable while the printer is still on.

Connecting the Cash Drawer

CAUTION

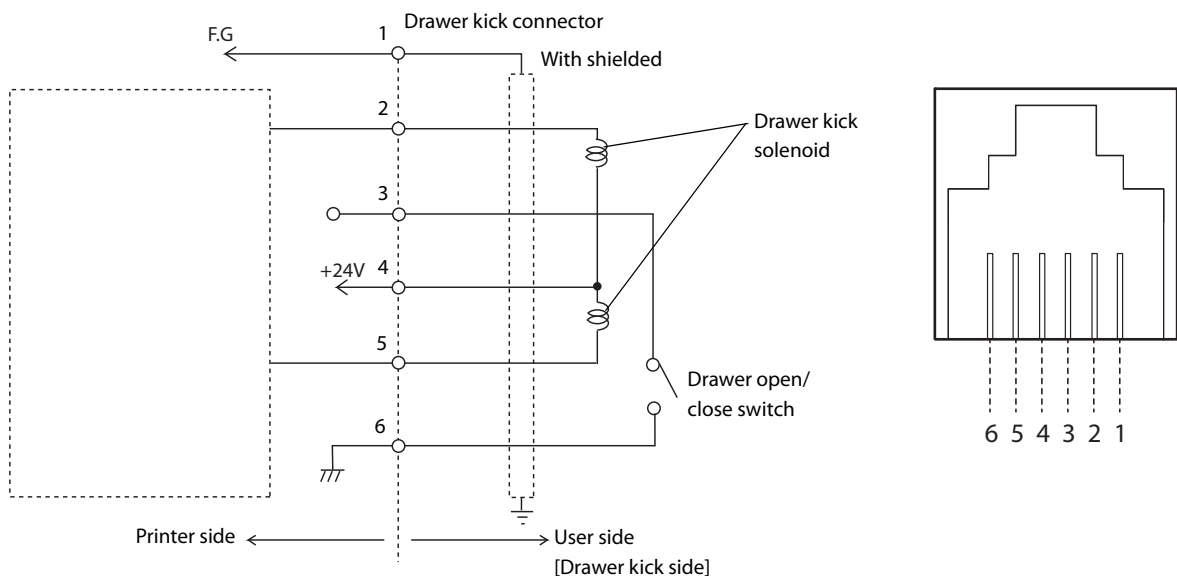
- Do not connect both the optional external buzzer and the cash drawer to the printer at the same time by using a branched connector.
- When the optional external buzzer is enabled with the memory switch (customized values) (see ["Software Settings" on page 59](#)), a cash drawer cannot be used. Be sure to disable it when you use a cash drawer.
- Two driver transistors cannot be energized simultaneously.
- Leave intervals longer than 4 times the drawer driving pulse when sending it continuously.

Specifications of drawers differ depending on makers or models. When you use a drawer other than specified, make sure its specification meets the following conditions.

Otherwise, devices may be damaged.

- The load, such as a drawer kick solenoid, must be connected between pins 4 and 2 or pins 4 and 5 of the drawer kick connector.
- When the drawer open/close signal is used, a switch must be provided between drawer kick connector pins 3 and 6.
- The resistance of the load, such as a drawer kick solenoid, must be $24\ \Omega$ or more or the input current must be 1A or less.
- Be sure to use the 24V power output on drawer kick connector pin 4 for driving the equipment.

Drawer Connection Diagram

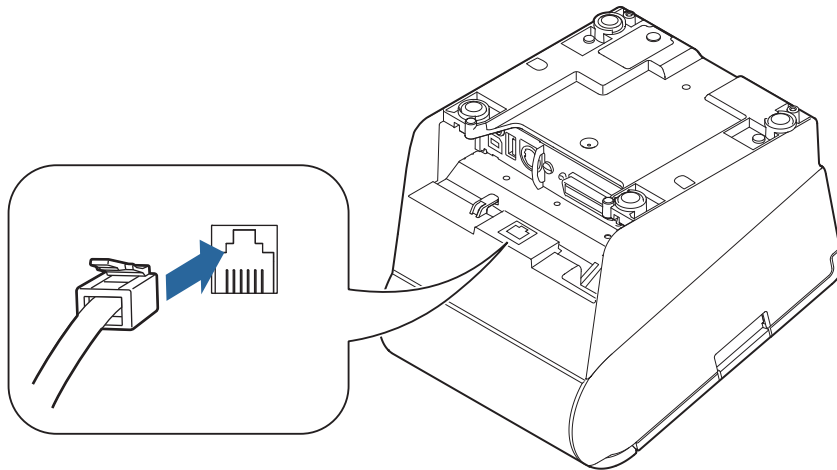


Connecting the drawer kick cable



- **Use a shield cable for the drawer kick cable.**
- **When using cash drawer, make sure to use the power supply for printer (connector pins 4).**
- **Do not insert a telephone line into the drawer kick connector.**
Doing so may damage the telephone line or printer.

Connect the drawer kick cable to the drawer kick connector by pressing firmly until the connector clicks into place.



Setting the Built-in Buzzer (for Model with a Built-in Buzzer)

For specifications with a built-in buzzer, a pulse output is sent to drawer kick connector pin 5 to beep the buzzer.

When using a cash drawer, connect a cash drawer operated by pin 2.

If you have to use a cash drawer operated by pin 5, change the DIP switch settings for the buzzer circuit.

For details, see ["Setting the DIP Switches" - "Setting Procedure" on page 53](#).

DIP Switch for Buzzer Circuit

DIP switch	Specified connector pin	ON	OFF	Default setting
1	Drawer kick connector pin 2	Buzzer beeps.	Buzzer does not beep.	ON
2	Drawer kick connector pin 5	Buzzer beeps.	Buzzer does not beep.	OFF

CAUTION

Do not set the buzzer to beep for pin numbers used for drawer operations. The buzzer and the cash drawer cannot be operated by one pulse signal.

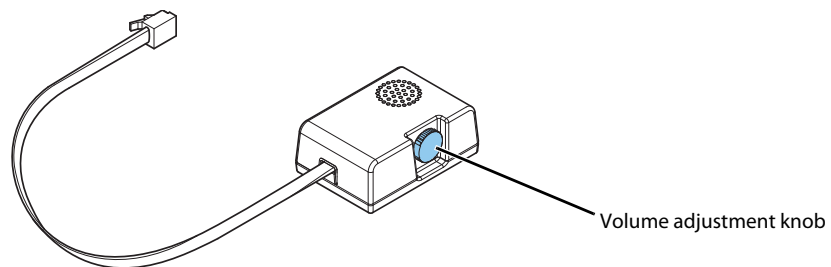
Connecting the Optional External Buzzer

When the optional external buzzer (model: OT-BZ20) is connected to the drawer kick connector of the printer, you can set the printer so that it beeps when you send commands, when an error occurs, when executed autocutting, and when detected paper end. Settings for sound patterns and frequency depending on the occasions the buzzer beeps are also available.

You need to set with the memory switch (customized values) for buzzer enable/disable setting, sound pattern setting, and frequency setting. For information about the memory switch (customized values), see "[Software Settings](#)" on page 59.

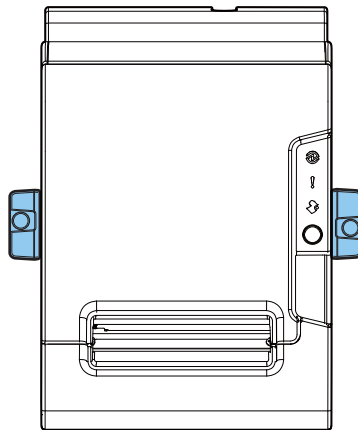
CAUTION

- Be sure to turn off the printer before you connect/disconnect the optional external buzzer.
- Do not connect both the optional external buzzer and the cash drawer to the printer at the same time by using a branched connector.



Attachment Position

The optional external buzzer is recommended to be installed in the following positions.



CAUTION

- Do not install the optional external buzzer at the roll paper exit.
- To prevent liquid from entering inside, it is recommended to install the optional external buzzer so that the volume adjustment knob is positioned sideways or downward.

Connecting the Optional Wireless LAN Unit

The optional Wireless LAN cable set (OT-WL02/OT-WL05) enables you to use the product with a Wi-Fi connection.

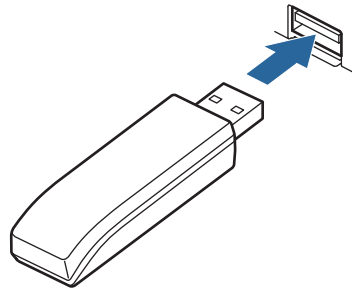
For more information, refer to Technical Reference Guide of the Wireless LAN cable set.

CAUTION

- Be sure to turn off the printer when connecting the Wireless LAN unit.
- Depending on the installation conditions of the printer and the routing for cables connected to it, the status of the radio waves for the Wireless LAN unit may decline. If this does happen, use an extension cable.

NOTE

- This option may be included with this product, depends on the models.
- The shape of the Wireless LAN unit varies depending on the model.



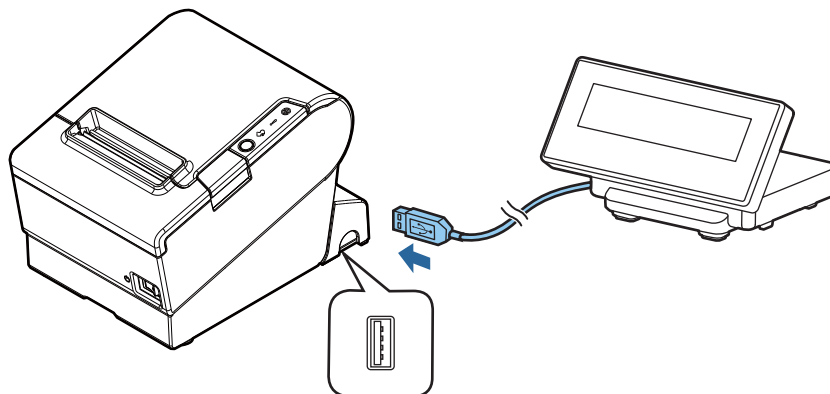
Connecting the Optional Customer Display

You can connect the customer display (DM-D30/DM-D110/DM-D210) to this product, using USB connection.

For more information, refer to the Technical Reference Guide of the customer display.

CAUTION

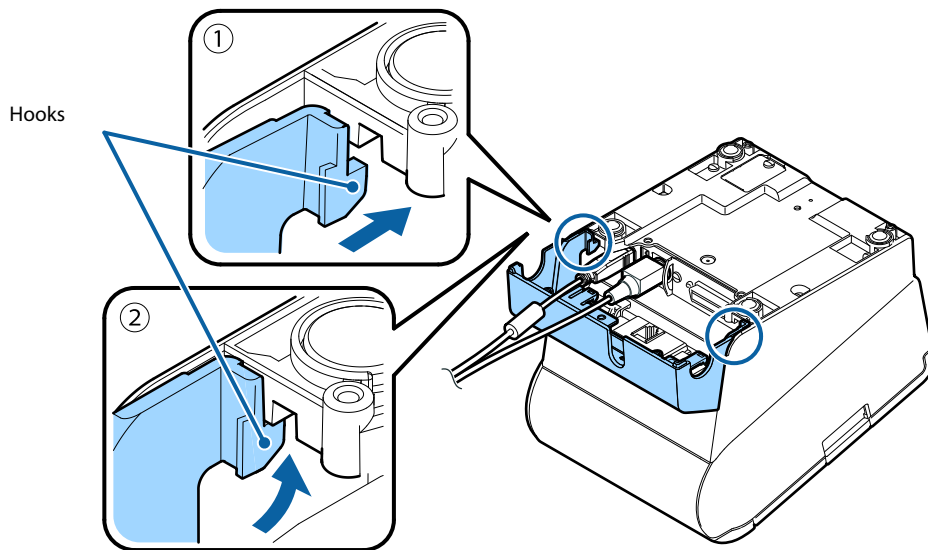
Be sure to turn off the printer when connecting the customer display.



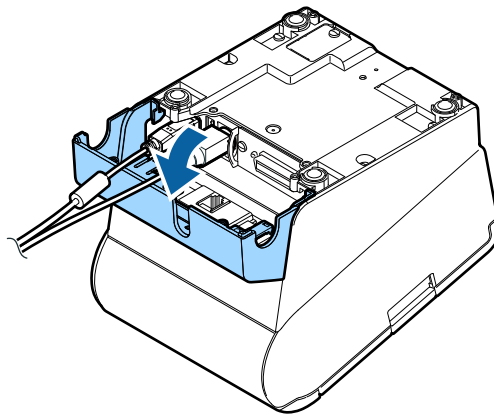
Attaching the Connector Cover

When using the connector cover, attach the connector cover.
Follow the steps below to attach the connector cover to protect cables.

- 1** Turn over the printer.
- 2** Position the two hooks on both sides of the connector cover so that they hook the printer case.



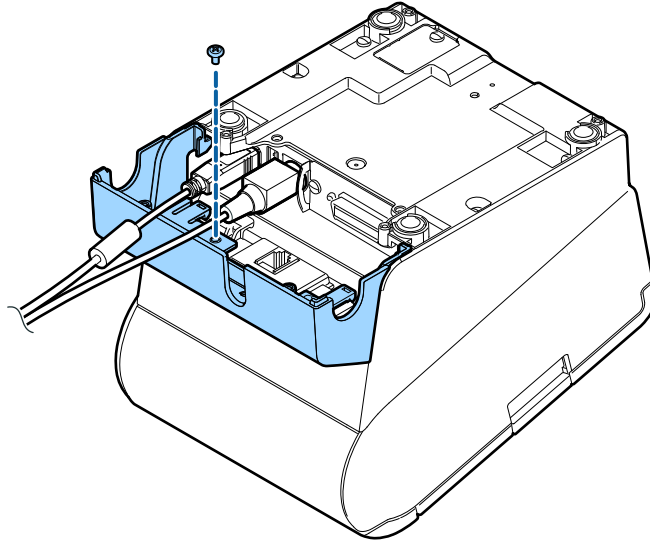
- 3** Push the connector cover down to click onto the printer case.



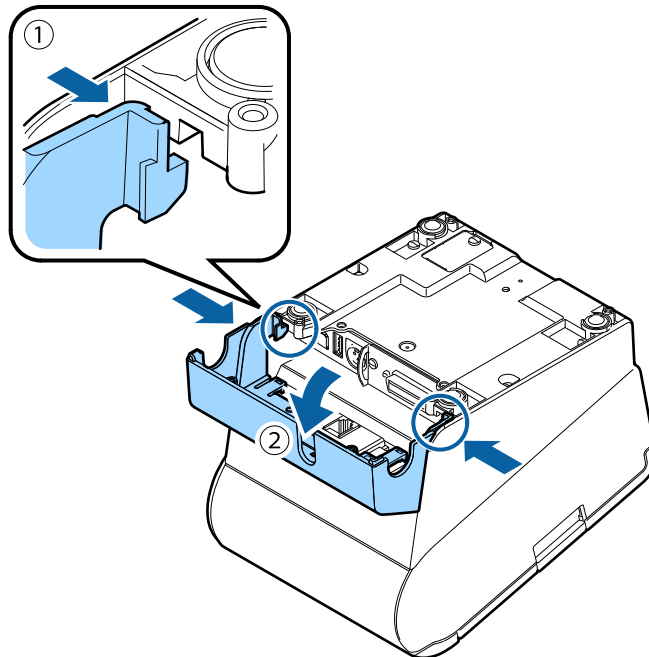
- 4** Pass each cable through the cable exits at the bottom of the connector cover.
- 5** Turn over the printer and make sure the cables are not pinched.

NOTE

- You can use the enclosed screw to fix the connector cover.



- To remove the connector cover, turn the printer over, remove the screw, and push the connector cover down while pushing both sides of the connector cover inward to detach the hooks from the printer case.

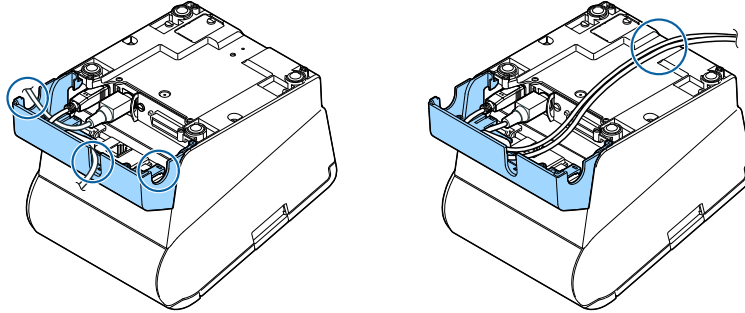


Arranging the Cables

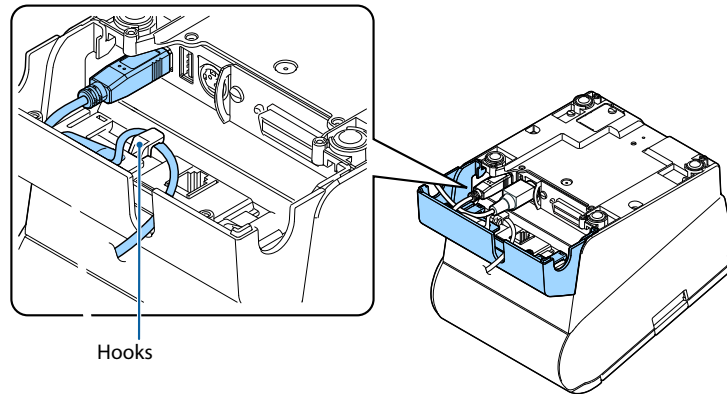
Route the cables when using the connector cover.

Pass the cables through cable exits in the connector cover. The connector cover has cable exits on the back and both sides.

You can also route the cables out the front by passing them through the notch in the printer bottom.

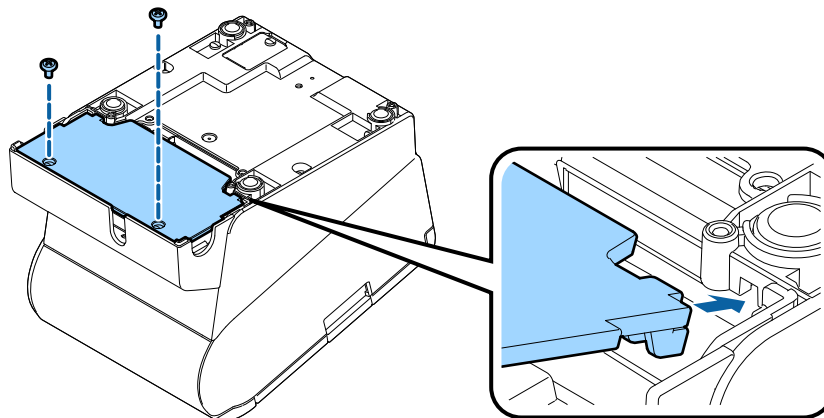


If you want to pass the USB cable through the cable exit on the back, fit the cable under the hook on the printer to prevent the cable from coming off and to prevent too much force being applied to the connector section.

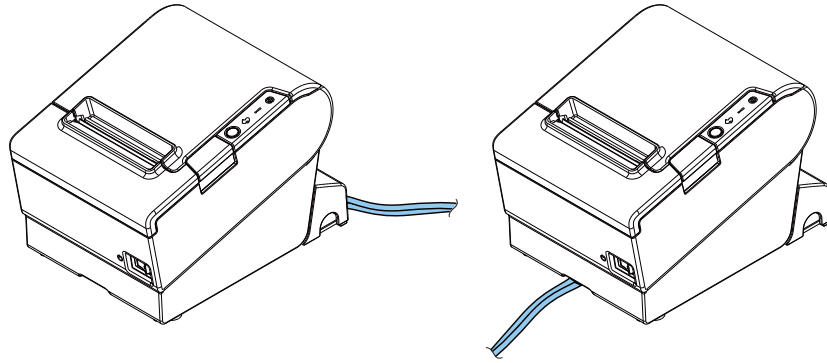


NOTE

You can also attach bottom cover to hide connectors.
Make sure the cable does not get caught when installing.



After the cable arrangement, turn over the printer, and make sure the cables are not pinched.



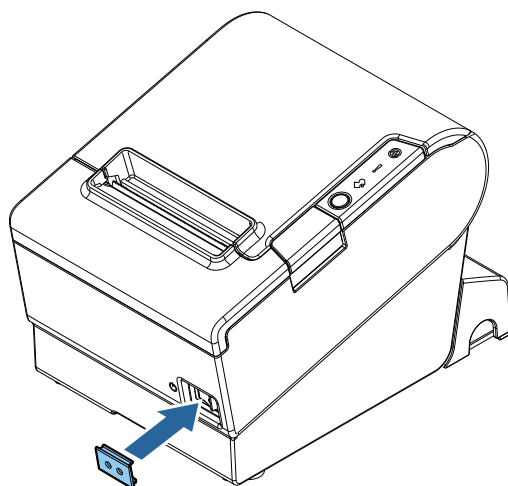
Attaching the Power Switch Cover

By attaching the power switch cover supplied, you can prevent accidental operations of the power switch. You can press the power switch by inserting a sharp-pointed object in the holes on the power switch cover. To detach the cover, use a sharp-pointed object.



WARNING

If an accident occurs with the power switch cover attached, unplug the power cord immediately. Continued use may cause fire or shock.



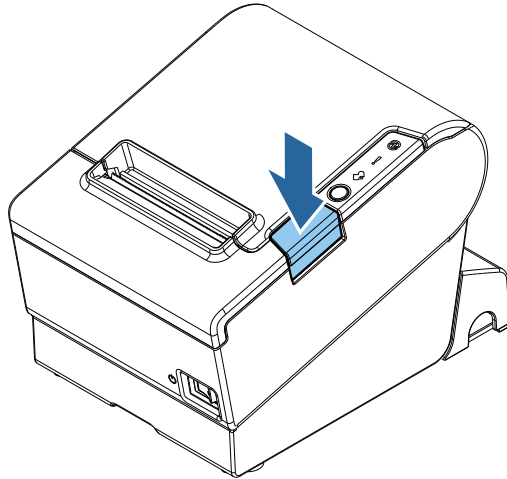
Changing the Paper Width

You can change the paper width from 80 to 58 mm by installing the included 58-mm width roll paper guides. Follow the steps below to change the paper width.

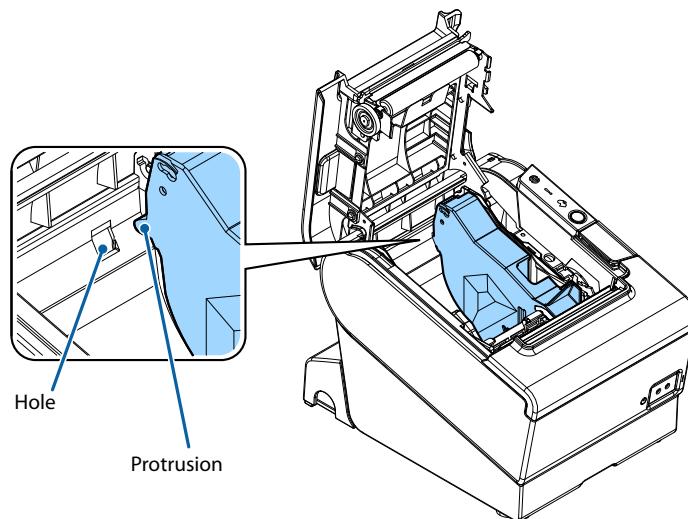
CAUTION

Turn off the printer when installing the roll paper guides.

1 Open the roll paper cover.



2 Install the roll paper guide so that the protrusion on the roll paper holder is aligned with the hole on the printer.



NOTE

You can use the enclosed screw to fix the roll paper guide.

CAUTION

After using the printer for an extended period at 58 mm, do not return to 80 mm. Parts of the print head that do not normally touch the paper may be damaged by the platen roller, and the autocutter may wear out.

3 Set the paper width in software setting mode.

For information about the software setting mode, see ["Software Settings" on page 59](#).

RTC Settings

The time for the RTC (Real Time Clock) may be initialized when starting up for the first time. If the time is initialized, make settings using the Setup Utilities.

For details on making settings using the Setup Utilities, see the TM-T88VI Utility User's Manual.

Advanced Usage

Setting the DIP Switches

On this printer, you can make various settings with DIP switches. The DIP switches are already set for the current interfaces. Change the setting if necessary. Functions of the DIP switches differ depending on the interface.

NOTE

For models with the buzzer function, see also "[Setting the Built-in Buzzer \(for Model with a Built-in Buzzer\)](#)" on page 43.

Setting Procedure

Follow the steps below to change the DIP switch settings.

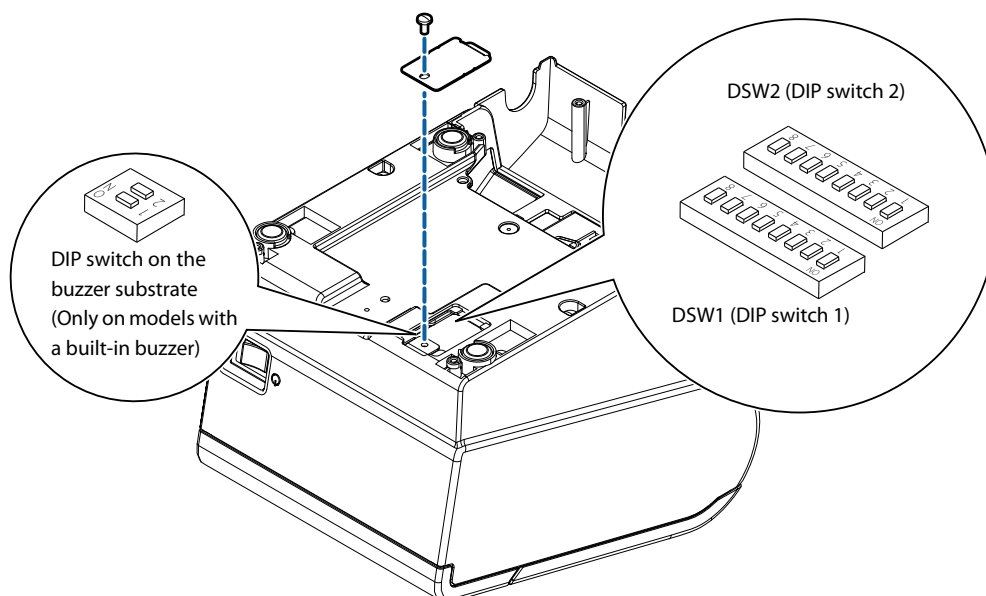


- **Before you remove the DIP switch cover, turn off the printer and disconnect all cables.** Otherwise, a short-circuit may cause the printer to malfunction.
- **If you open the DIP switch cover, be sure to close the cover and tighten the screw after adjusting the DIP switch.** Using this product with the cover open may cause fire or electric shock.

CAUTION

- DIP switch settings are enabled only when the power is turned on or the printer is reset via the interface. If the settings are changed after that, the functions will not change.
- Do not change switches that are fixed to ON or OFF. Otherwise, the printer may not operate normally.

- 1 Make sure the printer is turned off.**
- 2 Unscrew the screw to remove the DIP switch cover from the base of the printer.**



-
- 3** Set the DIP switches, using the tip of a tool, such as a small screwdriver.
 - 4** Replace the DIP switch cover, and screw it in place.

When a Serial Interface is Connected

DIP Switch Bank 1

SW	Function	ON	OFF	Default setting
1-1	Data reception error	Ignored	Prints "?"	OFF
1-2	Receive buffer capacity	45 bytes	4 KB	OFF
1-3	Handshaking	XON/XOFF	DTR/DSR	OFF
1-4	Word length	7 bits	8 bits	OFF
1-5	Parity check	Yes	No	OFF
1-6	Parity selection	Even	Odd	OFF
1-7	Baud rate selections	See the " Transmission Speed (DIP Switches 1-7/1-8) " table below.		ON
1-8				OFF

CAUTION

For DIP switch 1-2 (Receive buffer capacity), see also DIP switch 2-5 (Sets the release condition of the receive buffer BUSY state.)

Transmission Speed (DIP Switches 1-7/1-8)

Transmission speed (bps: bits per second)	SW 1-7	SW 1-8
Depends on the software setting mode settings.*	ON	ON
4800	OFF	ON
9600 (default)	ON	OFF
19200	OFF	OFF

bps: bits per second

* The default value of transmission speed set with software settings is 38400 bps. (See "[Software Settings](#)" on [page 59](#).)

NOTE

Depending on print conditions, such as print duty, print head temperature, and data transmission speed, print speed is automatically adjusted, which can cause white lines due to intermittent print (the motor sometimes stops). To avoid this, set the transmission speed higher or keep the print speed constant by setting it lower.

DIP Switch Bank 2

SW	Function	ON	OFF	Default setting
2-1	Handshaking (BUSY condition)	Receive buffer full	<ul style="list-style-type: none"> Offline Receive buffer full 	OFF
2-2	Reserved (Do not change setting)	Fixed to OFF		OFF
2-3 ~ 2-4	Selects print density	See "Selecting the Print Density (DIP Switches 2-3/2-4)" on page 58.		OFF
2-5	Sets the release condition of the receive buffer BUSY state. (The reception buffer capacity is effective when set to 4 KB.)	Releases the BUSY state when the remaining capacity of the receive buffer reaches 138 bytes.	Releases the BUSY state when the remaining capacity of the receive buffer reaches 256 bytes.	OFF
2-6	Reserved (Do not change setting)	Fixed to OFF		OFF
2-7	I/F pin 6 reset signal	Enabled	Disabled	OFF
2-8	IF pin 25 reset signal	Enabled	Disabled	OFF

CAUTION

- For DIP Switch 2-1 (BUSY condition), see also ["Selecting the BUSY Status" on page 58.](#)
- When you use the APD, change the setting of DIP switch 2-1 (BUSY condition) to ON.

When Another Interface is Connected

DIP Switch Bank 1

SW	Function	ON	OFF	Default setting
1-1	Auto line feed	Always enabled	Always disabled	OFF
1-2	Receive buffer capacity	45 bytes	4 KB	OFF
1-3	Selects paper sensors to output paper-end signals (default value of a command)	Disabled	Roll paper end sensor enabled, roll paper near-end sensor enabled	OFF
1-4	Error signal output	Disabled	Enabled	OFF
1-5 ~ 1-7	Undefined	—		OFF
1-8	USB power saving function	Disabled	Enabled*	OFF

*: This is enabled only in the following case.

- The interface selection is "Fixed to built-in USB" ("[Interface selection](#)" on page 65).
- The USB interface communication conditions are set to "Vendor-defined class" ("[USB class](#)" on page 66).
- The USB driver is a system configuration that can support USB power saving functions.

DIP Switch Bank 2

SW	Function	ON	OFF	Default setting
2-1	Handshaking (BUSY condition)	Receive buffer full	<ul style="list-style-type: none"> • Offline • Receive buffer full 	OFF
2-2	Reserved (Do not change setting)	Fixed to OFF		OFF
2-3 ~ 2-4	Selects print density	See " Selecting the Print Density (DIP Switches 2-3/2-4) " on page 58.		OFF
2-5	Sets the release condition of the receive buffer BUSY state. (This function is effective when DIP Switch 1-2 is set to off.)	Releases the BUSY state when the remaining capacity of the receive buffer reaches 138 bytes.	Releases the BUSY state when the remaining capacity of the receive buffer reaches 256 bytes.	OFF
2-6	Reserved (Do not change settings)	Fixed to OFF		OFF
2-7	Reserved (Do not change settings)	Fixed to OFF		OFF
2-8	If pin 31 reset signal ^{*1}	Fixed to ON		ON
	Reserved (Do not change settings)	Fixed to ON		ON
		Fixed to OFF ^{*2}		OFF

*1: Enabled for the parallel model only.

*2: Enabled for the USB Plus Power model and Bluetooth model only.

CAUTION

For DIP Switch 2-1 (BUSY condition), see also "[Selecting the BUSY Status](#)" on page 58.

Selecting the Print Density (DIP Switches 2-3/2-4)

Function	SW 2-3	SW 2-4
Do not set	ON	ON
Print density (standard)	OFF	OFF
Print density (medium)	ON	OFF
Print density (dark)	OFF	ON

CAUTION

- If the print density is set to "Medium" or "Dark" level, print speed may be reduced.
- The print density can be set with DIP switches (2-3/2-4) or the software settings. (See "[Software Settings](#)" on page 59.)

Selecting the BUSY Status

With DIP switch 2-1, you can select conditions for invoking a BUSY state as either of the following:

- When the receive buffer is full
- When the receive buffer is full or the printer is offline

CAUTION

In either case above, the printer enters the BUSY state after power is turned on (including resetting with the interface) and when a self-test is being run.

Printer BUSY Condition and Status of DIP Switch 2-1

Printer status		DIP SW 2-1	
		ON	OFF
Offline	During the period after power is turned on (including resetting with the interface) to when the printer is ready to receive data.	BUSY	BUSY
	During the self-test.	BUSY	BUSY
	When the cover is open.	—	BUSY
	During paper feed with the Feed button.	—	BUSY
	When the printer stops printing due to a paper-end (when printer has run out of roll paper).	—	BUSY
	When waiting for the paper Feed button to be pressed before macro execution.	—	BUSY
	When an error has occurred.	—	BUSY
When the receive buffer becomes full.		BUSY	BUSY

Software Settings

With the memory switches and customized values, which are software settings for this printer, you can set the various functions.

For an outline of the functions, see the following section. Use the Epson TM-T88VI Utility for Windows, Epson TM Utility for iOS/Android, or Software Setting Mode to set the memory switches.

NOTE

The software setting mode is the mode set using the printer's panel. For details on panel operations, see ["Software Setting Mode" on page 72](#).

Item\Method		Software Setting Mode	Epson TM-T88VI Utility for Windows	Epson TM Utility for iOS/Android
Memory Switches	Automatic line feed	✓	✓	✓
	USB power saving function	✓	✓	✓
	Paper sensors to output paper end signal	✓	✓	✓
	Error signal output	✓	✓	✓
Customized Values	Automatic paper reduction	✓	✓	✓
	Auto paper feed&cut at cover close	✓	✓	✓
	Buzzer function	✓	✓	
	Command execution during offline	✓	✓	✓
	Character code table defaults	✓	✓	
	International character defaults	✓	✓	
	Font A auto replacement	✓		
	Font B auto replacement	✓		
	Print density	✓	✓	✓
	Print speed	✓	✓	✓
	Column emulation mode	✓	✓	✓
	Print density during multi-tone printing	✓	✓	✓
	Power supply output	✓	✓	✓
	Paper width	✓	✓	✓
	Interface selection	✓	✓	✓
	Interface switch wait time	✓	✓	✓
	Main interface selection	✓	✓	✓
	Startup display	✓	✓	✓
Auto re-connect iOS	✓	✓	✓	
Baud rate	✓	✓		
USB class	✓	✓	✓	

Item\Method	Software Setting Mode	Epson TM-T88VI Utility for Windows	Epson TM Utility for iOS/Android
USB IEEE1284 device ID	✓		
Reset Bluetooth Settings	✓		
Restore & Delete Defined Data	✓		
Print Data Parsing setting ^{*1}	✓	✓	✓
Cut Error Release Method		✓	✓
Logo		✓	✓
ePOS-Print		✓	✓
ProxyInfo		✓	✓
Server Direct Print		✓	✓
Status Notification		✓	✓
Print Forwarding		✓	✓
Web Contents Updater		✓	✓
PHP		✓	✓
Document Path		✓	✓
Customer Display		✓	✓
Network CS Authentication		✓	✓
Network Dev Info		✓	✓
Ethernet Config		✓	✓
Wi-Fi Config		✓	✓
SSL/TLS Config		✓	
Certificate Config		✓	
TCP/IP Config		✓	✓
SNMP Config		✓	✓
Time Config		✓	✓
LPR Config		✓	✓
Port9100 Config		✓	✓
IP/Port Filter Config		✓	✓
Bluetooth communication interval during power saving mode ^{*2}	✓	✓	✓

*1: The setting item may not be available depending on the area.

*2: Enabled only under the following conditions.

Epson TM Utility for iOS/Android Ver.3.6.0 or later

Firmware Ver.40.10 ESC/POS or later

TM-T88VI Utility for Windows Ver.1.30 or later

Functions

Automatic line feed

- Normally disabled (default setting)
- Normally enabled

CAUTION

This is only enabled when using a serial interface. When using another interface, make settings by using the DIP switches.

USB power saving function

- Disabled
- Enabled (default setting)

CAUTION

Enabled when anything except for UB-U06/UB-R04/UB-IU01 is installed to the UIB.

NOTE

The USB power-saving function is valid only when the USB interface communication condition is set to the vendor-defined class and the system configuration is set so that the USB driver can support the USB power-saving function.

Paper sensors to output paper end signal

- Roll paper out detector (default settings)
- Disabled

CAUTION

When using a parallel interface, make settings by using the DIP switches.

Error signal output

- Enabled (default setting)
- Disabled

CAUTION

When using a parallel interface, make settings by using the DIP switches.

Automatic paper reduction

Extra upper space reduction

- Disabled (default setting)
- Enabled

Extra lower space reduction

- Disabled (default setting)
- Enabled

Line space reduction rate

- Not reduced (default setting)
- Reduce 25%
- Reduce 50%
- Reduce 75%

Line feed reduction rate

- Not reduced (default setting)
- Reduce 25%
- Reduce 50%
- Reduce 75%

Amount of reduction in character height

- Not reduced (default setting)
- Reduce 25%
- Reduce 50%
- Reduce 75%

Amount of reduction in barcode height

- Not reduced (default setting)
- Reduce 25%
- Reduce 50%
- Reduce 75%

Amount of top margin by backfeed

Selectable from levels 15 mm ~ 2mm (0.5 mm interval)

Default setting: level 15 mm

CAUTION

- Remove all ejected paper before printing with backfeed.
- Disable the automatic top logo setting when enabling backfeed.
- You cannot use backfeed in the following cases even if you have enabled backfeed.
 - * Immediately after auto cutting while the cover is closed.
 - * While the self-test is in progress.
- If setting a top margin of 5 mm {0.2"} or less, confirm that no errors occur in your environment of usage. Usage in a hot and humid environment or usage of paper that curls easily may increase the risk of paper jams.
- When implementing a backfeed, rubbing smears may occur due to slack in the paper. We recommend using thermal paper with high rub resistance.

Auto paper feed&cut at cover close

- Cuts
- Does not cut (default setting)

Buzzer function

NOTE

- For information about how to connect the optional external buzzer, see "[Connecting the Optional External Buzzer](#)" on page 44.
- When the optional external buzzer is enabled, a cash drawer cannot be used. Be sure to disable it when you use a cash drawer.

Enables/disables

- Disabled (default setting)
- Enabled

Buzzer frequency (Error)

- Does not sound
- Sounds 1 time
- Sounds continuously (default setting)

Sound pattern (Autocut)

Selectable from Patterns A to E

Default setting: Pattern A

Buzzer frequency (Autocut)

- Does not sound
- Sounds 1 time (default setting)

Sound pattern (Pulse 1)

Selectable from Patterns A to E

Default setting: Pattern A

Buzzer frequency (Pulse 1)

- Does not sound
- Sounds 1 time (default setting)

Sound pattern (Pulse 2)

Selectable from Patterns A to E

Default setting: Pattern B

Buzzer frequency (Pulse 2)

- Does not sound
- Sounds 1 time (default setting)

Command execution during offline

- Enabled
- Disabled (default settings)

Character code table defaults

Selectable from 43 pages including user defined page

Initial setting: PC437: USA, Standard Europe

International character defaults

Selectable from 18 sets

Initial setting: USA

Font A auto replacement

- Does not replace (default setting)
- Font B

Font B auto replacement

- Does not replace (default setting)
- Font A

Print density

Selectable from 70% to 130% (5% increment)

Default setting: 100%

Depending on the paper type, it is recommended to set the print density as shown in the table below for the best print quality.

Original Paper type	Density	Print speed
AF50KS-E	85%	13 (300 mm/sec)
KT55FA	100%	14 (350 mm/sec)
KT48FA	100%	13 (300 mm/sec)
F5041(55), F5041(48), P30521, P30523, P31523, P35524	105%	13 (300 mm/sec)

NOTE

- When the print density level is increased, print speed may be reduced. When printing at a density of 115% or more and below a room temperature of 15°C, the speed drops to less than 200 mm/sec.
- When setting the print speed to level 14, use customized values to set the print density.

Print speed

Selectable from levels 1 to 14 (Slow ~ Fast)

Default setting: level 13

CAUTION

- Print speed is restricted by the settings for the number of head electrification divisions. The maximum printing speed of 350 mm/s is only possible when 1 electrification division is selected.
- The maximum printing speed when using 58 mm is 300 mm/s.

NOTE

Depending on print conditions, such as print duty, print head temperature, and data transmission speed, print speed is automatically adjusted, which may cause white lines due to intermittent print (the motor sometimes stops). To avoid this, keep the print speed constant by setting it lower.

Column emulation mode

- Standard mode (default setting)
- 48 column mode

NOTE

This function is supported only on the ANK model.

Print density during multi-tone printing

Selectable from 70% to 130% (5% increment)

Default setting: 100%

Power supply output

Selectable from levels 1 to 3 low power load

Default setting: level 3

Paper width

- 80mm (default setting)
- 58mm

Interface selection

- Fixed to UIB
- Fixed to built-in USB
- Fixed to Ethernet (Wi-Fi)
- UIB/Bluetooth
- Built-in USB auto switch
- The entire interface is enabled (default setting)

Interface switch wait time

Select from 1 to 10 seconds (in intervals of 1 second)

1 second (default setting)

Main interface selection

- Auto (interface that receives data first) (default setting)
- UIB
- USB
- UIB/Bluetooth
- Ethernet/Wi-Fi
- No main connection I/F

CAUTION

- When using this printer with multiple interfaces, make sure the interface that is always connected to be set as the main connection.
- When using multiple interfaces, set the receive buffer capacity to 4 KB.
- You cannot use wired LAN and wireless LAN at the same time.

NOTE

- The displayed items vary depending on the interface configuration.
 - For information about the function, see ["Printing Using Multiple Interfaces" on page 28.](#)
-

Startup display

- Enabled
 - Disabled (default setting)
-

Auto re-connect iOS

- Enabled (default settings)
 - Disabled
-

Baud rate

- 2400 bps
 - 4800 bps
 - 9600 bps
 - 19200 bps
 - 38400 bps (default setting)
 - 57600 bps
 - 115200 bps
-

USB class

- Printer class (default setting)
 - Vendor-defined class
-

USB IEEE1284 device ID

- Do not output IEEE1284 Device ID
- Output IEEE1284 Device ID (default setting)

Print Data Parsing setting

- Disable (default)
- Enable

NOTE

The setting item may not be available depending on the region.

Bluetooth communication interval during power saving mode

- Level 1 (Standard) (Initial setting)
- Level 2 (Short)

NOTE

By changing the setting to "Level 2 (Short)," you can shorten the time until printing begins or the time until information is shown on the customer display connected to the printer. However, because the communication frequency increases, the power consumption of the printer and the host also increases. Also, depending on the host, this setting may not be enabled, and the host-specified communication interval may be used.

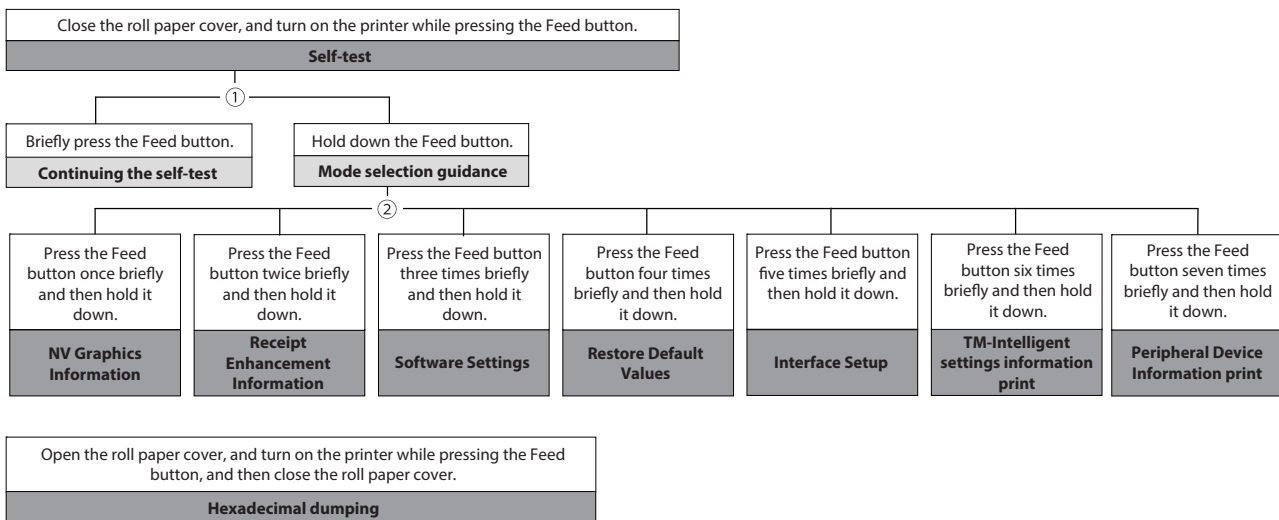
Setting/Checking Modes

As well as print mode, the following modes are also provided for making various printer settings and checking items.

- Self-test mode
- NV graphics information print mode
- Receipt Enhancement information print mode
- Software settings mode
- Restore default values mode
- Interface setup mode
- TM-Intelligent settings information print mode
- Hexadecimal dumping mode

The self-test mode or hexadecimal dumping mode is selected depending on the operation performed when the power is turned on.

NV graphic information print mode, Receipt Enhancement information print mode, Software settings mode, and Restore default settings mode are selected depending on the Feed button operation performed during a self-test.



In 1 and 2, the following guidances are printed, the Paper LED flashes, and instructs the user's operations.

1. Continuing self-test guidance

Select Modes by pressing Feed Button.
Continue SELF-TEST: Less than 1 second
Mode Selection : 1 second or more

2. Mode selection guidance

Mode Selection

Modes

- 0: Exit and Reboot Printer
- 1: NV Graphics Information
- 2: Receipt Enhancement Information
- 3: Customize Value Settings
- 4: Restore Default Values
- 5: Interface Setup
- 6: TM-Intelligent Information
- 7: Peripheral Device Information
- 8 or more: None

Select Modes by executing following procedure.

- step 1. Press the Feed button less than 1 second as many times as the selected mode number.
- step 2. Press Feed button for 1 second or more.

Self-test Mode

You can check the following items using the self-test.

- Product name
- Firmware version
- Product serial number
- Interface type
- Resident fonts
- Maintenance counter information (head running length, number of times of autocutting)
- Setting condition of the DIP switch

Follow the steps below.

- 1 Close the roll paper cover.**
- 2 While pressing the Feed button, turn on the printer. (Hold down the Feed button until printing starts.)**
After printing the current print status, a Continuing self-test guidance is printed, and the Power LED flashes.
- 3 Briefly press the Feed button (less than one second) to continue the self-test.**
The printer prints a rolling pattern on the roll paper, using the built-in character set.
After "*** completed ***" is printed, the printer initializes and switches to standard mode.

NV Graphics Information Print Mode

Prints the following NV graphic information registered to the printer.

- Capacity of the NV graphics
- Used capacity of the NV graphics
- Unused capacity of the NV graphics
- Number of NV graphics that are registered
- Key code, number of dots in X direction, number of dots in Y direction to be defined.
- NV graphics data

NOTE

For details on NV graphics, see ["NV Graphics Memory" on page 24.](#)

Follow the steps below.

1 After running a self-test, hold down the Feed button for at least one second, and then select the Mode selection.

The Mode selection guidance is printed, and the Paper LED flashes.

2 After briefly (less than one second) pressing the Feed button once, hold it down for at least one second, to print the NV graphics information.

After information printing, the Mode selection guidance is printed again.

3 To finish, turn off the power, or select "Exit and Reboot Printer".

Receipt Enhancement Information Print Mode

You can check the following items using the R/E information mode:

- Automatic top logo setting
- Automatic bottom logo setting
- Extended settings for automatic top/bottom logo

Follow the steps below.

1 After running a self-test, hold down the Feed button for at least one second, and then select the Mode selection.

The Mode selection guidance is printed, and the Power LED flashes.

2 After briefly (less than one second) pressing the Feed button twice, hold it down for at least one second, to print the R/E information.

After information printing, the Mode selection guidance is printed again.

3 To finish, turn off the power, or select "Exit and Reboot Printer".

Software Setting Mode

Set the printer's memory switches and customized values.

- Print density
- Auto reduction of amount of paper to use
- Enabling/disabling paper autocutting at cover close
- Paper width setting
- Auto replacement of font
- Print speed
- Command execution (offline)
- Specification for the top margin by backfeed
- Optional external buzzer control
- Interface setting
 - Communication conditions using a serial interface
 - Communication conditions using a USB interface
 - Interface switch wait time
 - Main interface selection
- Enabling/disabling Display when interface is activating
- Power supply capacity
- Automatic line feed
- Select paper sensor(s) to output paper-end signals
- ERROR signal when an error occurs

NOTE

For details on the memory switches and customized values, see "[Software Settings](#)" on page 59.

Follow the steps below.

1 After running a self-test, hold down the Feed button for at least one second to enter the Mode selection.

The Mode selection guidance is printed, and the Paper LED flashes.

2 Briefly press the Feed button three times (less than one second), hold it down for at least one second to enter the Software settings mode (Customized value setting).

The Software setting mode guidance is printed, and the Paper LED flashes.

Customize Value Settings

Modes

- 0: Exit
- 1: Print Current Settings
- 2: Print Density
- 3: Print Speed
- 4: Automatic Paper Reduction
- 5: Auto Paper Feed&Cut at cover close
- 6: Paper Width
- 7: Top Margin
- 8: Character/Font Settings
- 9: Interface Selection
- 10: Interface Settings
- 11: Command Execution (Offline)
- 12: Power Supply Output
- 13: Other Settings

Select Modes by executing following procedure.

- step 1. Press the Feed button less than 1 second as many times as the selected mode number.
- step 2. Press Feed button for 1 second or more.

3 After briefly pressing the Feed button (less than one second) for the number of times shown in the print result, hold down the button for more than one second to select the setting items.

The setting selected as the setting item, the current settings and default settings are printed.

Depending on the setting item, you may need to continue selecting the setting item before the settings are printed.

For details on setting items, see "[Software Settings](#)" on page 59.

CAUTION

When set to a value other than those in the software setting mode, the current settings are not printed.

4 Select a setting by briefly pressing the Feed button (less than one second) for the number of times applicable to the setting, and then hold down the button for more than one second to confirm your selection.

After saving the settings, the Software setting mode guidance is printed, and the Paper LED flashes.

5 To close Software setting mode, turn off the printer, or select "Exit" to return to Mode selection guidance, and then select "Exit and Reboot Printer".

NOTE

- To select 0 as the item number, hold down the Feed button until printing starts.
- If the button is pressed a number of times that is not displayed by the Setup guidance, the operation is invalid and the same guidance is printed.

Restore Default Values Mode

In Restore default values mode, following values saved on NV Memory will be set back to default settings. When any error occurs, you can use to specify the reason.

Setting Contents	Setting Items	Restore Default Values and Delete Defined Data
Customized value	✓	✓
Memory switch	✓	✓
R/E (Receipt Enhancement) settings	✓	✓
Communication condition of USB interface	✓	✓
Communication condition of <i>Bluetooth</i> interface	✓	✓
Communication condition of network interface	✓	✓
TM-Intelligent function settings	✓	✓
NV graphics	-	✓
NV bit image	-	✓
User-defined page	-	✓
User NV Memory	-	✓
Web contents	-	✓
<i>Bluetooth</i> low energy technology settings	-	✓

Follow the steps below.

- 1 After running a self-test, hold down the Feed button for at least one second to enter the Mode selection.**
 The Mode selection guidance is printed, and the Paper LED flashes.
- 2 Briefly press the Feed button four times (less than one second), hold it down for at least one second to enter the Restore Default Values.**
 The guidance is printed.

- 3** **When only restoring the default settings:**
Briefly press the Feed button once (less than one second), hold it down for at least one second. (Hold down the Feed button until the message of restore completion is printed.)

When restoring default settings and deleting user defined data:

Briefly press the Feed button twice (less than one second), and then hold it down for at least one second. (Hold down the Feed button until the restoration complete message is printed.)

- 4** To finish, turn off the power.

Interface Setup Mode

Use this mode to setup the interface and other settings.

Follow the steps below.

- 1 After running a self-test, hold down the Feed button for at least one second to enter the Mode selection.**
The Mode selection guidance is printed, and the Paper LED flashes.
- 2 Briefly press the Feed button five times (less than one second), hold it down for at least one second to enter the Interface Setup mode.**
The guidance is printed.
- 3 After briefly pressing the Feed button (less than one second) for the number of times shown in the print result, hold down the button for more than one second to select the setting items.**

Initialize

Select [Wi-Fi & Ethernet Setup] or [Bluetooth Setup] and select [Initialize] to initialize the network setting parameter. The printer is reset and restarted.

SimpleAP mode (Wi-Fi model)

In Wi-Fi model, select [Wi-Fi & Ethernet Setup] and select [SimpleAP] to start in SimpleAP mode (the same as the factory default setting). The printer is reset and restarted, and it begins printing the "SimpleAP Start" information.

Select this to use Quick connection for Wi-Fi model.

NOTE

For information on the Quick connection function, see "[Simple Setup for Wireless LAN](#)" on page 26.

Auto re-connect to iOS device (*Bluetooth* model)

In *Bluetooth* model, select [Bluetooth Setup] and then select [Auto Re-Connect iOS], you can select whether to enable or disable auto reconnection to iOS devices.

NOTE

- For details on the auto re-connect function, see "[Auto Reconnect Feature](#)" on page 126.
- You can change the settings with Setup Utilities.

Bluetooth Security Settings (*Bluetooth* model)

For *Bluetooth* models, select [Bluetooth Setup], and then select [Security], and you can change the *Bluetooth* security settings.

CAUTION

When the security settings are changed, the link key (pairing information) is removed. If the printer is already paired with a terminal, unpair them and then pair again.

NOTE

You can change the settings with Setup Utilities.

Security	Pairing Mode	Pairing Method
Low	Pairing is always possible	Just Works
Middle	Pairing is possible for one minute after printing the status sheet	Just Works
High	Pairing is possible for one minute after printing the status sheet	Numeric Comparison/ Passkey Entry

Pairing method when the security is set to Middle/High (from the printer)

When the security is set to Middle/High and the printer is ready to be paired, perform the following procedure.

1 Load paper in the printer, and then turn it on.

CAUTION

- Make sure no errors have occurred and that the printer is not off-line.
- You cannot pair the printer while the network is starting up immediately after the power is turned on.

2 Open the roll paper cover, hold down the Feed button for at least one second, and then close the roll paper cover.

3 A status sheet is printed, and the power LED flashes a pattern indicating that pairing is now possible.

NOTE

- Pairing is possible for one minute after printing the status sheet.
- You can enable pairing also by printing the status sheet by pressing the status sheet button.

Pairing method when the security is set to High (from the host)

When the security is set to High and the printer is ready to be paired, perform the following procedure.

1 Search for the printer on the Bluetooth settings screen on the host device.

2 Select the printer you want to pair with. The printer prints the Passkey.

- 3 Check that the printed Passkey and the Passkey displayed on the host device match, and then select "Pairing" on the host device.**

TM-Intelligent Settings Information Print Mode

This function allows you to print TM-Intelligent setting information currently registered in the printer.

Follow the steps below.

- 1 After running a self-test, hold down the Feed button for at least one second to enter the Mode selection.**
The Mode selection guidance is printed, and the Paper LED flashes.
- 2 Briefly press the Feed button six times (less than one second), hold it down for at least one second to print the TM-Intelligent setting information.**
After information printing, the Mode selection guidance is printed again.
- 3 To finish, turn off the power, or select "Exit and Reboot Printer".**

Peripheral Device Information Print Mode

This function allows you to print information for the device currently connected to the printer.

Customer display information
Wi-Fi adapter information
Bluetooth adapter information

Follow the steps below.

- 1 After running a self-test, hold down the Feed button for at least one second to enter the Mode selection.**
The Mode selection guidance is printed, and the Paper LED flashes.
- 2 Briefly press the Feed button seven times (less than one second), hold it down for at least one second to print the Peripheral Device Information.**
After information printing, the Mode selection guidance is printed again.
- 3 To finish, turn off the power, or select "Exit and Reboot Printer".**

Hexadecimal Dumping Mode

In hexadecimal dumping mode, data from the host device is printed in hexadecimal numbers and characters. By comparing the print outs and the program, you can check whether or not data is being sent to the printer correctly.

NOTE

- When there are no characters that correspond to the print data, "." is printed.
- If you press the Feed button when there is less than one line of print data, one line is printed.
- During hexadecimal dumping mode, applications that check the printer status may not operate correctly. The printer only returns the status for the "Real-time transmission status" command.

Follow the steps below.

- 1 Open the roll paper cover.**
- 2 While pressing the Feed button, turn on the printer. (Hold down the Feed button until the Error LED turns on.)**
- 3 Close the roll paper cover.**
From this point, all data received by the printer is printed in the corresponding hexadecimal numbers and ASCII characters.

Example of printing in hexadecimal dumping mode:

```
Hexadecimal Dump
To terminate hexadecimal dump,
press FEED button three times.

1B 21 00 1B 26 02 40 40 1B 69 . ! . . & . @ . . i
1B 25 01 1B 63 34 00 1B 30 31 . % . . c 4 . . 0 1
41 42 43 44 45 46 47 48 49 4A A B C D E F G H I J

*** completed ***
```

- 4 To close hexadecimal dumping mode, turn off the printer after printing is complete, or press the Feed button for three times.**

Printing a Status Sheet

Follow the steps below to check the interface settings.

NOTE

When the power LED is flashing, wait until it remains lit to start printing.

Using the Status Sheet Button

NOTE

Only the content for the Ethernet and Wi-Fi interface are printed.

- 1 Check that the printer is turned on.**
Make sure the roll paper cover is closed.
- 2 If there is a connector cover, remove the cover.**
See "[Attaching the Connector Cover](#)" on [page 46](#) for details on removing the connector cover.
- 3 Hold down the status sheet button for at least three seconds.**
The status sheet is printed. After printing, the printer returns to the standard mode.

Using the Feed button

NOTE

Content for the Ethernet, Wi-Fi, and *Bluetooth* interface are printed.

- 1 Check that the printer is on.**
- 2 Open the roll paper cover.**
- 3 Hold down the Feed button for at least one second.**

NOTE

For firmware version 40.02 or earlier, press and hold for 3 seconds or longer.


- 4 Close the roll paper cover.**
The status sheet is printed. After printing, the printer returns to the standard mode.


```

*** Wi-Fi & Ethernet Interface ***

Wi-Fi Status
MAC Address      : Unmounted
SSID : EPSON_Printer
Network Mode     : Infrastructure
Comm Standard   : 802.11b/g/n
Encryption Type  : WPA2-PSK
Link Status      : Unknown
Channel         : Unknown
Transmission    : Unknown
Access Point    : Unknown
Signal Level    : Unknown

Ethernet Status
MAC Address      : XX-XX-XX-XX-XX-XX
Physical Layer   : Auto-negotiation
Link Status      : Connect

Ethernet
WF : XXXXXXXXXXXX
DN : TM-T88VI


Network
Soft Version     : XX.XX

TCP/IP Status
Acquiring        : Auto
IP Address       : XXX.XXX.XXX.XX
Subnet Mask      : XXX.XXX.XXX.X
Default Gateway  : X.X.X.X


Service Status
Time Server      : (off)
Server Direct Print : (off)
Web Contents Updater : (off)
Status Notification : (off)

Other Status
Date/Time       : 20XX/XX/XX 00:00:00
Wi-Fi Device ID : Unknown
Wi-Fi Region ID : 0
    
```

```

*** Bluetooth Interface ***


Bluetooth Status
BD_ADDR : XX:XX:XX:XX:XX:XX
Passkey  : XXXX
Device Name: TM-T88VI_XXXXXX
Module Ver : X.XX
Module Info : BT401-XXXXX
Mode     : Auto re-connect enable
Security : Low

Bluetooth
BT : XXXXXXXXXXXX
DN : TM-T88VI


*** Wi-Fi & Ethernet Interface ***

Wi-Fi Status
MAC Address      : Unmounted
SSID : EPSON_Printer
Network Mode     : Infrastructure
Comm Standard   : 802.11b/g/n
Encryption Type  : WPA2-PSK
Link Status      : Unknown
Channel         : Unknown
Transmission    : Unknown
Access Point    : Unknown
Signal Level    : Unknown

Ethernet Status
MAC Address      : XX-XX-XX-XX-XX-XX
Physical Layer   : Auto-negotiation
Link Status      : Connect

Ethernet
WF : XXXXXXXXXXXX
DN : TM-T88VI


Network
Soft Version     : XX.XX

TCP/IP Status
Acquiring        : Auto
IP Address       : XXX.XXX.XXX.XX
Subnet Mask      : XXX.XXX.XXX.X
Default Gateway  : X.X.X.X

Service Status
Time Server      : (off)
Server Direct Print : (off)
Web Contents Updater : (off)
Status Notification : (off)

Other Status
Date/Time       : 20XX/XX/XX 00:00:00
Wi-Fi Device ID : Unknown
Wi-Fi Region ID : 0
    
```

```
---Server access test result---
Device
local_printer
  Model      :TM-T88VI
  Connection :Success
network_printer1
  Model      :TM-Txx
  IP Address :192.168.192.100
  Connection :Success
network_printer2
  Model      :TM-Txx
  IP Address :192.168.192.101
  Connection :Success

Spooler
  Remaining Jobs :0 job

Server Direct Print
  Server 1
    Access Test :Success
  Server 2
    Access Test :Success
  Server 3
    Access Test :Success

Status Notification
  Access Test :Success

Web Contents Update
  Access Test
    :HTTP Status Code : 404
  Update Information
    Contents Timestamp
      :Wed Jan 1 00:00:52 2014
    Last Update
      :Wed Jan 1 00:00:53 2014
  Update Result
    :WebContentsSuccess
```

Resetting the Interface Settings

Follow the steps below to reset the interface settings.

NOTE

- You can return the interface settings to their defaults from the Interface Setup mode. See ["Interface Setup Mode" on page 76](#) for details on the Interface Setup mode.
- Only network settings are returned to their defaults.

- 1 Turn off the printer and close the roll paper cover.**
- 2 If the connector cover is attached, remove the cover.**
See ["Attaching the Connector Cover" on page 46](#) for details on removing the connector cover.
- 3 Hold down the status sheet button while turning on the printer.**
A message is printed indicating that resetting is being performed, and the printer restarts.

CAUTION

Hold down the status sheet button until the initialization execution message is printed.

TM-Intelligent Function

This product supports the TM-Intelligent function and provides the following functions.

- Server direct print
- Web server
- Spooler and Print Forwarding

You can set each function in the Setup Utilities. For details on the setting method for Epson TM-T88VI Utility for Windows, see the TM-T88VI Utility User's Manual.

You can also download a dedicated manual and sample programs from our homepage.

Server direct print

The server direct function allows this product to acquire print data from a Web server and then print.

By including print data in a response to request from this product, the Web server application can print to this product or a TM printer on the network.

The features are as follows.

- You can acquire print data from three different URLs.
- Print data is available in ePOS-Print XML format.
- You can use this product to print to TM printers on a network.

Regarding details on server direct printing, see the Server Direct Printing User's Manual.

Web server

This product is equipped with a Web server, and you can enable this function by saving Web content (HTML files, CSS files, Java script, PHP files, and image data) to the printer.

Web server supports the scripting language "PHP" and database "SQLite3". You can enable the following by using content created in PHP.

- Creating a dynamic Web page
- Handling user data by file or database operations

Web content registered to this product can be automatically acquired and updated from a specific URL.

Use the Setup Utilities to register Web content and make settings for updating.

Specifications of the file to be registered

- Contents such as HTML files, CSS files, PHP files, JavaScript files, certificate files, and image data.
- Zip the files to be registered all together. The zip file name is arbitrary.

NOTE	<ul style="list-style-type: none">• Use one-byte alphanumeric characters (ASCII characters) for a zip file name and sub-folder name.• The maximum size of the files before being zipped is 30 MB. Otherwise, registering fails.
-------------	--

Cautions for the files to be registered

- Locate the file as shown below.

<Example for sample program>

```
ePOS-Device_UM_E_Sample.zip .....: Zip file
├── index.html
├── css
│   └── L*.css
├── img
│   ├── L*.bmp
│   ├── L*.jpg
│   └── L*.png
├── js
│   └── L*.js
├── sample
│   └── L*.html
├── ssltrustedcerts .....: Server authentication certificate
│   └── L example.pem
├── sslservercerts .....: SSL authentication certificate
│   ├── L ServerCr.crt.....Certificate file
│   ├── L ServerKey.key.....Private key file
│   └── L ChainCr.crt.....Certificate chain file
```

- To access the Web contents registered in this product from an input terminal or other device, the reference URL is different depending on the folder configuration of the zip file as shown below.

A: [http://\[This product's IP address\]/index.html](http://[This product's IP address]/index.html)

B: [http://\[This product's IP address\]/webpage/index.php](http://[This product's IP address]/webpage/index.php)

A

```
eposample.zip
├── index.html
├── css
│   └── L*.css
├── img
│   ├── L*.bmp
│   ├── L*.jpg
│   └── L*.png
├── ssltrustedcerts
│   └── L certificate001.pem
├── js
│   └── L*.js
├── sample
│   └── L*.html
```

B

```
eposample.zip
├── webpage .....: A folder added
│   ├── index.php
│   ├── css
│   │   └── L*.css
│   ├── img
│   │   ├── L*.bmp
│   │   ├── L*.jpg
│   │   └── L*.png
│   ├── js
│   │   └── L*.js
│   └── sample
│       └── L*.html
```

Spooler and Print Forwarding

The spooler function allows you to try to print again when a print error occurs.

If printing to this product fails, the Print Forwarding function allows you to print to other TM printers on the network.

NOTE

This function is only available with the following control methods or functions.

- Epson ePOS SDK for JavaScript
- ePOS-Print XML
- Server direct print
- OFSC-Print



Application Development Information

This chapter describes how to control the printer and gives information useful for printer application development.

Controlling the Printer

The printer supports the following command systems:

- ESC/POS
- ePOS-Print XML

Users can control the printer by using the aforementioned command, or the following development kits or drivers.

- EPSON Advanced Printer Driver (APD)
- OPOS ADK
- OPOS ADK for .NET
- JavaPOS ADK
- Mac Printer Driver
- Epson TM/BA Series Thermal Printer Driver
- Epson ePOS SDK

ePOS-Print XML

ePOS-Print XML is the Epson original control command system for POS printers defined in XML. With ePOS-Print XML commands, you can print in environments where http communication is available and from OS applications. For detailed information about ePOS-Print XML, see the ePOS-Print XML User's Manual.

ESC/POS

ESC/POS is the Epson original printer command system for POS printers and customer display. With ESC/POS commands, you can directly control all the printer functions, but detailed knowledge of printer specifications or combination of commands is required, compared to using drivers and applications.

For detailed information about ESC/POS commands, see the ESC/POS Command Reference that can be accessed from the following URL.

<https://reference.epson-biz.com/pos/reference/>

Controlling the Cash Drawer

A pulse output is sent to drawer kick connector pin 2 or pin 5, and you can open the drawer.

You can also check the open/close status of the drawer by checking the signal level of the drawer kick connector pin 3.

These controls are executed by a driver or by commands.

ESC/POS Commands

Prepare the output command for the specified pulse and the status transmission command.

For details, see the ESC/POS Command Reference.

For Windows Printer Drivers (APD)

You can set so that the drawer opens at the start/end of printing or start/end of a page. For details, see the manual for drivers.

For details on control, see the manual for Status API of the driver.

OPOS (OCX Driver)

Register a cash drawer using the SetupPOS Utility, and control using the OpenDrawer method or the DirectIO function.

For details, see the "EPSON OPOS ADK MANUAL APPLICATION DEVELOPMENT GUIDE Cash Drawer" and the "UnifiedPOS Specification".

OPOS for .NET

Register a cash drawer using the SetupPOS Utility, and control using the OpenDrawer method or the DirectIO function.

For details, see the "EPSON OPOS ADK for .NET MANUAL Application Development Guide Cash Drawer (EPSON Standard)" and the "UnifiedPOS Specification".

Epson ePOS SDK

The output command for the drawer kick pulse and the status transmission command are provided in each SDK library. For details, see the user's manuals provided with each SDK.

NOTE

- Whether or not pin 2 or pin 5 operates the drawer kick connector depends on the connected cash drawer.
- You can acquire documents regarding the UnifiedPOS from the following link.
<https://nrf.com/resources/retail-technology-standards/unifiedpos>

Controlling the Built-in Buzzer

For specifications with a built-in buzzer, a pulse output is sent to the operating pin for the drawer kick connector, and the built-in buzzer beeps.

You cannot change the volume or the sound emitted, but you can change the buzzing time by changing the signal pulse width.

This is controlled by a driver or by commands.

ESC/POS Commands

The output command for the specified pulse is used.

For details, see the ESC/POS Command Reference.

For Windows Printer Drivers (APD)

You can set so that the buzzer beeps at the start/end of printing or start/end of a page. For details, see the manual for drivers.

For API, the API for opening the drawer is used. For details, see the manual for Status API of the driver.

OPOS (OCX Driver)

Register a POS printer using the SetupPOS Utility and control using the DirectIO function.

For details, see the "EPSON OPOS ADK MANUAL APPLICATION DEVELOPMENT GUIDE POSPrinter (TM Series)".

OPOS for .NET

Register a POS printer using the SetupPOS Utility and control using the DirectIO function.

For details, see the "EPSON OPOS ADK for .NET MANUAL Application Development Guide POSPrinter (TM-T88VI)".

Epson ePOS SDK

Use the output command for the drawer kick pulse provided in each SDK library. For details, see the user's manuals provided with each SDK.

NOTE

When using a cash drawer operated by pin 5 with a built-in buzzer, you need to change the DIP switch settings for the buzzer circuit so that the buzzer beeps from a pulse signal for pin 2. For details, see "[Setting the Built-in Buzzer \(for Model with a Built-in Buzzer\)](#)" on page 43.

Controlling the Optional External Buzzer

You can set the optional external buzzer to buzz when an error occurs and when an automatic cut off occurs.

The buzzer can be buzzed using a driver or a command.

You can also set the timing and the beep pattern for the buzzer.

ESC/POS Command

Use the buzzer control command or the output command for the specified pulse.

For details, see the ESC/POS Command Reference.

For Windows Printer Drivers (APD)

You can set so that the buzzer beeps at the start/end of printing or start/end of a page. For details, see the manual for drivers.

For API, use the DirectIO function or the API for opening the drawer. For details, see the manual for Status API of the drivers.

OPOS (OCX Driver)

Register a POS printer using the SetupPOS Utility and control using the DirectIO function.

For details, see the "EPSON OPOS ADK MANUAL APPLICATION DEVELOPMENT GUIDE POSPrinter (TM Series)".

OPOS for .NET

Register a POS printer using the SetupPOS Utility and control using the DirectIO function.

For details, see the "EPSON OPOS ADK for .NET MANUAL Application Development Guide POSPrinter (TM-T88VI)".

Epson ePOS SDK

The command for the buzzer function is provided in each SDK library. For details, see the user's manuals provided with each SDK.



For details on setting the optional external buzzer, see ["Connecting the Optional External Buzzer" on page 44](#).

Software

The following software is provided for application development.

Development Kits

Software	Description
EPSON OPOS ADK	This OCX driver can control POS peripherals using OLE technology.*1 Because controlling POS peripherals with original commands is not required on the application side, efficient system development is possible.
EPSON OPOS ADK for .NET	The OPOS ADK for .NET is a POS industry standard printer driver compatible with Microsoft POS for .NET. It allows you to develop applications that are compatible with the UPOS (Unified POS) specification. When developing applications, use a separate development environment such as Microsoft Visual Studio .NET.
EPSON JavaPOS ADK (Windows/ Linux)	JavaPOS is the standard specification which defines an architecture and device interface (API) to access various POS devices from a Java based system. Using JavaPOS standard API allows control with Java based applications of functions inherent to each device. A flexible design with Java language and JavaPOS enables many different types of computer systems, such as stand alone or network configuration, to use a same application. You can use JavaPOS to build applications and drivers independently of platforms. This allows flexible configurations using thin clients to meet the system requirements.
Epson ePOS SDK	This is a developer kit to control applications, native applications for smart devices, and printers. This includes libraries, manuals, and sample programs.
for Android	
for iOS	
for Universal Windows apps	
for JavaScript	

*1: OLE technology developed by Microsoft divides software into part blocks. The OPOS driver is presupposed to be used with a development environment, such as Visual Basic, unlike ordinary Windows printer drivers. It is not a driver to be used for printing from commercial applications.

You can acquire documents regarding the UnifiedPOS from the following link.

<https://nrf.com/resources/retail-technology-standards/unifiedpos>

Drivers

Software	Description	Operating environment
EPSON Advanced Printer Driver (APD)	In addition to ordinary Windows printer driver functions, this driver has controls specific to POS. The Status API (Epson original DLL) that monitors printer status and sends ESC/POS commands is also attached to this driver.	Windows
EPSON TM Virtual Port Driver	This is a serial/parallel-USB/LAN conversion driver to make an Epson TM/BA/EU printer connected via USB or LAN accessible from a POS application through a virtual serial or parallel port. It allows you to directly control devices connected via USB or LAN with ESC/POS commands without making changes in the POS application that controls devices connected via a serial or parallel interface.	Windows
Mac Printer Driver	Mac printer driver allows you to control the printer using Common UNIX Printing System (CUPS) on Mac OS X. This is a full raster printer driver. It is able to print images, text, and vector graphics etc., that an application displays. With this driver many printer controls are possible, such as paper cut timing control, cash drawer control, printing speed control, blank line skip, and upside-down printing. It also provides API and dialogues for print setting, sample applications, and logo setting utility.	Mac OS X
Epson TM/BA Series Thermal Printer Driver	This driver allows you to control the printer using Common UNIX Printing System (CUPS) on GNU/Linux. This is a full raster printer driver. It is able to print images, text, and vector graphics etc., that an application displays. With this driver many printer control are possible, such as paper cut timing control, cash drawer control, printing speed control, blank line skip, and upside-down printing.	GNU/Linux

Utilities

Software	Description	Operating environment
TM-T88VI Utility	A utility for checking and changing various printer settings. Use this utility to: <ul style="list-style-type: none"> • Check the current settings • Test operation • Store logos • Set paper saving • Set printing control • Set communication interfaces • Set the network • Set the intelligent function • Save/restore settings 	Windows

Epson TM Utility	A utility that can be downloaded from App Store or Google Play. Use this to perform wireless connection setup and change settings on the printer from iOS and Android devices. This utility also comes with the following sample printing functions: <ul style="list-style-type: none"> • Sample receipt printing • Customized receipt printing • Printer status display • Quick pairing by NFC/QR code • Easy print by NFC/QR code • Firmware update* 	iOS, Android
EpsonNet Config	A network setting tool for Epson network products.	Windows, Mac
EPSON TM Bluetooth® Connector	Use to pair a <i>Bluetooth</i> printer and associate the generated <i>Bluetooth</i> port with that used by the driver and applications.	Windows
Epson Deployment Tool	Use to make network and printer settings simultaneously. Allows you to make settings efficiently at the time of introducing TM printers for the first time, or when configuring multiple TM printers at the same time.	Windows
Epson Monitoring Tool	Use to check a list of status for the Epson printers connected to the network. You can also update certificates for multiple printers used for WPA2-Enterprise in a batch.	Windows
TM-T88VI Printer Model Setting Utility	This tool allows you to change the model name for the TM-T88VI to TM-T88V or TM-T88IV.	Windows
BmpToRaster	You can convert BMP image files to multi tone or black and white print command data.	Windows
EPSON TMUSB Identifier Utility	This tool allows you to change the USB identification code (USB Serial No.). Setting an identification code before replacement makes it easy to perform replacement if a malfunction occurs.	Windows
TM-T88VI Firmware Updater	This tool allows you to update the firmware for the TM-T88VI.	Windows

*: Supported by Ver. 3.2.0 or later.

Others

Manual	Description
ePOS-Print XML User's Manual	Describes ePOS-Print XML statements. This manual comes with sample programs.
TM-T88VI/TM-T88VI-iHUB WebConfig API User's Manual	Describes the API for setting this product's TM-Intelligent function. Refer to this manual when using the API from your application to acquire or change settings.

Download

You can obtain software and manuals from one of the following URLs.

For customers in North America, go to the following web site and follow the on-screen instructions.

<http://www.epson.com/support/>

For customers in other countries, go to the following web site:

<http://download.epson-biz.com/?service=pos>

Application Development and Distribution for iOS

If registering an application that uses *Bluetooth* in the App Store, Epson must submit an application to Apple in advance. Please apply for each application you want to register in the App Store from the URL below.

<https://c4b.epson-biz.com/ais/E/>

Handling

This chapter describes basic handling of the printer.

Installing and Replacing Roll Paper

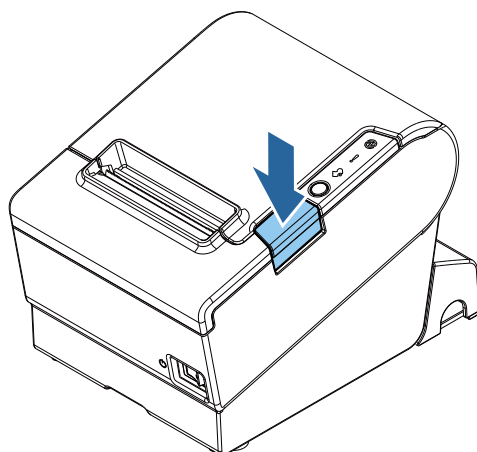


- **Do not open the roll paper cover during printing.**
The printer may be damaged.
- **Do not touch the manual cutter with your hands when installing or replacing the roll paper.**
Otherwise, you may be injured because the manual cutter blade is sharp.



- Use roll paper that meets the printer specification. For details about paper specification, see ["Paper Specifications" on page 115](#).
- Paper must not be pasted to the roll paper spool.

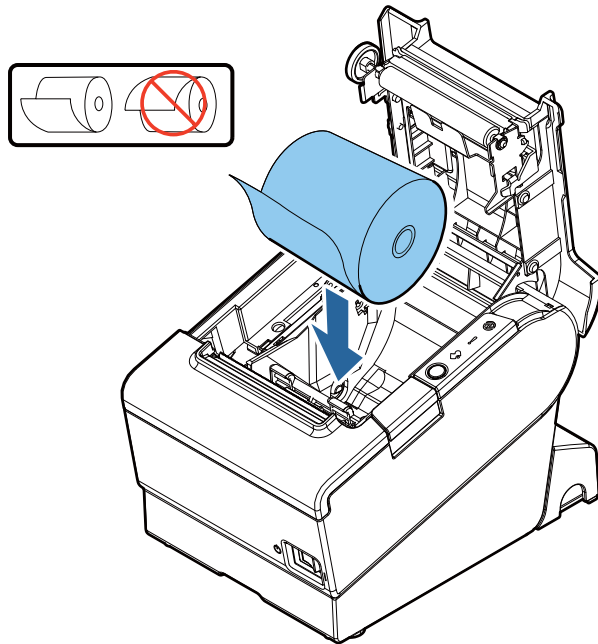
1 Open the roll paper cover.



When the roll paper cover cannot be opened, see ["Removing Jammed Paper" on page 98](#).

2 Remove the used roll paper core, if any.

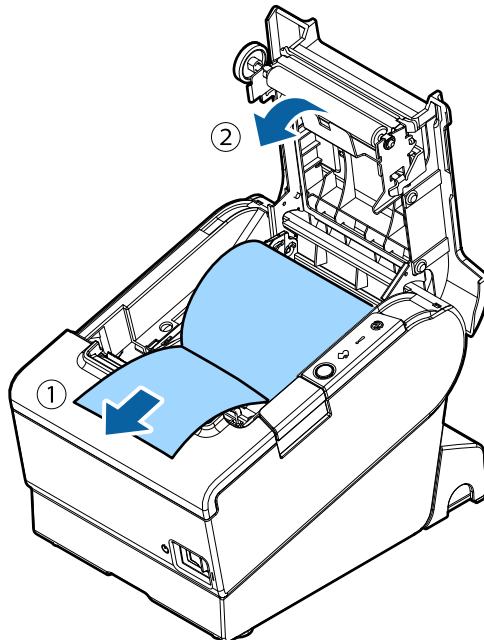
3 Install the roll paper in the correct direction.



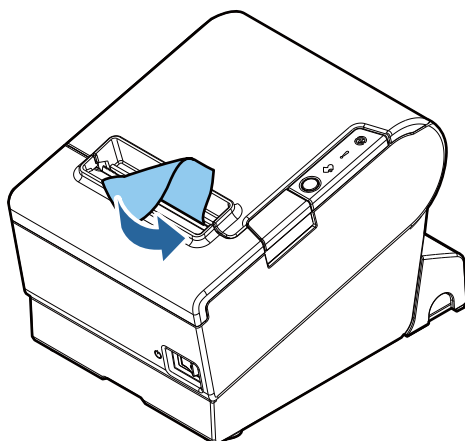
CAUTION

When roll paper is loaded, feed the paper for at least 20 mm.

4 Pull out some roll paper, and close the roll paper cover.



5 Tear off the paper.



Removing Jammed Paper



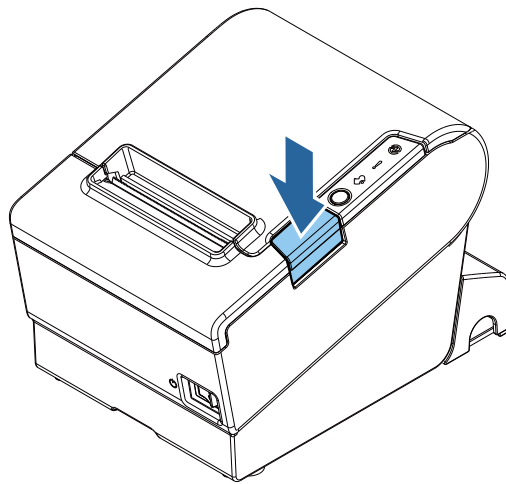
Do not touch the thermal head and its surroundings. After printing, the thermal head and its surroundings can be very hot.

CAUTION

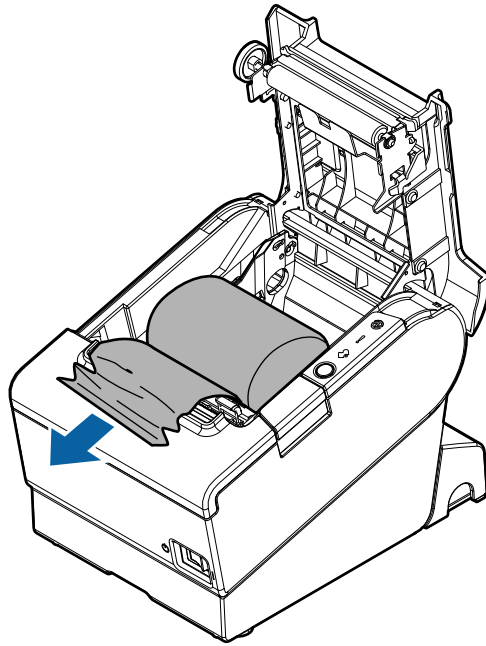
When a paper jam occurs, never pull out the paper forcibly.

Follow the steps below if the roll paper is jammed.

- 1** Turn off the printer.
- 2** Open the roll paper cover.



3 Remove the jammed paper.



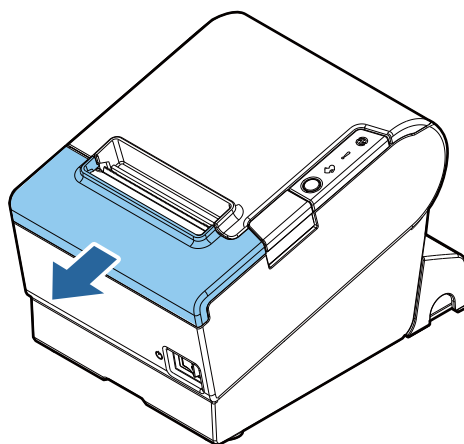
4 Close the covers.

If Roll Paper Cover does not Open

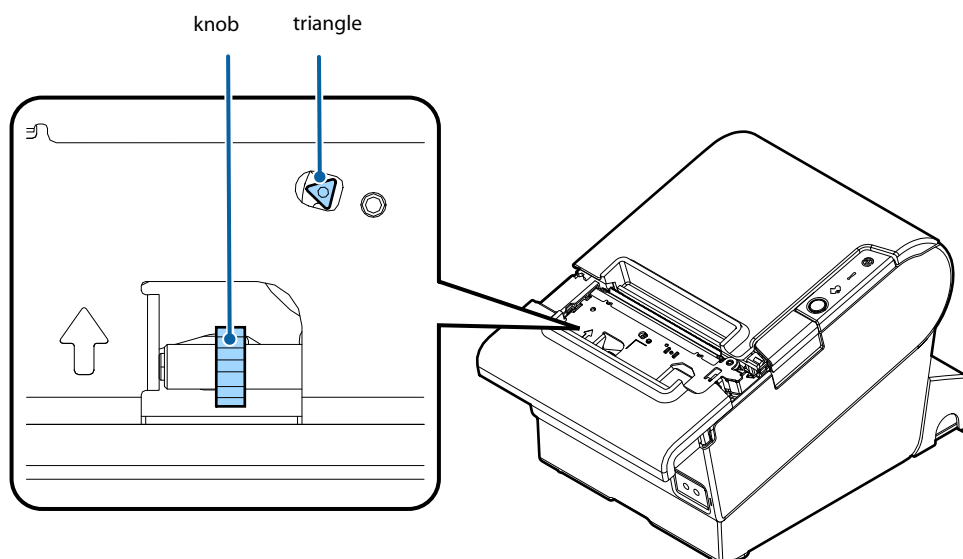
If a foreign substance has entered the autocutter or the roll paper jams, the autocutter blade cannot return to the correct position and it locks in place. In this situation, the roll paper cover does not open even if you pull the cover open lever.

Follow the steps below to return the autocutter blade to its normal position.

- 1 Turn off the printer.**
- 2 Slide the cutter cover toward the front to open it.**



- 3 Turn the knob until you see a triangle in the opening.**
This returns the cutter blade to the normal position. There is a label near the cutter to assist you.



- 4 Close the cutter cover.**
- 5 Open the roll paper cover and remove the jammed paper.**

Cleaning the Printer

Cleaning the Printer Case

Be sure to turn off the printer, and wipe the dirt off the printer case with a dry cloth or a damp cloth. Be sure to unplug the AC cable while cleaning.

CAUTION

Never clean the product with alcohol, benzine, thinner, or other such solvents.
Doing so may damage or break the parts made of plastic and rubber.

Cleaning the Thermal Head/Platen Roller

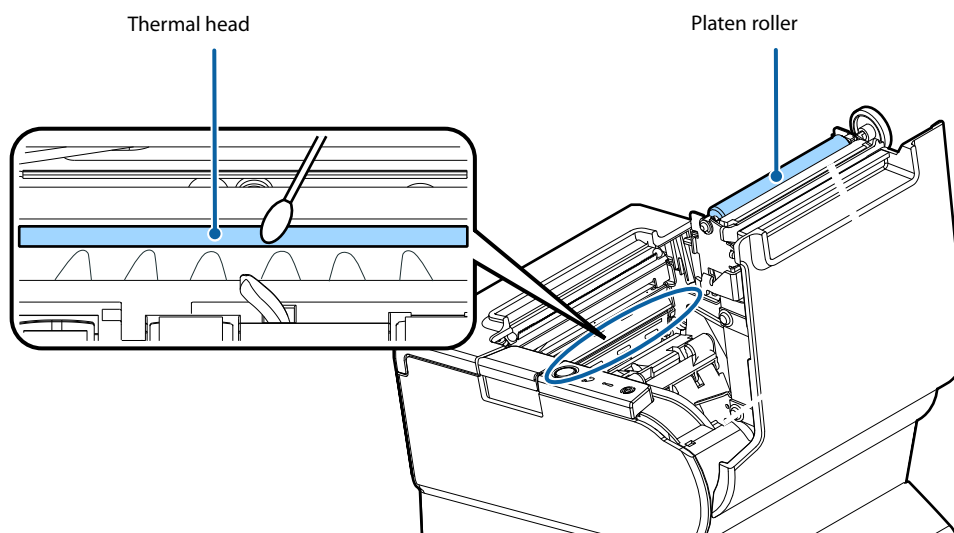
Epson recommends cleaning the thermal head periodically (generally every 3 months) to maintain receipt print quality.

Depending on the roll paper used, paper dust may stick to the platen roller and cause an irregular paper feed. To remove the paper dust, clean the platen roller with a cotton swab moistened with water. Turn on the printer power only after the water has completely dried.

Turn off the printer, open the roll paper cover, and clean the thermal elements of the thermal head with a cotton swab moistened with an alcohol solvent (ethanol or IPA).

CAUTION

- After printing, the thermal head can be very hot. Do not touch it and let it cool before you clean it.
- Do not damage the thermal head by touching it with your fingers or any hard object.



Preparing for Transport

Follow the steps below to transport the printer.

- 1** Turn off the printer.
- 2** Remove the power supply connector.
- 3** Remove the roll paper.
- 4** Pack the printer upright.

Replacement of the TM-T88V

The TM-T88VI is designed so that it can smoothly replace the TM-T88V. This chapter describes precautions for the replacement.

Compatibility

Printing

The printing and character specifications are the same as those of the TM-T88V. Without special configurations, the TM-T88VI prints the same results as the TM-T88V prints.

Print Density

The print density of the TM-T88VI can be set with DIP switches (2-3/2-4) as can the TM-T88V. Set the density the same as for the TM-T88V to print in the same print density.

Number of Head Energizing Parts

For the TM-T88VI, the default setting of the number of head energizing parts is “One-part energizing.” It does not usually need to be changed.

	TM-T88VI	TM-T88V
Number of head energizing part	<ul style="list-style-type: none"> • One-part energizing • Two-part energizing • Four-part energizing 	<ul style="list-style-type: none"> • One-part energizing • Two-part energizing • Four-part energizing

Printable Area (for 80 mm Width Paper)

The printable area (left/right margins, print start position from the autocutting position, print start position from the manual cutting position) of the TM-T88VI is the same as that of the TM-T88V.

Cutting Method

The TM-T88VI uses the partial cutting method (cutting with one point in left edge left uncut) as does the TM-T88V.

Manual Paper Feed

As same with the TM-T88V, manual paper feed is not possible with the TM-T88VI.

Receive Buffer

You can set the receive buffer of the TM-T88VI to 4KB or 45 bytes with DIP switch 1-2 as with the TM-T88V. The buffer full condition and buffer full release condition of the TM-T88VI are the same as those of the TM-T88V.

Memory Capacity

The sizes of the download buffer and NV graphics data of the TM-T88VI are the same as those of the TM-T88V.

Electrical Characteristics

The operating voltage of the TM-T88VI is $DC24 \pm 7\%$, the same as the TM-T88V. The current consumption differs, depending on the print duty. When you set the print speed to 350 mm/s, the amount of electricity consumed increases.

DIP Switches

The functional assignments of DIP switches for the TM-T88VI differ from the TM-T88V. See "[Setting the DIP Switches](#)" on page 53 for more details.

Printer Status

The TM-T88VI goes to the same status under the same conditions as the TM-T88V. You can replace the TM-T88V with the TM-T88VI without modifying applications.

Logo Registration

The TM-T88VI can register logos in the NV memory (NVRAM) with the Setup Utilities.

Driver Compatibility

You can operate the TM-T88VI with a driver for the TM-T88V.

USB Low Power Consumption Mode

With the TM-T88VI, you can enable the USB low power consumption mode in the software setting mode.

Maintenance Counter

The TM-T88VI has a maintenance counter just as the TM-T88V has.

Buzzer

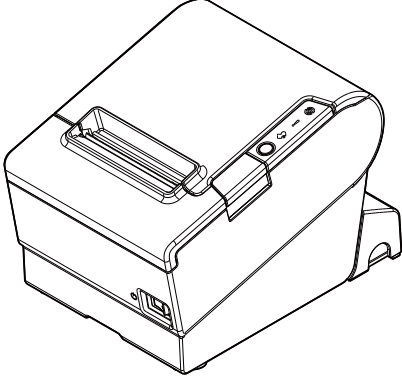
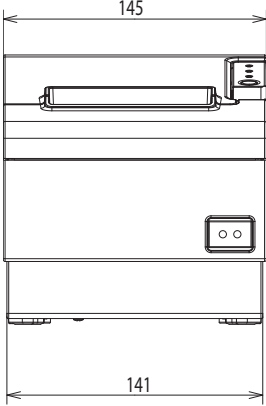
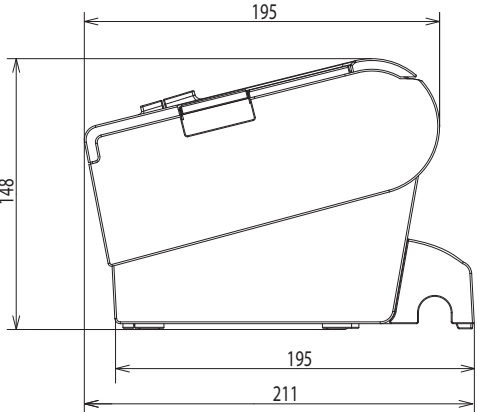
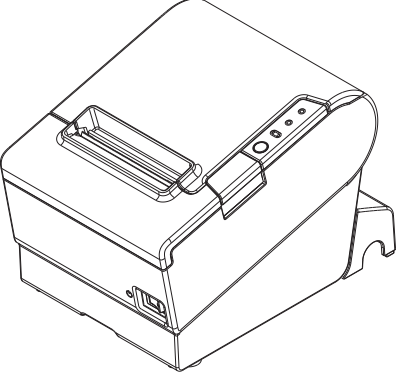
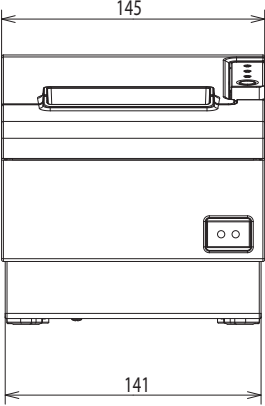
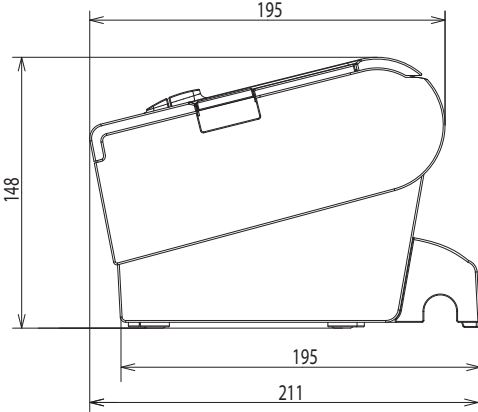
TM-T88VI is available with a built-in buzzer or without the buzzer. Even if you purchase the one without the buzzer, you can attach an optional external buzzer. You can beep the buzzer with the pulse signal using a command.

Power Supply Box

The optional power supply box (OT-BX88VI) is available to be attached under the TM-T88VI to hold the power unit.

Overall Dimensions

You can place the TM-T88VI in the same location as the TM-T88V, since its overall dimensions and weight are the same as those of the TM-T88V. With the wall hanging bracket (WH-10), you can attach the TM-T88VI to a wall just as you can with the TM-T88V.

TM-T88VI W:145 × D:195 × H:148 mm Approximately 1.6kg {W:5.71" × D:7.68" × H:5.83" Approximately 3.53 lb}	TM-T88V W:145 × D:195 × H:148 mm Approximately 1.6kg {W:5.71" × D:7.68" × H:5.83" Approximately 3.53 lb}
  	  

Additional Functions and Functional Improvements

Print Speed

The default printing speed for the TM-T88VI may vary depending on the specification.

	TM-T88VI	TM-T88V
Default	Up to 300 or 350 mm/s	Up to 300 mm/s
Maximum print speed	350 mm/s*	300 mm/s
Print speed setting (Customized value)	Level 1 to 14	Level 1 to 13

* The values are those when the paper width is set to 80 mm. When it is set to 58 mm, the maximum is 300 mm/s {11.8"/s}.

CAUTION

Depending on print conditions such as print duty, print head temperature, and data transmission speed, print speed is automatically adjusted.

Interface

In addition to UIB, the printer is equipped with a standard USB interface and a wired LAN interface. You can perform printing using numerous interfaces.

SimpleAP Function

The TM-T88VI comes with a mode (SimpleAP) that allows the printer to connect directly when using an optional wireless LAN unit without having to use a wireless LAN access point.

CAUTION

The SimpleAP function is for making settings only.

NFC

The TM-T88VI is equipped with a built-in NFC tag.

CAUTION

When UB-R04 is installed, you cannot use the printer's built-in NFC. Install the NFC tag for the UB-R04 at a location that is remote from the printer's built-in NFC.

Epson TM Utility for iOS/Android

The TM-T88VI allows you to make a variety of settings using the Epson TM Utility for iOS/Android for smart devices running iOS/Android.

Software Settings

For the TM-T88VI, the following software setting functions are added.

- Command execution during offline
- Amount of top margin by backfeed
- Interface switch waiting time
- Main connection interface
- LED indicator when I/F starting
- Number of digits emulation mode
- Select autocutter error release method

NOTE

For detailed information about the software settings, see ["Software Settings" on page 59](#).

TM-Intelligent function

The TM-T88VI supports the following TM-Intelligent function.

- Supports Server Direct Print that sends a request for print data from the product to the Web server at regular intervals.
- Since print data can be saved in the spooler, applications can be released from processing print jobs regardless of the printer status.
- When a network printer is registered while printing from Epson ePOS SDK for JavaScript, print forwarding process can be realized. Also, if the printer is not ready to print, you can print from another printer.
- Equipped with Web server that supports the scripting language "PHP" and database "SQLite3".

NOTE

The spooler and print forwarding function is only available with the following control methods or functions.

- Epson ePOS SDK for JavaScript
- ePOS-Print XML
- Server direct print
- OFSC-Print

Appendix

Product Specifications

Printing method		Thermal line printing
Cutting method		Partial cut (cutting with one point in left edge left uncut)
Roll paper (single-ply) width		80 mm width paper printing: 79.5 ± 0.5 mm (3.13 ± 0.02 " 58 mm width paper printing: 57.5 ± 0.5 mm (2.26 ± 0.02 "
Interfaces		USB: USB 2.0 Full-speed (12Mbps) Wired LAN: 10BASE-T/100BASE-TX Serial: RS-232 Wireless LAN: Connects an optional Wireless LAN unit to the USB connector. <i>Bluetooth: Bluetooth 3.0 (EDR supported)</i> Parallel: IEEE1284 USB Plus Power: Full-speed (12Mbps)
Buffers	Receive buffer	4 KB/45 bytes (selectable using DIP switch 1-2)
	Downloaded buffer	12 KB (both for user-defined characters and downloaded images)
	NV graphics data	384 KB
	Web Contents Area	30 MB
Barcode/two-dimensional symbol/ composite symbol printing		UPC-A, UPC-E, JAN8 / EAN 8, JAN13 / EAN13, Code39, Code93, Code128, ITF, CODABAR(NW-7), GS1-128, GS1 DataBar, PDF417, QR code, Maxi Code, Data Matrix, Aztec Code, Two-dimensional GS1 DataBar, Composite Symbology
Cash drawer function		2 drives
Supplied voltage		DC 24 V \pm 7%
AC power consumption*		Operating: Approx. 27.6 W (Standard model) Standby: Approx. 0.5 W (Standard model)
Life	Mechanism	20 million lines
	Thermal head	200 km (when using the specified original paper types (PD160R, TF50KS-EY, or KT55FA))
	Autocutter	3 million cuts (when using the specified original paper types (PD160R, TF50KS-EY, or KT55FA), at normal temperature and normal humidity)
	MTBF	360,000 hours
	MCBF	70 million lines
Temperature/humidity		Operating: 5 to 45°C {41 to 113°F}, 10 to 90% RH Storage: -10 to 50°C {14 to 122°F}, 10 to 90% RH

Overall dimensions	145 × 195 × 148 mm {5.71 × 7.68 × 5.83"} (W × D × H)
Mass	Approx. 1.6 kg {3.5 lb} (roll paper excluded)

* : According to our operation conditions

Printing Specifications

Printing method		Thermal line printing		
Dot density		180 × 180 dpi		
Printing direction		Unidirectional with friction feed (Reverse feed is not supported.)		
Printing width	Standard column mode	80 mm width paper printing: 72.0 mm (2.83"), 512 dots 58 mm width paper printing: 50.8 mm (2.0"), 360 dots		
	48 column mode	80 mm width paper printing: 67.7 mm (2.67"), 480 dots 58 mm width paper printing: 50.8 mm (2.0"), 360 dots		
Characters per line	Standard column mode	ANK font A	80 mm width paper printing: 42 58 mm width paper printing: 30	
		ANK font B	80 mm width paper printing: 56 58 mm width paper printing: 40	
		Kanji font A	80 mm width paper printing: 21 58 mm width paper printing: 15	
		Kanji font B	80 mm width paper printing: 32 58 mm width paper printing: 22	
		Special font A	80 mm width paper printing: 42 58 mm width paper printing: 30	
		Special font B	80 mm width paper printing: 56 58 mm width paper printing: 40	
	48 column mode	ANK font A	80 mm width paper printing: 48 58 mm width paper printing: 36	
		ANK font B	80 mm width paper printing: 53 58 mm width paper printing: 40	
	Maximum print speed* ¹		350 mm/s* ²	
	Line spacing		4.23 mm {1/6"} (Default value, programmable by command)	

dpi: dots per inch

*1: when the printer prints text (built-in fonts) with the default print density level at 24V and 25°C {77°F}.

*2: The values are those when the paper width is set to 80 mm. When it is set to 58 mm, 300 mm/s {11.8"/s} maximum.

NOTE

Print speed may be slower, depending on such items as the data transmission speed.

Character Specifications

Number of characters		Alphanumeric characters: 95 Extended graphics: 128 × 43 pages (including user-defined page) International characters: 18 sets GB18030-2000: 28,533 (for Simplified Chinese characters model) Big 5: 13,535 (for Traditional Chinese characters model) Korean Kanji (KC C5601): 8,366 (for Korean model) Thai character: 3-pass printing font (for South Asia model) 128 characters × 3 pages (133 character types) Vietnam character (for South Asia model) 128 characters × 2 pages (135 character types)	
Character structure (W × H dots)	Standard column mode	ANK font A	12 × 24 dots (Right-side dot space: 2)
		ANK font B	9 × 17 dots (Right-side dot space: 2)
		Kanji font A	24 × 24 dots (Right-side dot space: 0)
		Kanji font B	16 × 16 dots (Right-side dot space: 0)
		Special font A	12 × 24 dots (Right-side dot space: 2)
		Special font B	9 × 24 dots (Right-side dot space: 2)
	48 column mode	ANK font A	10 × 24 dots (Right-side dot space: 1)
		ANK font B	9 × 17 dots (Right-side dot space: 2)
Character size (W × H)	Standard column mode	ANK font A	1.41 × 3.39 mm {0.06 × 0.13"}
		ANK font B	0.99 × 2.40 mm {0.04 × 0.09"}
		Kanji font A	3.39 × 3.39 mm {0.13 × 0.13"}
		Kanji font B	2.26 × 2.26 mm {0.09 × 0.09"}
		Special font A	1.41 × 3.39 mm {0.06 × 0.13"}
		Special font B	0.99 × 3.39 mm {0.04 × 0.13"}
	48 column mode	ANK font A	1.27 × 3.39 mm {0.05 × 0.13"}
		ANK font B	0.99 × 2.40 mm {0.04 × 0.09"}

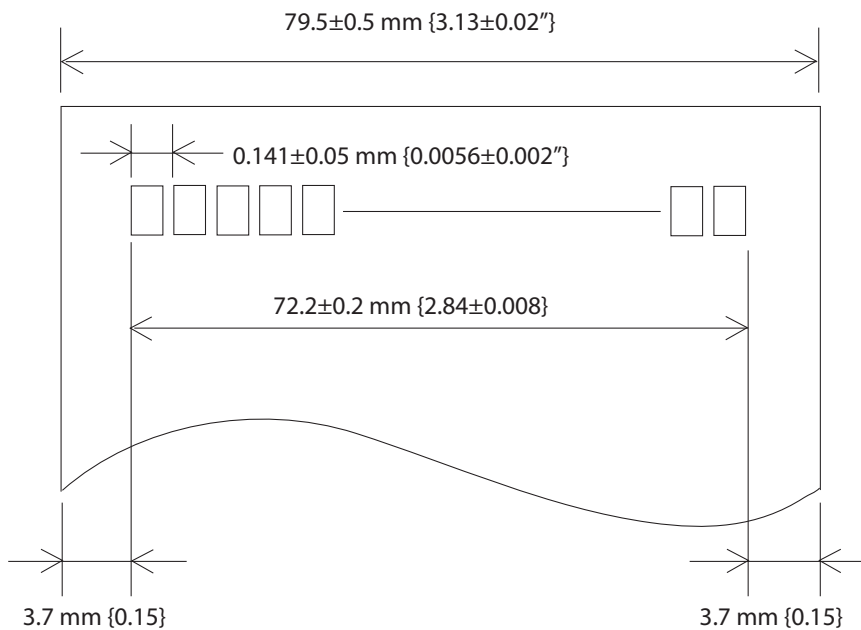
Note:

1. Space between characters is not included.
2. Characters can be scaled up to 64 times as large as the standard size.

Printable Area

80 mm paper width printing

The printable area of paper with a width of 79.5 ± 0.5 mm $\{3.13 \pm 0.02\}$ " is 72.2 ± 0.2 mm $\{2.84 \pm 0.008\}$ " (512 dots), and the space on the right and left sides is approximately 3.7 mm $\{0.15\}$ ".



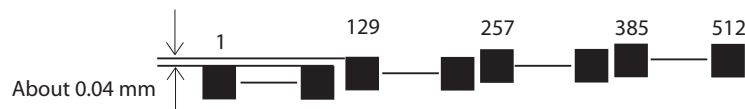
All the numeric values are typical.

CAUTION

- In 2-divided energizing, the print position within the printable area of the thermal elements for dots 1 to 256 and 257 to 512 is shifted approximately 0.07 mm $\{0.0028\}$ " in the paper feed direction as shown in the figure below.

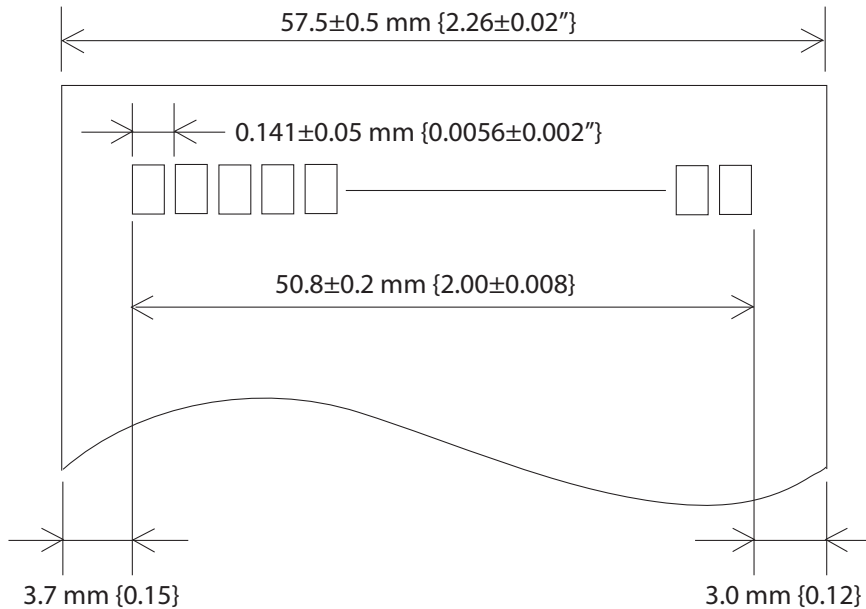


- In 4-divided energizing, the print position within the printable area of the thermal elements for dots 1 to 128, 129 to 256, 257 to 384, and 385 to 512 is shifted approximately 0.04 mm $\{0.0016\}$ " in the paper feed direction as shown in the figure below.



58 mm paper width printing

The printable area of paper with a width of 57.5 ± 0.5 mm { 2.26 ± 0.02 " } is 50.8 ± 0.2 mm { 2.00 ± 0.008 " } (360 dots), and the space on the left side is approximately 3.7 mm {0.15"} and the space on the right side is approximately 3.0 mm {0.12"}.



All the numeric values are typical.

CAUTION

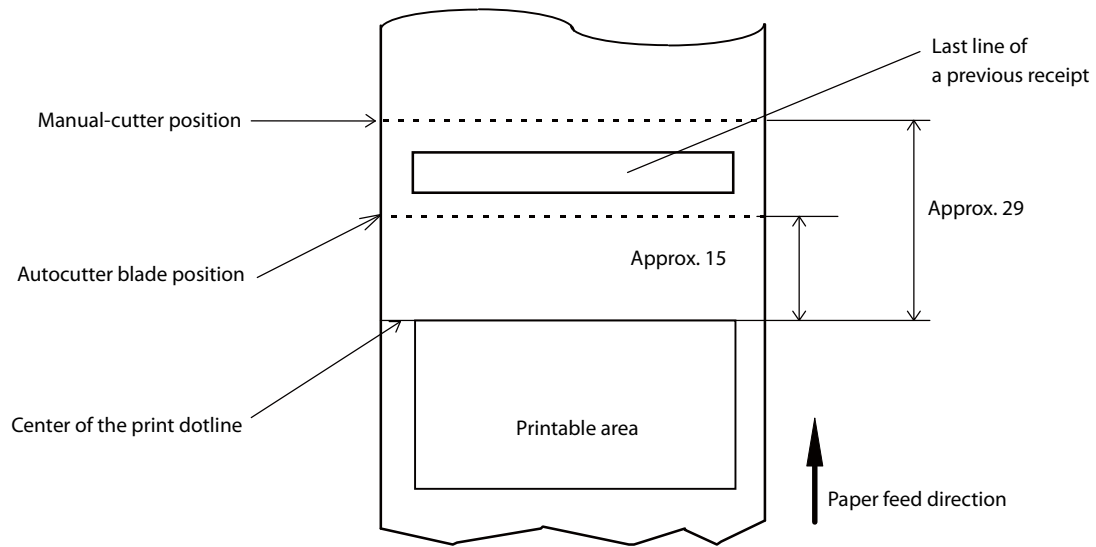
- In 2-divided energizing, the print position within the printable area of the thermal elements for dots 1 to 256 and 257 to 360 is shifted approximately 0.07 mm {0.0028"} in the paper feed direction as shown in the figure below.



- In 4-divided energizing, the print position within the printable area of the thermal elements for dots 1 to 128, 129 to 256, and 257 to 360 is shifted approximately 0.04 mm {0.0016"} in the paper feed direction as shown in the figure below.



Printing and Cutting Positions




[units: mm (All the numeric values are typical.)]

CAUTION

- The values above may vary slightly as a result of paper slack or variations in the paper. Take this into account when setting the cutting position of the autocutter.
- When removing cut paper, the remaining roll paper is pulled at the uncut section and the pitch of the next print may be reduced. When printing after cutting paper for prints with no pitch reduction, feed the paper about 1 mm {16/406 inches} before printing.
- When leaving paper loaded for an extended period of time, make sure you feed about 30 mm of paper. This can prevent paper from wrinkling and causing prints to be too light.

Paper Specifications

Paper types	Specified thermal paper	
Form	Roll paper	
Size	Roll paper diameter	83 mm {3.27"} maximum
	Roll paper spool	Inside: 12 mm {0.47"}, Outside: 18 mm {0.71"}
	Roll width when taken up	80 mm width paper printing: 80 + 0.5/-1.0 mm 58 mm width paper printing: 58 + 0.5/-1.0 mm
	Paper width	80 mm width paper printing: 79.5 ± 0.5 mm 58 mm width paper printing: 57.5 ± 0.5 mm
Specified original paper type	P30521, P30523, P31523, P35524 (Kanzaki Specialty Papers) AF50KS-E (Jujo Thermal Oy) F5041 (Mitsubishi HiTec Paper Flensburg GmbH) KT55FA, KT48FA (Koehler Paper Group) Epson Certified Media List for Thermal Receipt Printers  https://download.epson-biz.com/?content=sht_tm_media	

CAUTION

- Paper must not be pasted to the roll paper spool.
- The remaining amount of the roll paper when a roll paper near-end is detected differs depending on the spool type.

Electrical Characteristics

Supply voltage		DC 24V \pm 7%
Current consumption (at 24V, 25°C, normal print density)	Standby	Mean: Approximately 0.015A Maximum 1A for drawer kick driving.
	Operating	Mean: Approximately 1.8A Note: When print ratio is approximately 18% <ul style="list-style-type: none"> • Continuous printing for 50 lines (repeating 20H-7FH) <ul style="list-style-type: none"> * Font A * 42 columns * ASCII character • 5 line feeding • Autocutting

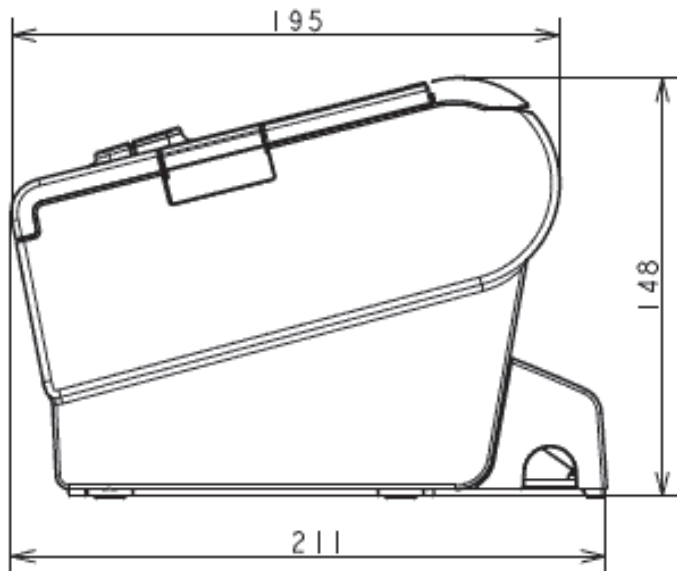
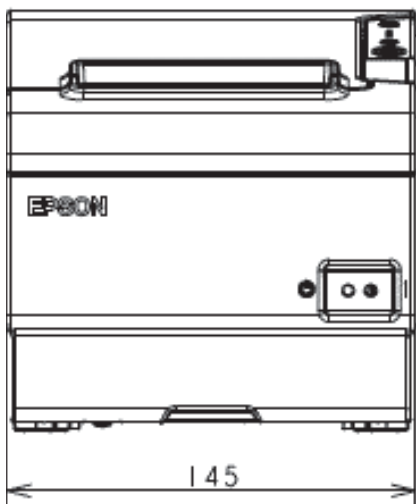
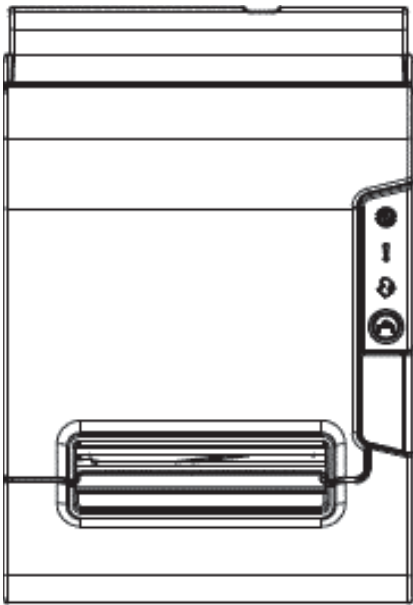
Environmental Conditions

Temperature/ Humidity	Operating	5 to 45°C {41 to 113°F}, 10 to 90% RH (See the operating temperature and humidity range below.)
	Storage (Factory packing)	-10 to 50°C {14 to 122°F}, 10 to 90% RH (except for paper)
		<p>Relative humidity [%RH]</p> <p>Ambient temperature [°C]</p> <p>Operating environment range</p> <p>31°C, 90%</p> <p>34°C, 90%</p> <p>34°C, 75%</p> <p>40°C, 65%</p> <p>45°C, 50%</p> <p>45°C, 43%</p> <p>— Specified original paper other than below</p> <p>— Specified original paper: P30521, P30523, P31523, P35524</p>
Acoustic noise (operating)		<p>Approximately 55 dB (bystander position)</p> <p>Note:</p> <p>The values above are measured in the Epson evaluation condition.</p> <p>Acoustic noise differs depending on the paper used, printing contents, and the setting values, such as print speed or print density.</p>
Dust and drip proofness function*		<p>IPX2 equivalent</p> <p>Note:</p> <p>Roll paper side is excluded.</p> <p>When the rubber feet sections are installed horizontally.</p>

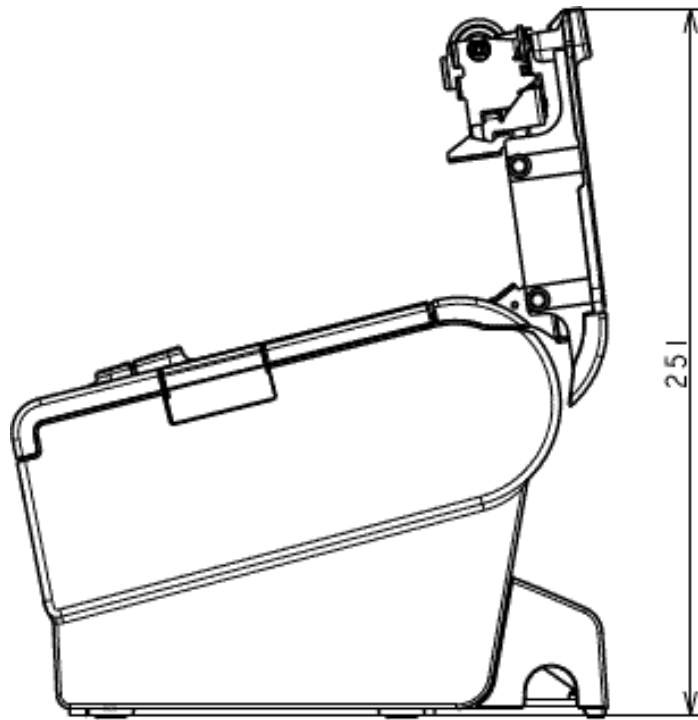
* The value measurements are equivalent to JISC0920 (IEC60529:2001) standard. Therefore, safety standard application, and failure and breakage of the printer are not guaranteed.

External Dimensions and Mass

- Width: Approximately 145 mm {5.71"}
- Depth: Approximately 195 mm {7.68"}
- Height: Approximately 148 mm {5.83"}
- Mass: Approximately 1.6 kg {3.53 lb} (except for roll paper)



[Units: mm]



[Units: mm]

Network Printer

The TM-Intelligent function supports the following printers as network printers.

	World wide models	Simplified Chinese models	Traditional Chinese models	South Asia models	Korean models
TM-T88VI	✓	✓	✓	✓	✓
TM-m10	✓	✓	✓	✓	✓
TM-m30	✓	✓	✓	✓	✓
TM-T88V-i	✓	✓	✓	✓	✓
TM-T70-i	✓	✓	✓	✓	✓
TM-T20II-i	✓	-	-	-	-
TM-T82II-i	-	✓	✓	✓	-
TM-T83II-i	-	-	-	-	✓
TM-U220-i	✓	-	-	-	-
TM-T88V*	✓	✓	✓	✓	✓
TM-T88IV	✓	✓	✓	✓	✓
TM-T70	✓	✓	✓	✓	✓
TM-T70II	✓	✓	✓	✓	✓
TM-T90	✓	-	✓	✓	-
TM-L90	✓	✓	✓	-	✓
TM-P60II	✓	-	-	-	-
TM-P60II Peeler	✓	-	-	-	-
TM-T20	✓	-	-	-	-
TM-T20II	✓	-	-	-	-
TM-T82II	✓	✓	✓	✓	-
TM-T83II	-	-	-	-	✓
TM-P80	✓	-	-	-	-
TM-P20	✓	-	-	-	-
TM-U220	✓	✓	✓	✓	✓

* TM-T88IV compatible mode is not supported.

Specifications of Interfaces and Connectors

NOTE

For detailed information about parallel, see the Technical Reference Guide for the interface board.

USB Interface

USB interface connector

USB type-B connector

USB transmission specifications

USB function

Overall specifications	According to USB 2.0 specifications	
Transmission speed	USB Full-Speed (12 Mbps)	
Transmission method	USB bulk transmission method	
Power supply specifications	USB self power supply function	
Current consumed by USB bus	2 mA	
USB packet size (with full-speed connection)	USB bulk OUT (TM)	64 bytes
	USB bulk IN (TM)	64 bytes
USB device class	Both USB vendor-defined class and USB printer class are supported.	

NOTE

To set the USB device class, see "[Software Settings](#)" on page 59.

USB descriptor

		USB vendor-defined class	USB printer class
Vendor ID		04B8h	04B8h
Product ID		0202h	0E21h
String Descriptor	Manufacturer	EPSON	EPSON
	Product	TM-T88VI	TM-T88VI
	Serial number	Character string based on the product serial number	Character string based on the product serial number

Ethernet Interface

Communication specifications

10BASE-T/100BASE-TX

Support protocols

Protocols	Usage
IP, ARP, ICMP, UDP, TCP	Basic communication protocols
LP, LPR, TCP Socket Port	Printing protocols
HTTP/HTTPS	Used in EpsonNet Config (Web version)
SNMP, ENPC	Used in setting and monitoring
DHCP, APIPA	Used in automatic setting for the IP address and so on

Network parameters

Item	Default settings
IP address	192.168.192.168*
Subnet mask	255.255.255.0*
Default gateway	0.0.0.0*
IP address acquisition	Automatic
APIPA	Disabled
arp/ping	Disabled
IP Address Printing	Enabled
Socket Timeout	90 seconds
Standard Community Name (Read Only)	Fixed at "public"
Community name (Read Only)	no value
Community name (Read/Write)	no value
SNMP IP Trap 1	Disabled
SNMP IP Trap 2	Disabled
Communication mode	Auto negotiation
IP Filter	Disabled

* Initial value when "Acquiring the IP Address" is set to "Manual."

Wi-Fi Interface

NOTE

- Countries where Wi-Fi can be used are limited. Since notes are provided for each country, check the sheet supplied with the product.
- When using wireless LAN, make sure you disconnect the LAN cable. If a LAN cable is connected, wireless LAN is disabled.

Specification

- IEEE802.11b/g/n (2.4 GHz band) or IEEE802.11a/b/g/n (2.4 GHz or 5 GHz band) compliant Wi-Fi communication compatible.
- Infrastructure mode and 802.11 Ad-hoc mode are supported.

Communication Standard

When using OT-WL02:

- IEEE802.11b (2.4 GHz)
- IEEE802.11g (2.4 GHz)
- IEEE802.11n (2.4 GHz)

When using OT-WL05:

- IEEE802.11b (2.4 GHz)
- IEEE802.11g (2.4 GHz)
- IEEE802.11n (2.4 GHz)
- IEEE802.11a (5 GHz)
- IEEE802.11n (5 GHz)

Security

Security can be selected from among the following:

- WEP
- WPA-PSK(AES): WPA-PSK(AES), WPA-PSK(TKIP), WPA2-PSK(AES), WPA2-PSK(TKIP) can be connected
- WPA2-PSK: WPA2-PSK(AES), WPA2-PSK(TKIP) can be connected
- WPA2-Enterprise

Settings in SimpleAP mode (Factory default settings)

Parameter	Setting value
SSID	EPSON_Printer
Passphrase	12345678
IP Address	192.168.192.168
Subnet mask	255.255.255.0

* In SimpleAP mode, DHCP Server is working and assigns IP address to host automatically.

Settings in Standard Mode

Parameter	Default setting
Communication standard	802.11b/g/n
Network mode	Infrastructure mode
SSID	EPSON_Printer
Encryption type	WPA2-PSK
Passphrase	EpsonNet
IP Address	Automatically acquired by DHCP

Printing communication protocol

- LP, LPR: Transfers printing data
- TCP Socket Port: Transfers printing data and printer status via bidirectional direct socket communication.

LP, LPR

- Max. simultaneous connections: 6
- Number of connections for which printing is available: 1 (Other users need to wait until printing is completed.)
- Time out: 90 sec. (changeable)
- Job cancel: Not available
- Banner printing: Not available

Socket communication

- Port type: TCP communication port for direct printing
- Port number: 9100
- Port communication direction: bidirectional
- Max. simultaneous connections: 6
- Number of connections for which printing is available: 1 (Other users need to wait until printing is completed.)
- Time out: 90 sec. (changeable)

Notes on Using the Wi-Fi Model

- Keep the printer away from the devices, such as kitchen microwaves, that may cause radio wave interference.
- Use channels that are away from the frequency bands that may cause radio wave interference.
- Place shields between the printer and the devices that may cause radio wave interference.
- Select either 2.4 GHz or 5 GHz, whichever is free from radio wave interference.
- In auto channel setting for the access point, do not select a channel in which the printer may cause radio wave interference.

Notes on Wi-Fi connection

Because not all the combinations of the printer and Wireless LAN units have been checked for operation, the operation of the printer in combination with all the Wireless LAN units is not guaranteed. Especially in the ad-hoc mode, the printer may not operate normally, depending on the combination of the device to connect with. Be sure to carry out evaluation of the operation before use.

Notes on use

- When you initialize or change the printer settings, the printer is reset to reflect the settings. It may take about 1 minute depending on the network settings or environment. Also, your application may indicate power off during the time waiting for reset. In that case, wait for about 1 minute, and then reconnect to the printer.
- Where Wi-Fi communication is in heavy traffic, your application may falsely recognize that the communication is disconnected and indicate power off due to response delay. In that case, disable Power Save to improve the trouble.

Bluetooth Interface

CAUTION

- Countries where *Bluetooth* can be used are limited. Since notes are provided for each country, check the sheet supplied with the product.
- The circuit board installed in the UIB interface section is for *Bluetooth* models only. This cannot be replaced so do not remove it.

Specification

- *Bluetooth* 3.0 (EDR supported)
- *Bluetooth* Power Class 2
- Built-in antenna

Default Settings

Setting Contents	Setting Items	Default Settings
<i>Bluetooth</i> communication settings	Bluetooth passkey	"0000"
	Bluetooth device name	"TM-T88VI_XXXXXX" (Where XXXXXX is the last six digits in the serial number)
	Bundle Seed ID	"TXAEAV5RN4"
	Enable/Disable auto reconnect to iOS device	"1" (Enable)
	Bluetooth Security	Low
	Bluetooth communication interval during power saving mode	Level 1 (Standard)

Auto Reconnect Feature

The auto reconnect feature allows the printer to automatically restore a connection in the following situations if the *Bluetooth* connection to the iOS device is lost.

- When the printer is turned on
- When the signal is dropped and then restored

The following shows the printer operations and connection methods when the auto reconnect feature is enabled or disabled.

Auto Reconnect Feature	Enabled	Disabled
Printer operations when <i>Bluetooth</i> is disconnected	Perform the following reconnection sequence. [Reconnection sequence] 1.The printer tries to connect to the iOS device to which it was last connected. 2.When step 1 fails, the printer waits for connections from other devices. 3.If connection is not established in step 2, the printer tries again to connect to the iOS device to which it last connected. Steps 1 and 2 are repeated until a connection is established.	Wait for a connection from the <i>Bluetooth</i> device.
Reconnecting to iOS device	Reconnect automatically.	Make settings on the <i>Bluetooth</i> settings screen on the iOS device.
Switch to connection from other device	Method 1: After disabling the <i>Bluetooth</i> feature of the connected iOS device, make connection settings on the <i>Bluetooth</i> device that you want to connect. (When the auto reconnect feature is enabled, it may take some time to connect.)	
	Method 2: After disconnecting from the connected iOS device using applications with the Epson TM Utility for iOS or Epson ePOS SDK disconnection feature, make settings on the <i>Bluetooth</i> device you want to connect.	

* In the following situations, even if the feature is enabled, the same operations are performed as when it is disabled.

- When pairing is canceled from the connected iOS device.
- When the last *Bluetooth* device connected was not an iOS device.
- When wireless communication settings are initialized from the printer.

* Disable this feature when using the printer from devices that are not running iOS. Otherwise, it may take some time to connect.

* For details on the Auto Reconnect Feature, see "[Interface Setup Mode](#)" on page 76.

Notes on use

Time required until printing starts

If the host computer and the printer are not connected on a continuous basis but rather connected every time the printer starts printing, some time may be needed for the printer to actually start printing after the host computer commands printing. This pause is the time required for processing the connection between the host computer and the printer.

After opening the port, leave an interval of 300 msec or more before sending data to the port.

Timing to shut the connection off

If a connection between the host computer and the printer is shut off while the printer is offline, it may not be re-established. In this case, first clear the printer offline causes, and then try to re-establish the connection.

Multi-tone printing

When performing multi-tone printing over *Bluetooth*, the print speed may fluctuate or intermittent printing may occur due to data transfer conditions, also the print shade may change or white lines may occur.

Interference from Wi-Fi

2.4 GHz Wi-Fi may interfere with *Bluetooth* communication. Using the optional Wireless LAN cable set (OT-WLxx) with 2.4 GHz may disrupt *Bluetooth* communication or printing. 5 GHz Wi-Fi is recommended when using Wi-Fi with *Bluetooth*.

Notes when communicating with Android devices

- The printer cannot connect to Android 2.3 and 2.3.2.
- When communicating with Android 2.3.3 or later versions, communicate through an insecure connection.

Notes when communicating with iOS devices

Print data deletion and *Bluetooth* disconnections occur

Situation

Depending on the specifications of the iOS device, print data sent to the printer may be deleted. When this occurs, the *Bluetooth* connection between the printer and the iOS device is disconnected.

Conditions

This occurs when the printer is not ready to print, and 64 KB or more of print data is sent to the printer.

<Status in which the printer cannot print>

- When the roll paper cover is open
- When the paper is out

Solution

Do not send data to the printer if the printer is not ready to print.

For developers using the SDK from Epson, see the SDK User's Manual provided.

Since *Bluetooth* is disconnected when this occurs, if the auto reconnect feature is not enabled, you need to reconnect from the *Bluetooth* settings screen on the iOS device.

When using the SDK from Epson, this connection process is not necessary.

The iOS application cannot receive the data sent from the printer

Situation

Although the printer sends data to the iOS device and the data is received by the iOS device, depending on the combination of the iOS version and the iOS device, the iOS application may not be able to receive the data.

Conditions

This may occur in combinations of the following conditions.

- iOS version: 7.1, 7.1.1
- iOS device: iPhone 5s, iPhone 5c, iPhone 5, iPad Air, iPad mini 3, iPad (4th generation), iPad mini, iPod touch (5th generation), iPhone 4s, iPad (3rd generation), iPad 2
- Application processing: If the *Bluetooth* port is closed and then reopened while the application is running.

Solution

The solution differs depending on the iOS device being used. See the following table.

iOS Device	Solution
iPhone 4s iPad (3rd generation) iPad 2	This situation can be avoided by using the Epson ePOS SDK for iOS.

RS-232 Serial Interface

Interface board specifications (RS-232-compliant)

Item	Specifications				
Data transfer method	Serial				
Synchronization	Asynchronous				
Handshake	Select one of the following with DIP switch 1-3: <ul style="list-style-type: none"> • DTR/DSR • XON/XOFF 				
Signal level	<table border="0"> <tr> <td>MARK</td> <td>-3V to -15V logic "1"/OFF</td> </tr> <tr> <td>SPACE</td> <td>+3V to +15V logic "0"/ON</td> </tr> </table>	MARK	-3V to -15V logic "1"/OFF	SPACE	+3V to +15V logic "0"/ON
MARK	-3V to -15V logic "1"/OFF				
SPACE	+3V to +15V logic "0"/ON				
Bit length	Select one of the following with DIP switch 1-4: <ul style="list-style-type: none"> • 7 bit • 8 bit 				
Transmission speed [bps: bits per second]	<ul style="list-style-type: none"> • Select one of the following with DIP switch 1-7/1-8: 4800/9600/19200/38400 bps • Select one of the following with commands: 2400/4800/9600/19200/38400/57600/115200 bps 				

Item		Specifications
Parity check		Select one of the following with DIP switch 1-5: <ul style="list-style-type: none"> • Yes <li style="margin-left: 200px;">• No
Parity selection		Select one of the following with DIP switch 1-6: <ul style="list-style-type: none"> • Even <li style="margin-left: 200px;">• Odd
Stop bit		1 or more bits However, the stop bit for data transfer from the printer is fixed to 1 bit.
Connector	Printer side	DSUB 25-pin (female) connector

Functions of each connector pin

Pin no.	Signal name	Signal direction	Function
1	FG	—	Frame ground
2	TXD	Output	Transmission data
3	RXD	Input	Reception data
4	RTS	Output	Equivalent to DTR signal (pin 20)
6	DSR	Input	<p>This signal indicates whether the host computer can receive data.</p> <p>SPACE indicates that the host computer can receive data. MARK indicates that the host computer cannot receive data.</p> <p>When DTR/DSR control is selected, the printer transmits data after confirming this signal (except if transmitted using some ESC/POS commands).</p> <p>When XON/XOFF control is selected, the printer does not check this signal.</p> <p>Changing DIP switch 2-7 lets this signal be used as a printer reset signal.</p> <p>When you use this signal as the printer's reset signal, the printer is reset when the signal remains MARK for a pulse width of 1 ms or more.</p>
7	SG	—	Signal ground

Pin no.	Signal name	Signal direction	Function
20	DTR	Output	<p>1) When DTR/DSR control is selected, this signal indicates whether the printer is BUSY.</p> <ul style="list-style-type: none"> • SPACE status <p>Indicates that the printer is ready to receive data.</p> <ul style="list-style-type: none"> • MARK status <p>Indicates that the printer is BUSY. Set BUSY conditions with DIP switch 2-1.</p> <p>2) When XON/XOFF control is selected, the signal indicates that the printer is properly connected and ready to receive data from the host. The signal is always SPACE, except in the following cases:</p> <ul style="list-style-type: none"> • During the period from when power is turned on to when the printer is ready to receive data. • During the self-test.
25	INT	Input	<p>Changing DIP switch 2-8 enables this signal to be used as a reset signal for the printer. The printer is reset if the signal remains at SPACE for a pulse width of 1 ms or more.</p>

XON/XOFF

When XON/XOFF control is selected, the printer transmits the XON or XOFF signals as follows. The transmission timing of XON/XOFF differs, depending on the setting of DIP switch 2-1.

Signal	Printer status	DIP switch 2-1	
		1 (ON)	0 (OFF)
XON	1) When the printer goes online after turning on the power (or reset using the interface)	Transmit	Transmit
	2) When the receive buffer is released from the buffer full state	Transmit	Transmit
	3) When the printer switches from offline to online	—	Transmit
	4) When the printer recovers from an error using some ESC/POS commands	—	Transmit
XOFF	5) When the receive buffer becomes full	Transmit	Transmit
	6) When the printer switches from online to offline	—	Transmit

Code

The hexadecimal numbers corresponding to the XON/XOFF codes are shown below.

- XON code: 11H
- XOFF code: 13H



- When the printer goes from offline to online and the receive buffer is full, XON is not transmitted.
- When the printer goes from online to offline and the receive buffer is full, XOFF is not transmitted.
- When DIP switch 1-3 is off, XON is not transmitted as long as the printer is offline, even if a receive buffer full state has been cleared.

IEEE 1284 Parallel Interface

Modes

The IEEE 1284 parallel interface supports the following two modes.

Mode	Communication direction	Other information
Compatibility mode	Host → Printer communication	Centronics-compliant
Reverse mode	Printer → Host communication	Assumes a data transfer from an asynchronous printer

Compatibility Mode

Compatibility mode allows data transmission from host to printer only: Centronics-compatible.

Specification

Data transmission	8-bit parallel
Synchronization	Externally supplied $\overline{\text{STROBE}}$ signals
Handshaking	$\overline{\text{ACK}}$ and BUSY signals
Signal levels	TTL-compatible connector
Connector	ADS-B36BLFDR176 (HONDA) or equivalent product
Reverse communication	Nibble or byte mode

Reverse Mode

The transfer of status data from the printer to the host proceeds in the nibble or byte mode.

This mode allows data transfer from an asynchronous printer under the control of the host. Data transfers in the nibble mode are made via the existing control lines in units of four bits (a nibble). In the byte mode, data transfer proceeds by making the 8-bit data lines bidirectional. Both modes fail to proceed concurrently in the compatibility mode, thereby causing half-duplex transmission.

Interface signals

Pin	Source	Compatibility Mode	Nibble Mode	Byte Mode
1	Host	Strobe	HostClk	HostClk
2	Host/Ptr	Data0 (LSB)	Data0 (LSB)	Data0 (LSB)
3	Host/Ptr	Data1	Data1	Data1
4	Host/Ptr	Data2	Data2	Data2
5	Host/Ptr	Data3	Data3	Data3
6	Host/Ptr	Data4	Data4	Data4
7	Host/Ptr	Data5	Data5	Data5
8	Host/Ptr	Data6	Data6	Data6
9	Host/Ptr	Data7 (MSB)	Data7 (MSB)	Data7 (MSB)
10	Printer	$\overline{\text{Ack}}$	PtrClk	PtrClk
11	Printer	Busy	PtrBusy/Data3,7	PtrBusy
12	Printer	Perror	AckDataReq/Data2,6	AckDataReq
13	Printer	Select	Xflag/Data1,5	Xflag
14	Host	$\overline{\text{AutoFd}}$	HostBusy k	HostBusy
15		NC	ND	ND
16		GND	GND	GND
17		FG	FG	FG
18	Printer	Logic-H	Logic-H	Logic-H
19		GND	GND	GND
20		GND	GND	GND
21		GND	GND	GND
22		GND	GND	GND
23		GND	GND	GND
24		GND	GND	GND
25		GND	GND	GND
26		GND	GND	GND
27		GND	GND	GND
28		GND	GND	GND
29		GND	GND	GND
30		GND	GND	GND

Pin	Source	Compatibility Mode	Nibble Mode	Byte Mode
31	Host	$\overline{\text{Init}}$	$\overline{\text{Init}}$	$\overline{\text{Init}}$
32	Printer	$\overline{\text{Fault}}$	$\overline{\text{DataAvail/Data0,4}}$	$\overline{\text{DataAvail}}$
33		GND	ND	ND
34	Printer	DK_STATUS	ND	ND
35	Printer	+5V	ND	ND
36	Host	$\overline{\text{SelectIn}}$	1284-Active	1284-Active

NC: Not Connected

ND: Not Defined



CAUTION

- A signal name with a rule above it indicates an "L" active signal.
- Bidirectional communications cannot take place, unless all signal names for both sides correspond to each other.
- Connect all signal lines using a twisted-pair cable. Connect the return side to the signal ground level.
- Make sure the signals satisfy electrical characteristics.
- Set the leading edge and trailing edge times to 0.5ms or less.
- Do not ignore $\overline{\text{Ack}}$ or BUSY signals during a data transfer. Ignoring such signals may result in data corruption.
- Make the interface cables as short as possible.

NFC Tag

Transmission standard	ISO14443 A
Frequency	13.56 MHz
Memory	144 byte
Transmission distance	Approximately 10 mm from the NFC installation location.

CAUTION

When UB-R04 is installed, you cannot use the printer's built-in NFC. Install the NFC tag for the UB-R04 at a location that is remote from the printer's built-in NFC.

NOTE

- The transmission distance is an estimate that depends on our experiment conditions and is not a guaranteed value.
- It varies based on the installation environment and target device.

Bluetooth Low Energy Technology Advertising

Introduction

When you connect the BT820 from Lairdtec to the USB A connector on the TM-T88VI and turn it on, the *Bluetooth* low energy technology Advertising Packet is transmitted. By default, the TM-T88VI transmits the packet according to the iBeacon Format from Apple. You can also change the data that is transmitted by following the steps in "[Changing the Bluetooth Low Energy Technology Advertising Packet](#)" on page 135.

Glossary:

Term	Description
<i>Bluetooth</i> Low Energy Technology Advertising	The name of this function.
<i>Bluetooth</i> Low Energy Technology Advertising Packet	The data sent by this function from the printer.
<i>Bluetooth</i> adapter	The BT820 from Lairdtec A USB dongle to connect to the USB Type A connector.
iBeacon	The format stipulated by Apple for <i>Bluetooth</i> low energy technology Advertising Packets When using the default settings for the TM-T88VI (<i>Bluetooth</i> adapter installed in the printer and the printer is on), the <i>Bluetooth</i> low energy technology Advertising Packet is transmitted in iBeacon format.

Dongle specifications

Manufacturer: Laird Tech

Model name: BT-820

For setting methods and settings, see the TM-T88VI Utility User's Manual.

Procedure

When turning on the TM-T88VI, the *Bluetooth* adapter connected to the USB Type A connector is enabled. If you install the *Bluetooth* adapter after turning on the printer, this is not enabled.

Bluetooth Low Energy Technology Advertising Packet Format

In the TM-T88VI, the iBeacon format is used by default for the *Bluetooth* low energy technology Advertising Packet.

The UUID for the T88VI is "fac1ba2f-61a2-4d83-9a8c-60087c232569".

The user can edit the following specifications in the iBeacon format: UUID, Major number, Minor number, and Measured Power.

Table 1 iBeacon Packet Format

Content	Data Length	Value	Description
Length of this data	1 byte	02h	
AD type	1 byte	01h	Adtype: flags
Flags	1 byte	06h	Fixed value (06h)
Length of this data	1 byte	1Ah	Fixed value (1Ah)
AD type	1 byte	FFh	Adtype: Company identifier
Company Identifier code	2 bytes	004Ch	Apple's manufacture ID
iBeacon type	1 byte	02h	Incomplete List of 16-bit service UUIDs
iBeacon length	1 byte	15h	15h=21=16+2+2+1
UUID	16 bytes	-	Default UUID = fac1ba2f-61a2-4d83-9a8c-60087c232569
Major Number	2 bytes	-	
Minor Number	2 bytes	-	
Measured Power	1 byte	05h	C5h: -59dB

Changing the *Bluetooth* Low Energy Technology Advertising Packet

The TM-T88VI can acquire a configuration script from the printer.

You can also change settings by transmitting the configuration script to the printer.

The configuration script only supports UTF-8 encoding.

The iBeacon Format is defined in the configuration script by default for the TM-T88VI.

You can change this Packet Format to support Eddystone-UID or Eddystone-URL.

However, the T88VI only supports single Advertising Data Packets.

You can change the settings using either of the following two methods.

- Changing settings using the Epson TM-T88VI Utility for Windows (see the TM-T88VI Utility User's Manual for details)
- Changing settings using an HTTP Request

The method of changing settings via an HTTP Request is explained below.

Digest authentication

You need Digest authentication to communicate with the printer.

The default ID and Password are ID: epson, Pass: epson and are the same as the administrator for Network settings.

Escape processing for configuration scripts

When reading/writing a configuration script for a printer, the strings (content of the configuration script) being transmitted and received uses the following escape processing. However, escape is not performed for uXXXX (hexadecimal strings) such as Japanese.

Table 2 Escape Processing

Escape	Description
\"	quotation mark
\\	reverse solidus
\b	backspace
\f	form feed
\n	line feed
\r	carriage return
\t	tab
\u002F	solidus
\u003C	<
\u003E	>
\u002B	+

Acquiring the configuration script from the printer using an HTTP request

A response for the json format is acquired using the GET method for the HTTP request.

Request

Table 3 Request Header

Request header: Content-Type: text/plain; charset=utf-8 http://(printer IP address)/webconfig/beacon.cgi?Type=(one of the following Table 4 Types)

Table 4 Types

Type	Description
(none)	If a Type is left out, the same operation is performed as when current is specified.
current	Specifies the currently enabled configuration script.
volatile	Specifies the configuration script stored in RAM.
static	Specifies the configuration script stored in ROM.
default	Specifies the default configuration script.
status	Acquires information for the <i>Bluetooth</i> adapter.

Response

Table 5 Response Header

Content-Type: application/json; charset=utf-8 Access-Control-Allow-Origin: * Access-Control-Allow-Methods: POST, GET, OPTIONS, HEADER Access-Control-Allow-Headers: Content-Type, Content-Length, Authorization X-Content-Type-Options: nosniff X-XSS-protection: 1; mode=block X-Frame-Options: deny Content-Security-Policy: default-src 'none' WWW-Authenticate: Digest realm="<IPAddr>", nonce="xx", qop="auth"

Table 6 Response

Function	GET Parameter	Results	Response
Acquires the configuration script currently enabled	Type=current Or no Type is set	Acquisition successful	200 OK
Acquires the configuration script on the RAM	Type=volatile	Acquisition successful	200 OK
		Acquisition failed (No file)	404 Not Found
Acquires the configuration script on the ROM	Type=static	Acquisition successful	200 OK
		Acquisition failed (No file)	404 Not Found
Acquires the Default configuration script	Type=default	Acquisition successful	200 OK
Acquires information from the <i>Bluetooth</i> adapter	Type=status	Acquisition successful	200 OK
		Acquisition failed (No adapter connected)	404 Not Found
Others	Type = Other than the above or A parameter except for Type exists	Type is invalid	400 Bad Request

Table 7 GET Response Body

Response Status	Response Body
200 OK	<pre>{ "message": "Success" "detail": null "description": <Encoded string for the configuration script> }</pre>

Response Status	Response Body
404 Not Found	<pre>"message": "Requested file not found" "detail": null "description" : null }</pre>
400 Bad Request	<pre>{ "message": "Invalid Parameter" "detail": null "description" : null }</pre>

Table 8 GET Response Body (Type=status)

Response Status	Response Body
200 OK The HCI Version for the <i>Bluetooth</i> adapter is 6 or higher Link	<pre>{ "message": "Success", "detail": null, "description" : { "VendorID": "0a12", "ProductID": "0001", "ProductName": "CSR8510 A10", "Bluetooth LE": "Support" } }</pre>
200 OK The HCI Version for the <i>Bluetooth</i> adapter is 5 or lower	<pre>{ "message": "Success", "detail": null, "description" : { "VendorID": "0a12", "ProductID": "0001", "ProductName": "(no name)", "Bluetooth LE": "Not support" } }</pre>
404 Not Found Adapter not connected	<pre>"message": "Beacon dongle not connected", "detail": null, "description" : null }</pre>

Writing the configuration script to the printer

You can save a configuration script to the printer using the HTTP POST method.

You can save the configuration script to volatile or non-volatile memory.

When changing using a low frequency less than once an hour, you can save to non-volatile memory; however, when changing at a higher frequency, you need to save to volatile memory.

When the change is successful, the advertising data is changed.

Request

```
Content-Type: text/json; charset=utf-8
http://(printer IP address)/webconfig/beacon.cgi
```

See the POST parameters in Table 10 Response for the parameters.

Response

Table 9 Response Header

```
Content-Type: application/json; charset=utf-8
Access-Control-Allow-Origin: *
Access-Control-Allow-Methods: POST, GET, OPTIONS, HEADER
Access-Control-Allow-Headers: Content-Type, Content-Length, Authorization
X-Content-Type-Options: nosniff
X-XSS-protection: 1; mode=block
X-Frame-Options: deny
Content-Security-Policy: default-src 'none'
X-RateLimit-Limit: 1 (when type=static only)
X-RateLimit-Remaining: 1 or 0 (when type=static only)
X-RateLimit-Reset: 1390941626 (when type=static only)
WWW-Authenticate: Digest realm="<IPAddr>", nonce="xxxxxxxxxxxxxxxxxxxxxxxxxxxxxxxxxxxxxxxx", qop="auth"
```

Table 10 Response

Function	POST Parameters	Results	Response
Updating the configuration script in volatile memory	<pre>{ "type": "volatile", "description": "<The string for the configuration script that performed escape processing>" }</pre>	Update successful	200 OK
		Update failed	413 Request Entity Too Large
		When the parameter is too long	
Deletes the configuration script from volatile memory	<pre>{ "type": "volatile", "description": "delete" }</pre>	Update failed	500 Internal Server Error
		When an error occurs when applying a new configuration script	
Deletes the configuration script from volatile memory	<pre>{ "type": "volatile", "description": "delete" }</pre>	Deleting successful	200 OK
		Deleting failed	500 Internal Server Error

Function	POST Parameters	Results	Response
Updates the configuration script in non-volatile memory	<pre>{ "type": "static", "description": "<The string for the configuration script that performed escape processing>" }</pre>	Update successful	200 OK It has following header: X-RateLimit-Limit: 1 X-RateLimit-Remaining: 0 X-RateLimit-Reset: xx
		Update failed When the parameter is too long	413 Request Entity Too Large It has following header: X-RateLimit-Limit: 1 X-RateLimit-Remaining: 1 X-RateLimit-Reset: xx
		Update failed When an error occurs when applying a new configuration script	500 Internal Server Error It has following header: X-RateLimit-Limit: 1 X-RateLimit-Remaining: 0 X-RateLimit-Reset: xx
		Update failed When the gap between updating is more than once an hour	429 Too Many Requests It has following header: X-RateLimit-Limit: 1 X-RateLimit-Remaining: 0 X-RateLimit-Reset: xx
Deletes the configuration script from non-volatile memory	<pre>{ "type": "static", "description": "delete" }</pre>	Deleting successful	200 OK
		Deleting failed	500 Internal Server Error
Others	<ul style="list-style-type: none"> No parameters Invalid parameters Error in escape processing 	Update failed	400 Bad Request

Table 11 POST Response Body

Response Status	Body
200 OK	{ "message": "Success", "detail": null, "description": < The string for the configuration script that performed escape processing > }
400 Bad Request	{ "message": "Invalid Parameter", "detail": "****", (see Table 12) "description": null }
413 Request Entity Too Large	{ "message": "Request Entity Too Large", "detail": null, "description": null }
429 Too Many Requests	{ "message": "You sent too many requests in a given amount of time.", "detail": null, "description": null }
500 Internal Server Error	{ "message": "Failed to update settings", "detail": "****", (see Table 13) "description": null }

Table 12 400 Bad Request Details

Case	Body
The correct escape processing is not performed at the point escape processing is needed	{ "message": "Invalid Parameter", "detail": "Special characters must be escaped", "description": null }
An undefined Type parameter has been specified	{ "message": "Invalid Parameter", "detail": "A parameter 'type' is invalid", "description": null }

Case	Body
No Type specified Or an invalid parameter has been specified	{ "message": " Invalid Parameter ", "detail": "A parameter 'type' or 'description' is not specified", "description" : null }
When detecting a string with invalid escape processing	{ "message": " Invalid Parameter ", "detail": "Invalid parameter is found", "description": null }

Table 13 500 Internal Server Error Details

Case	Body
Update failed	{ "message": "Failed to update settings", "detail": null, "description" : null }
Deleting failed	{ "message": "Failed to delete settings", "detail": null, "description" : null }
An error occurs when applying a new configuration script	{ "message": " Failed to set the settings to the beacon.", "detail": <Error code from BeaconCtrl> "description" : null }

Editing the Configuration Script

In the configuration script, the settings for the module for *Bluetooth* in Linux can be written in the same way as for the Bluez hcitool, and you can customize the settings.

Make sure you include the following descriptors in the configuration script.

- Advertising stop
- Device address specifications
- Advertising parameter specifications
- Advertising start
- Advertising data specifications

Starting and stopping *Bluetooth* low energy technology Advertising

Format: cmd 0x08 0x000A n

Function: Starting and stopping transmission of the Advertising packet.

Parameter n	Length	Function
00	2 characters	Advertising stop
01	2 characters	Advertising start

NOTE

When specifying a start point, make sure you start Advertising using this command before "[Bluetooth low energy technology Advertising Packet specifications](#)" on page 144.

Device address specifications

Format: cmd 0x08 0x0005 n6 n5 n4 n3 n2 n1

Function: Specify a BD Address. Specify a value in Little Endian.

NOTE

As a Random Static Address is used in T88VI, bit7 and bit6 for n1 need to be set to 1.

Bluetooth low energy technology Advertising parameter specifications

Format: cmd 0x08 0x0006 aL aH bL bH c d e f1 f2 f3 f4 f5 f6 g h

Function: Sets a variety of parameters for the Advertising packet.

Definition	Length	Default	Description
Min advertising Interval	2 bytes	aL: a0 aH: 00	00a0h * 0.625 = 100ms Period 00a0h is the minimum that can be specified.
Max advertising Interval	2 bytes	bL: a0 bH: 00	00a0h * 0.625 = 100ms Period 00a0h is the minimum that can be specified.
Advertising type	1 bytes	c: 03	03h: ADD_NONCONN_IND
Own address type	1 bytes	d: 01	01h: random device address
Peer address type	1 bytes	e: 00	00h: public device address
Peer address	6 bytes	f1-f6: 00	No use
Advertising channel map	1 bytes	g: 07	07h: All channel enabled
Advertising filter policy	1 bytes	h: 02	02h: Process scan requests from all devices and only connection requests from devices that are in the White List.

See the *Bluetooth* specifications for details.

Bluetooth low energy technology Advertising Packet specifications

Format: cmd 0x08 0x0008 d1 d2 ... d32

Function: Sets the Data for the *Bluetooth* low energy technology Advertising packet.

Specify all from d1 to d32. If these are not necessary, specify 00 for each one.

Definition	Length	Default (iBeacon)	Description
Advertising data length	1 byte	d1: 1e	1eh: 30bytes
Advertising Data	31 bytes	d2: 02 d3: 01 d4: 06 d5: 1a d6: FF d7: 4c d8: 00 d9: 02 d10: 15	02h: Length
		d11-d26: fa c1 ba 2f 61 a2 4d 83 9a 8c 60 08 7c 23 25 69	TM UUID fac1ba2f-61a2-4d83-9a8c- 60087c232569
		d27: 00 d28: Model No.	Major number The Default specifies the ID that indicates the model type using keywords shown in " Keywords " on page 145 . You can also specify a direct value.
		d29: 00 d30: IP address 4th byte	Minor number The Default specifies the 4th sector of the IP address using keywords shown in " Keywords " on page 145 . You can also specify a direct value.
		d31: C5	C5: -59dB
		d32: 00	00h: Fixed value

Keywords

You can specify the following keywords when describing the script.

Reserve String	Length	Content	Example
\$SERIAL_ADDR	6 bytes	Address that uses 1 for the MSB2bit in the last 6 digits of the printer's serial number.	When the Serial No. is ABCD123456, the Address uses 1 for the MSB2bits for the leading 1 byte in the last 6 digits. F1:32:33:34:35:36 is generated and replaced with a string using 36 35 34 33 32 F1 sorted in Little endian.
\$RANDOM_ADDR	6 bytes	Address in which the printer generates a random 6 byte number, and 1 is for the MSB2bit of the leading 1 byte.	Generates a random 6 byte number in the printer and replaces it with a string that sorts the Address using 1 for the MSB2bits for the leading 1byte in Little endian.
\$IPn	1 byte	Value for #n in the printer's IP address.	When the IP address is 192.168.192.168, it is replaced with the following string. IP1: c0 IP2: A8 IP3: 64 IP4: c8
\$MODEL_NO	1 byte	ID value assigned to the printer model.	02h is used for the TM-T88VI. 00: no use 01: reserve 02: TM-T88VI
\$MACn	1 byte	Value for #n in the MAC address.	Available range: \$MAC1,\$MAC2, \$MAC3, \$MAC4, \$MAC5, \$MAC6
\$BD_ADDRn	1 byte	Value for #n in the <i>Bluetooth</i> address.	Available range: \$BD_ADDR1, \$BD_ADDR2, \$BD_ADDR3, \$BD_ADDR4, \$BD_ADDR5, \$BD_ADDR6

Character Code Tables

Refer to the following URL regarding the character code table.

<http://www.epson-biz.com/pos/reference/charcode/>