

# FabWall™

Lab Partition Modules

 **FORMASPACE**

LABORATORY  
FURNITURE  
SOLUTIONS

[www.formaspace.com](http://www.formaspace.com)

# FabWall™

## Customizable. Adjustable.

We understand your research lab is going to change, so we've made our FabWall™ to evolve to your needs today and into the future. These lab partition wall modules are customizable through materials, colors, size, and have continuous flexibility once installed.

Utilize the FabWall™ as an island module or a room partition. Our economical partition system has adjustable shelving components, demising panels, and cabinetry.

Infitely customizable and adjustable, the FabWall™ is ideal for labs seeking future flexibility. Discover the optimal furniture solution with our Design Consultants for your next laboratory project. Need it fast? Take advantage of our 3 week lead times!

## Contact Us

design.consultant@formaspace.com

800.251.1505

formaspace.com



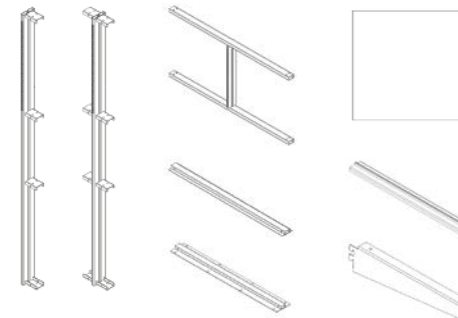
“Efficient, timely and perfect furniture for our lab! We love the flexibility to never-ending changes that occur in lab medicine.”

- L. Davis, Mission Health Hospital

## SYSTEM PARTS

Each FabWall™ partition consists of the following parts.

- end frames
- center frame
- upper h-frame
- intermediate frame
- bottom floor frame
- demising panels
- pvc extrusion
- shelf bracket



## MODIFIERS

Custom configure your FabWall™ to your lab project through shelving, surfaces, cabinetry, pedestals, and parts.

- 3 shelf depths: 12", 15", 18"
- phenolic, stainless, epoxy, high pressure laminate, or steel shelves
- phenolic, stainless, hpl, or epoxy surfaces
- phenolic demising panels
- mobile pedestals, fixed case goods, and adjustable cabinets
- custom materials and configurations

## ACCESSORIES

Add accessories to your FabWall™ modules to increase partition functionality.

- power strip
- monitor arm
- sink
- faucet
- pedestal
- cpu bracket
- light
- hydraulics



Furniture designed for  
innovation, discovery, and to  
inspire the next big thing.

1100 E. Howard Ln, Suite 400

Austin, TX 78753

800.251.1505

[design.consultant@formaspace.com](mailto:design.consultant@formaspace.com)

[www.formaspace.com](http://www.formaspace.com)