



Desktop Station air

Intoroduction rev.3

May 11, 2018

Desktop Station Products



DSair

DCC command station supported Wi-Fi with smartphones. Very small and compact.



DSshield

DSshield is DCC control board for Arduino UNO. PC and standalone is available.



DSmain

Large layout and PC automatic control system use. Our flag-ship command station.



DSbluebox

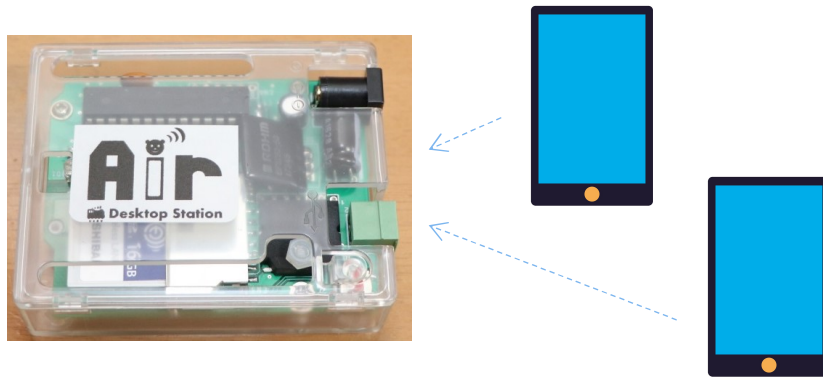
Command Station specialized for CV programming. Easy to use for CV read and write.



DSair's concepts

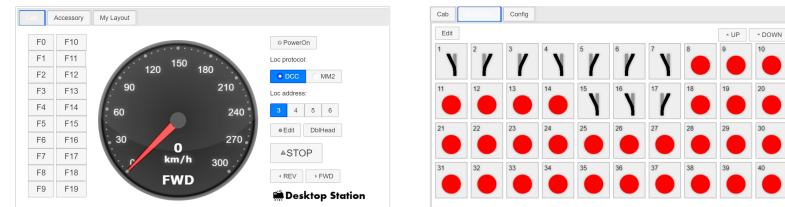


(1) Join with your friends



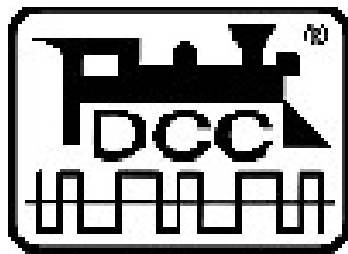
DSair can support with some smart phones sametime! Join and Play!

(2) App install is not required.



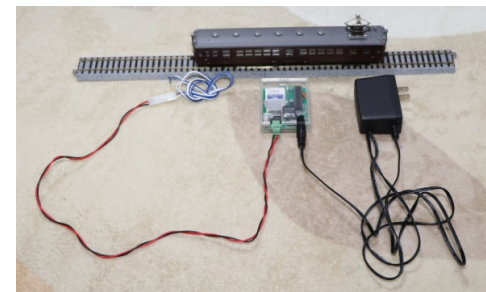
Browse <http://flashair>
Your browser is app screen.

(3) Global Standard



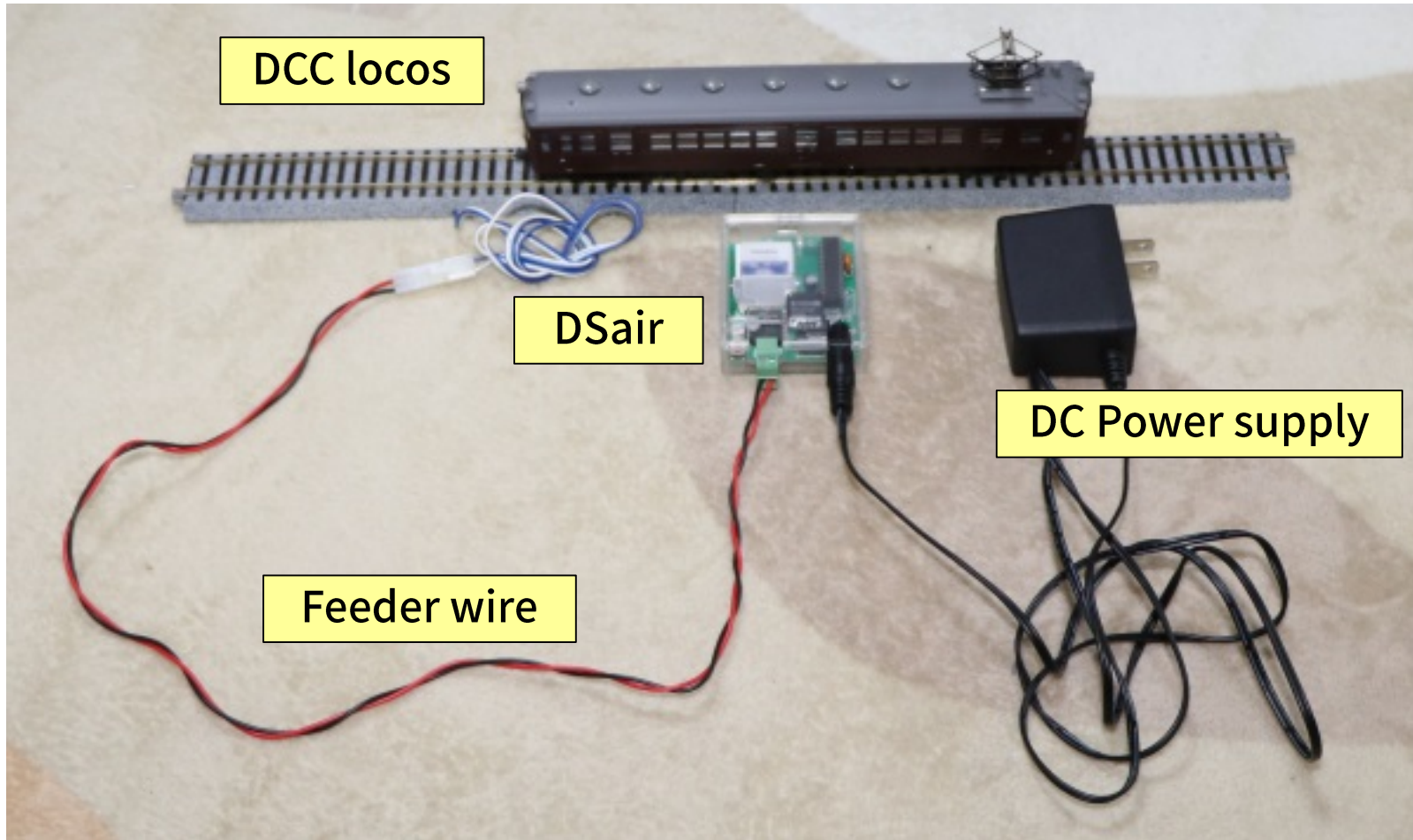
Supported Global famous DCC locos and decoders. We have NMRA DCC Manufacture ID 140.

(4) Very compact!



Not required Wi-Fi router and PC.
DSair is Wi-Fi access point.

- **DSair** requires the following items.



Also please prepare your smartphones!

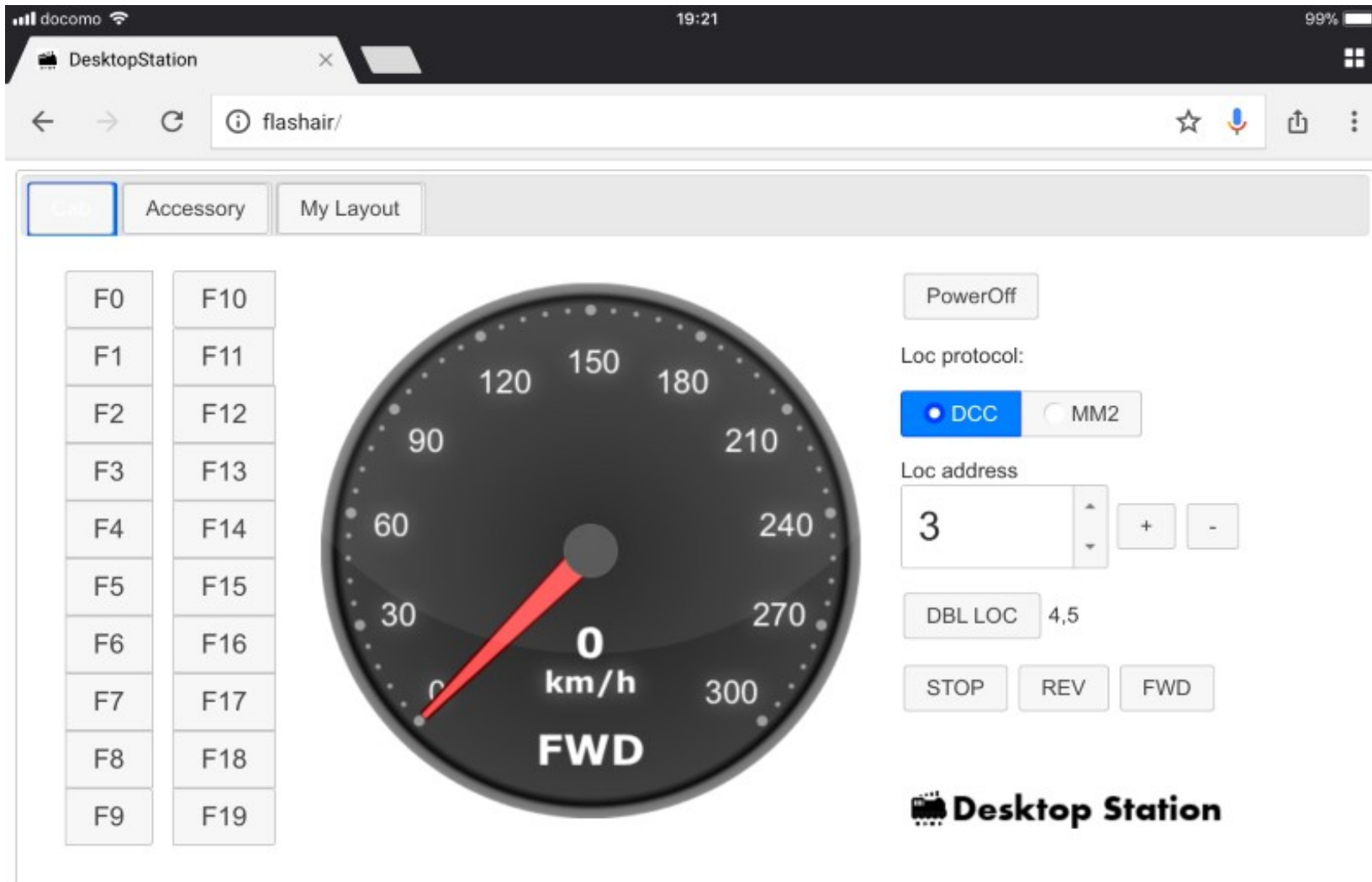


If you used iPad, please configure Wi-Fi settings for connection.



You can see **FlashAir_******* (***** is random numeric or alphabets) as Wi-Fi SSID. Password is **12345678**.
If configuration finished, you can control DSair.

- Open <http://flashair/> at your browser.

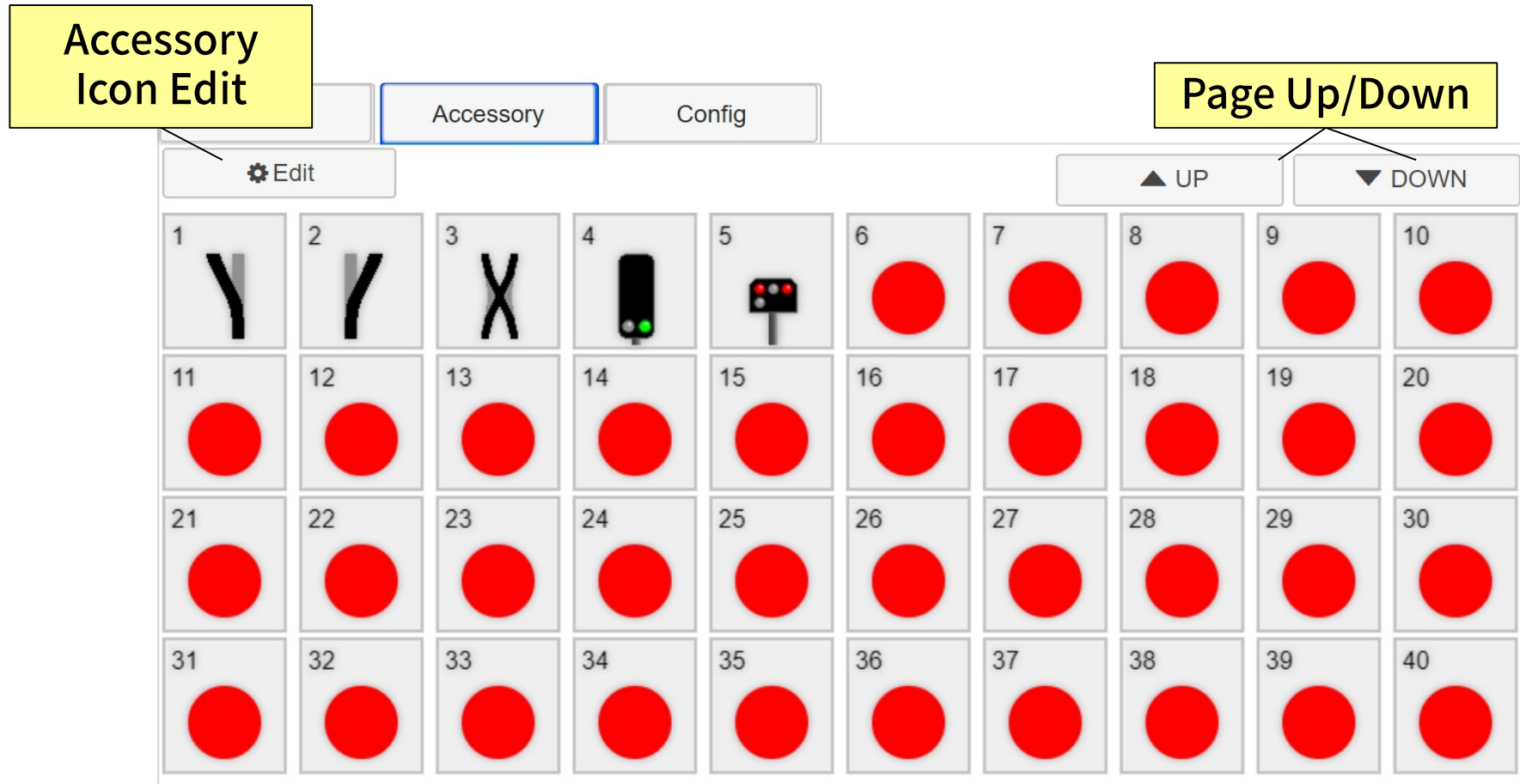


Instruction: Cab



The screenshot shows the Desktop Station software interface. At the top, there are three tabs: 'Cab' (selected), 'Accessory', and 'Config'. On the left side, there is a vertical column of function buttons labeled F0 through F7. In the center is a large circular speedometer with a red needle pointing to 0 km/h. The speedometer has markings at 40, 80, 120, 160, and 240 km/h, and the text 'FWD' with a right-pointing arrow is at the bottom. On the right side, there is a 'Track Power' section with a 'PowerOn' button. Below that is a 'Protocol' section with radio buttons for 'DCC' (selected) and 'MM'. Underneath is a 'Loc address' section with input fields containing '3', '8', '378', and '-'. Below the address fields are buttons for '*Edit' and 'DbHead'. Further down is a 'STOP' button with a warning triangle icon. At the bottom right are three buttons: '←R', '→F', and a double-headed arrow button. Several yellow callout boxes with black text and lines pointing to specific elements are overlaid on the interface:

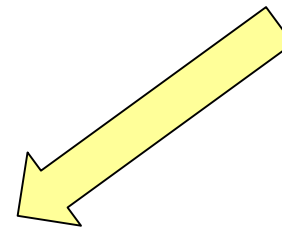
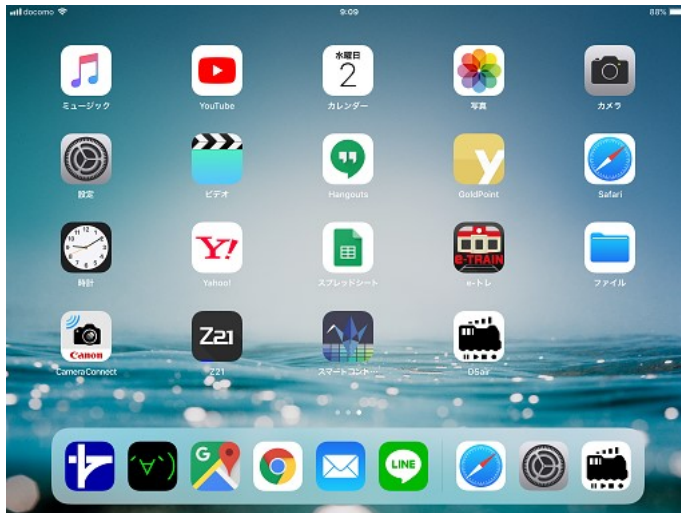
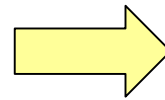
- Function buttons F0-F28**: Points to the vertical column of function buttons on the left.
- Speed meter for speed control**: Points to the central speedometer.
- Addresses**: Points to the 'Loc address' input fields.
- Edit Address**: Points to the '*Edit' button.
- Track Power**: Points to the 'Track Power' section header.
- Protocol**: Points to the 'DCC' and 'MM' radio buttons.
- Double Heads mode**: Points to the 'DbHead' button.
- Stop all**: Points to the 'STOP' button.
- Direction changes**: Points to the '←R' and '→F' buttons.
- Direction reverse mode**: Points to the double-headed arrow button.



If you want to change protocol(DCC/MM2), See Config page.

Add app at home screen(iOS)

- Safari has additional mode for web app.
You can run DSair app easily.

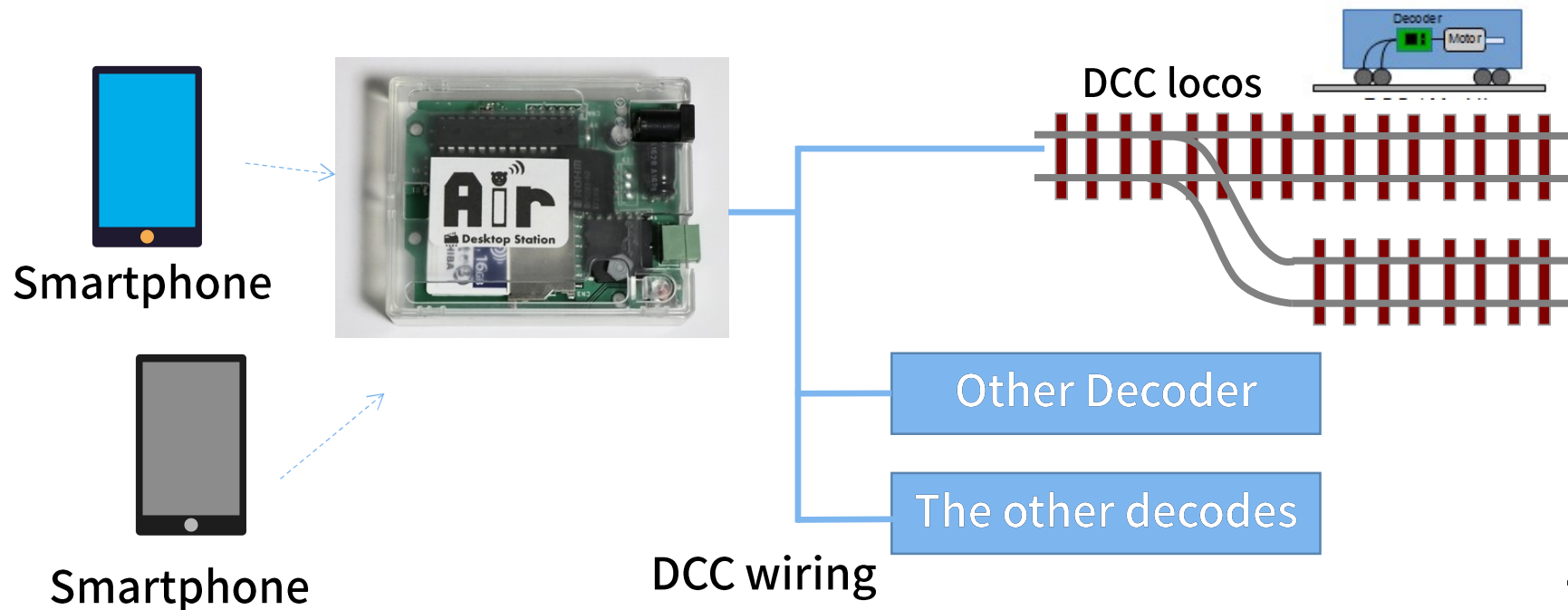


- Chrome has additional mode for web app.
You can run DSair app easily.



DSair use case: Play with friend Desktop Station

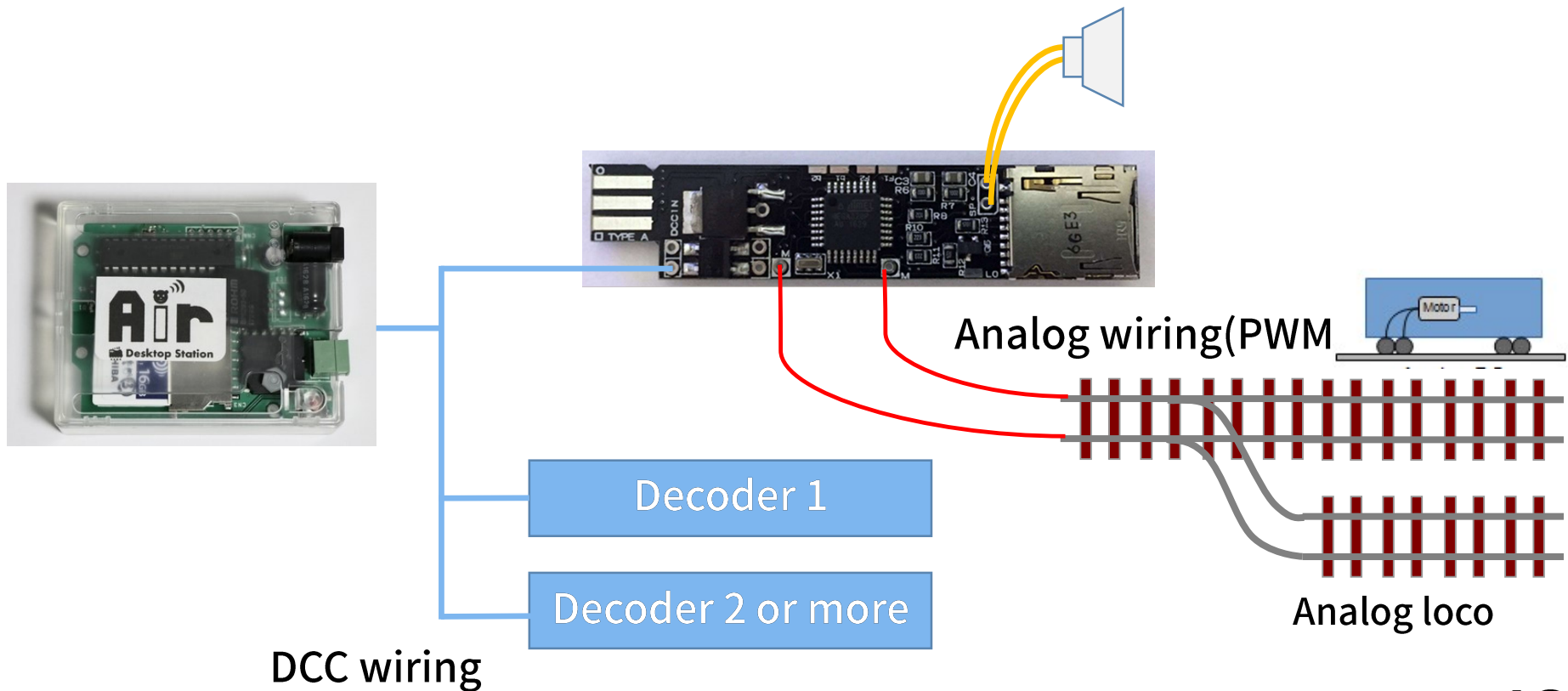
- DSair controls 2 or 3 locos and turnouts.
- Place 2 or 3 locos at same track!
- Control these locos independently with their smart phones.



DSair use case : Analog loco



- DCC decoder can work as Analog power pack.
- If sound decoder used, you can control analog locos with sounds!





Full set
(Incl FlashAir)

150EUR

Expert DIY kits
(Excl FlashAir)

Japan Domestic
only

- Excludes DC power supply
- Excludes shipping fee(8EUR)

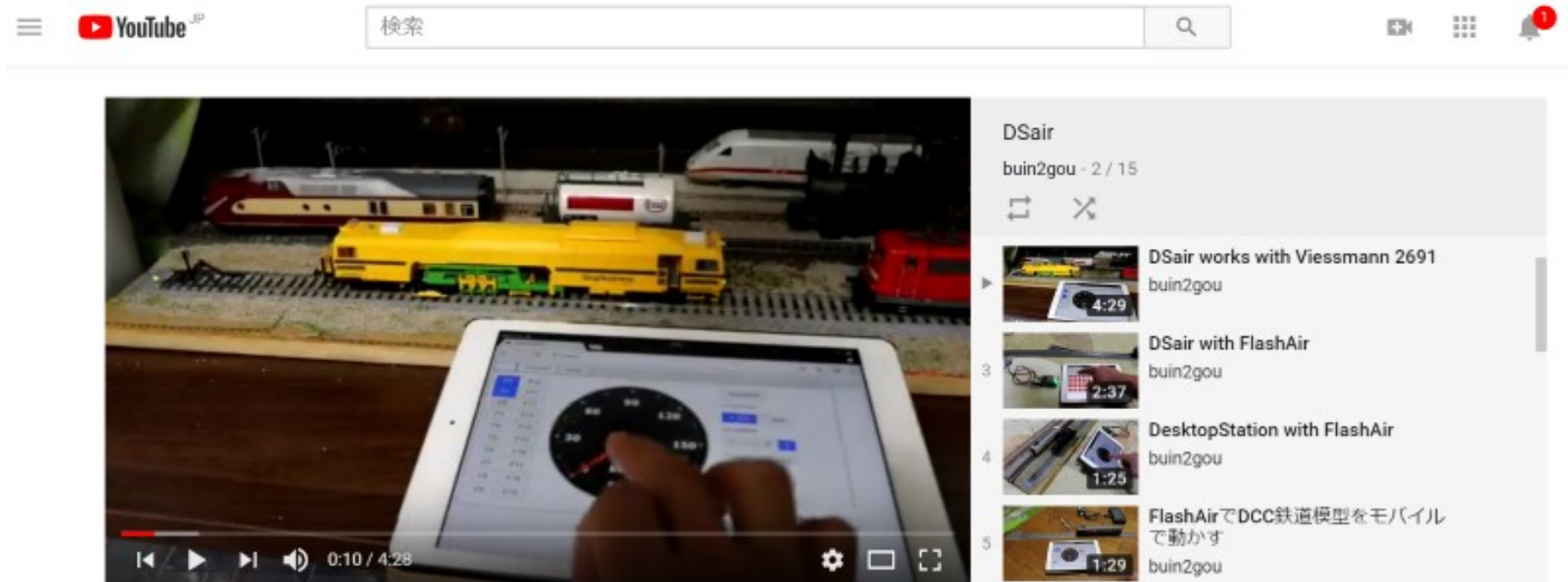
Our products is now on sale at our web order page! International shipping is available!

https://desktopstation.net/wiki/doku.php/dsair_jp



Questions	Answers
Can I control analog loco?	Please use decoder between command station and your analog loco.
How many locos can we run?	5 locos at N scale, 3 locos at HO scale. It depends on track condition and room temperature.
How many smartphones can we connect?	Connection limit is not specified. However, 3 or 4 smartphones are useful. It depends on Wi-Fi congestion.
Where shop can we buy?	Available at our original web shop only.
Web app sceen is broken.	It caused by old smartphone . Update your browser app.
Suddenly stopped.	Safety function may work. Remove the factor and then push reset button.

We uploads many Youtube videos!



DSair works with Viessmann 2691



Please check our Youtube play list.
Scan left QR code!

Based on FlashAir

FlashAir has Wi-Fi access point and Web server mode.
DSair implements Web App which supports Wi-Fi and
several smartphone control at same time.

