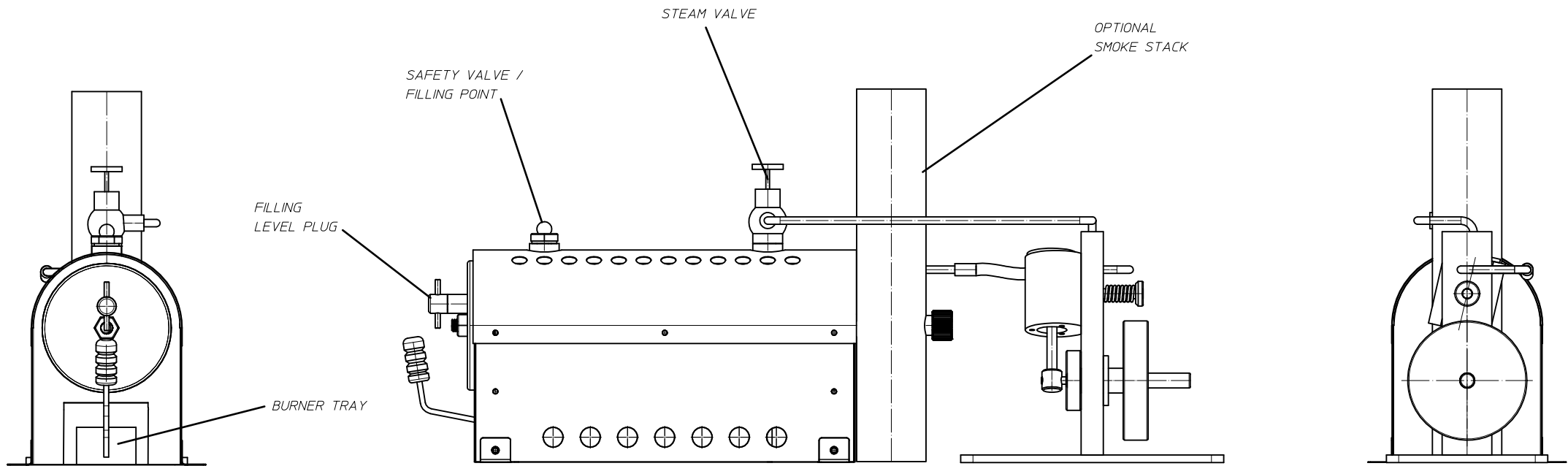
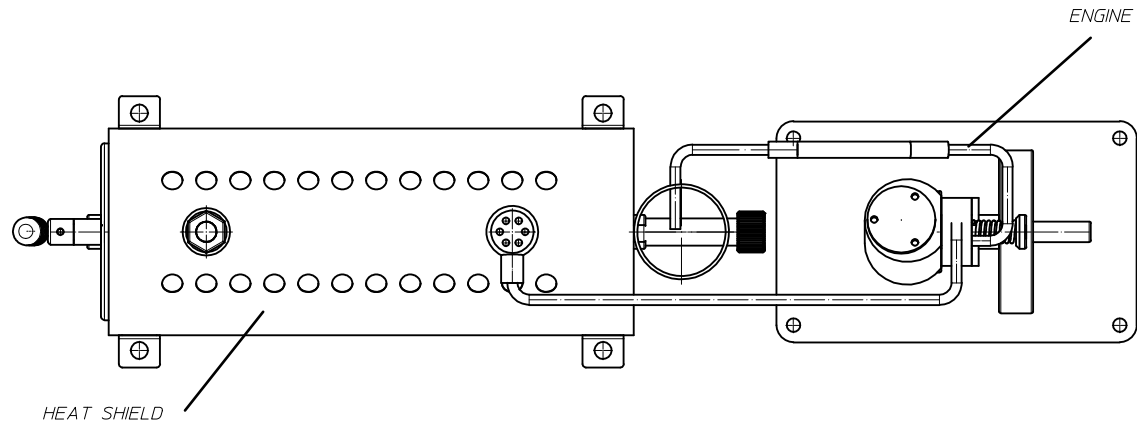
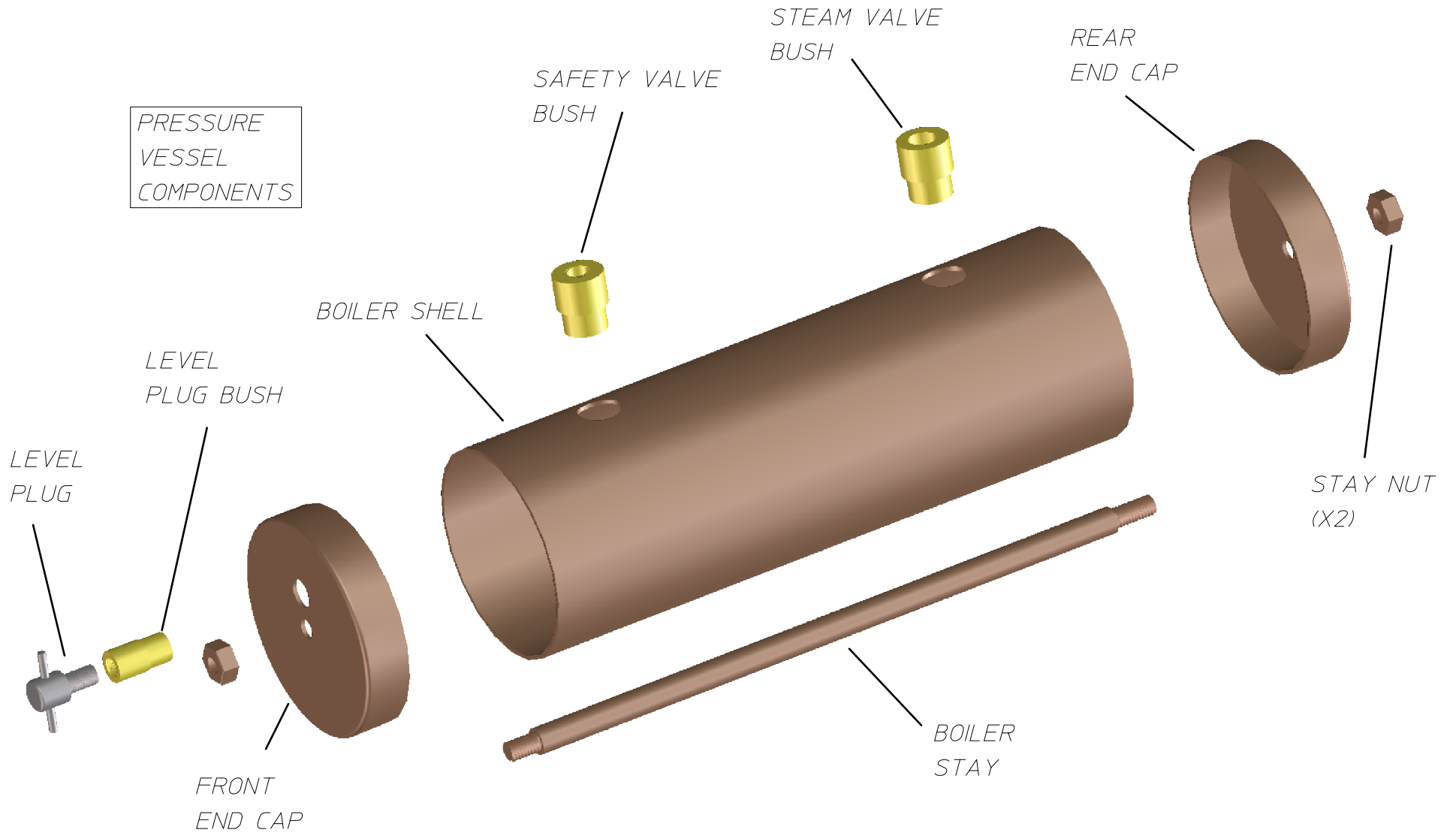


STEAM PLANT FOR MODEL BOAT
OR STATIONARY STEAM ENGINE

WORKING PRESSURE 30PSI
MAXIMUM PRESSURE 60PSI
FUEL : SOLID TABLET



PRESSURE
VESSEL
COMPONENTS



FIREBOX
COMPONENTS

SIDE
PANELS
(X2)

HEAT
SHEILD

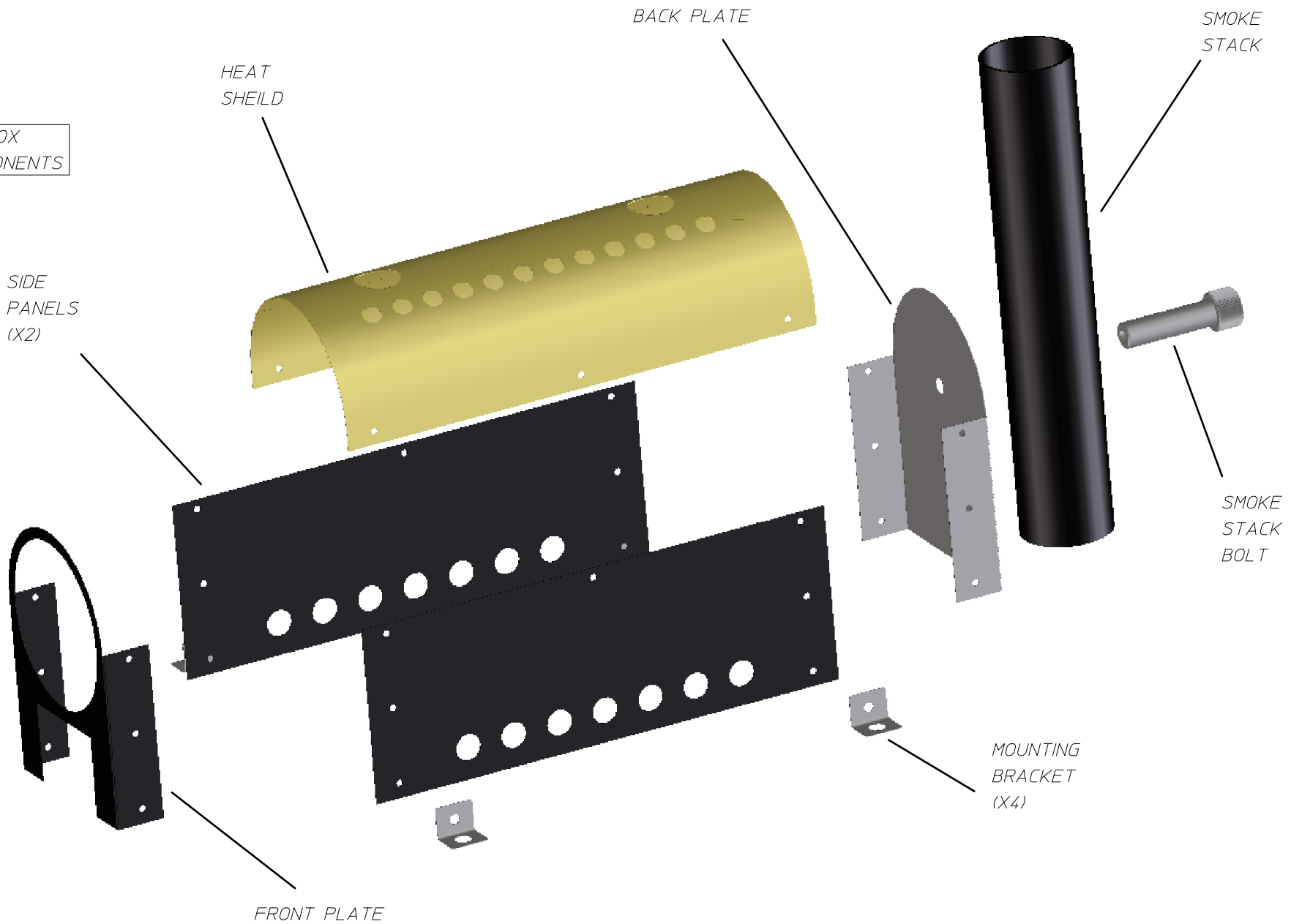
BACK PLATE

SMOKE
STACK

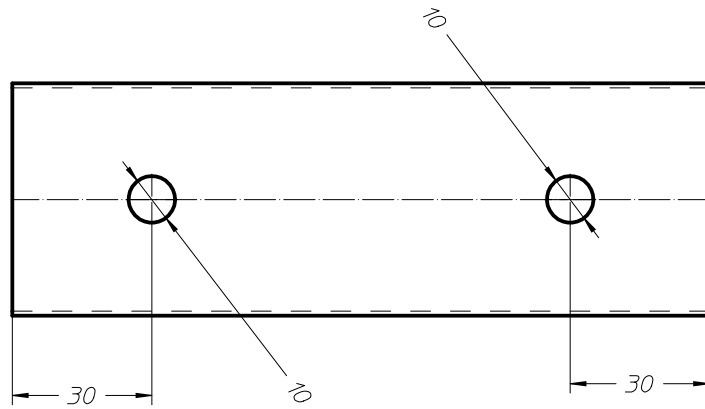
SMOKE
STACK
BOLT

MOUNTING
BRACKET
(X4)

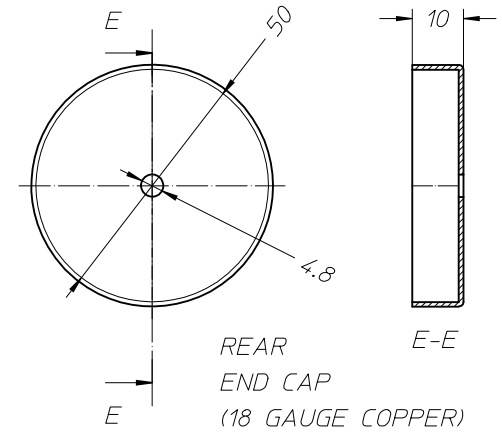
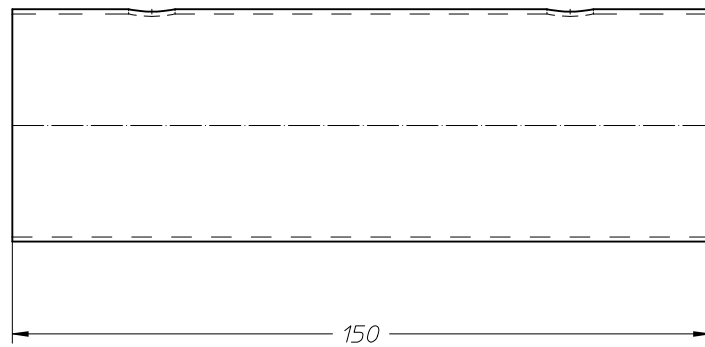
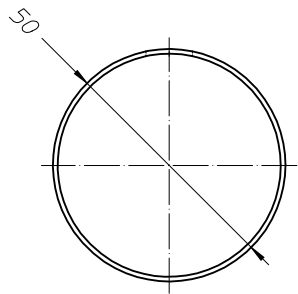
FRONT PLATE



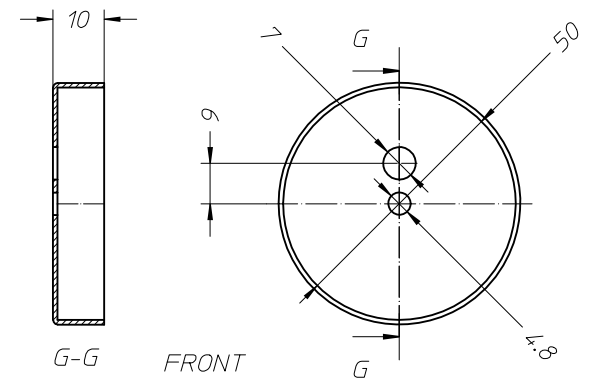
**BOILER SHELL
COMPONENTS**



*BOILER SHELL
(18 GAUGE COPPER TUBE)*

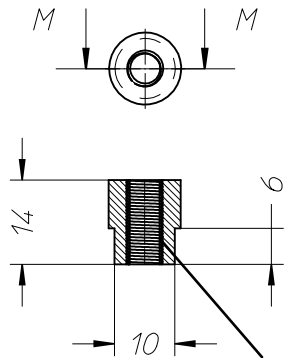


*REAR
END CAP
(18 GAUGE COPPER)*



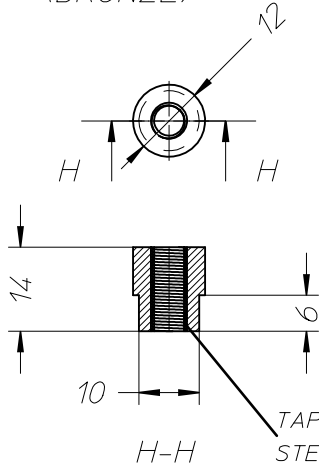
*FRONT
END CAP
(18 GAUGE COPPER)*

SAFETY VALVE BUSH
(BRONZE)



M-M
TAPPED TO SUIT
SAFETY VALVE
3/16 x 32TPI OR
(1/4 x 26TPI MAMOD)

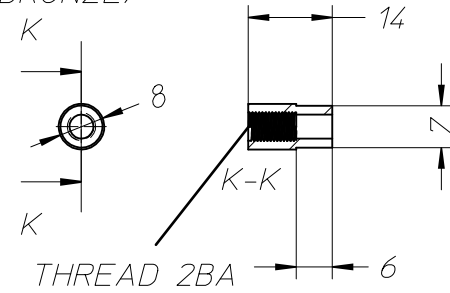
STEAM VALVE BUSH
(BRONZE)



H-H
TAPPED TO SUIT
STEAM VALVE

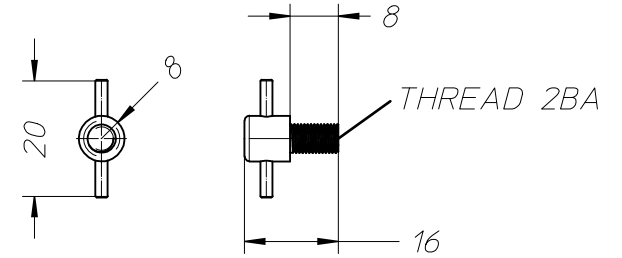
BOILER
SMALL PARTS

LEVEL PLUG BUSH
(BRONZE)



THREAD 2BA

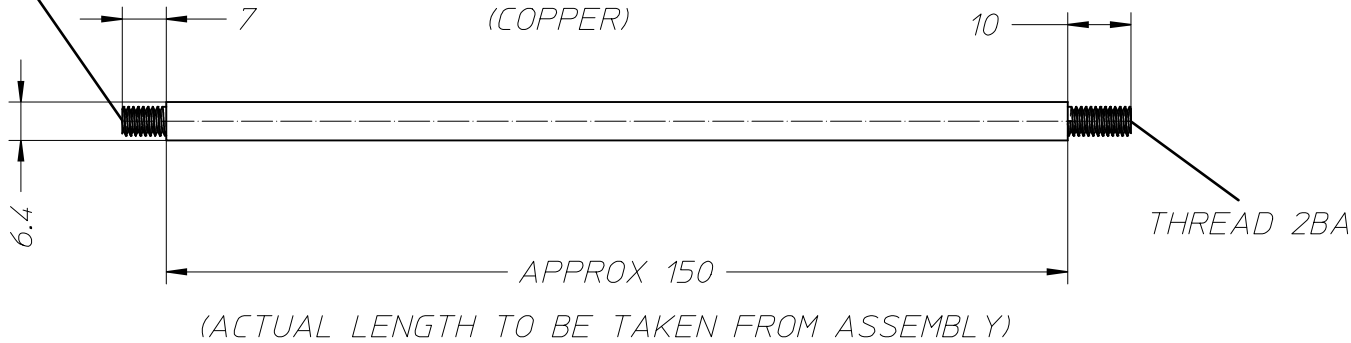
LEVEL PLUG
(S/STEEL)



THREAD 2BA

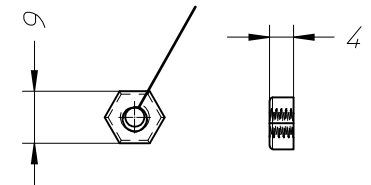
THREAD 2BA

BOILER STAY
(COPPER)

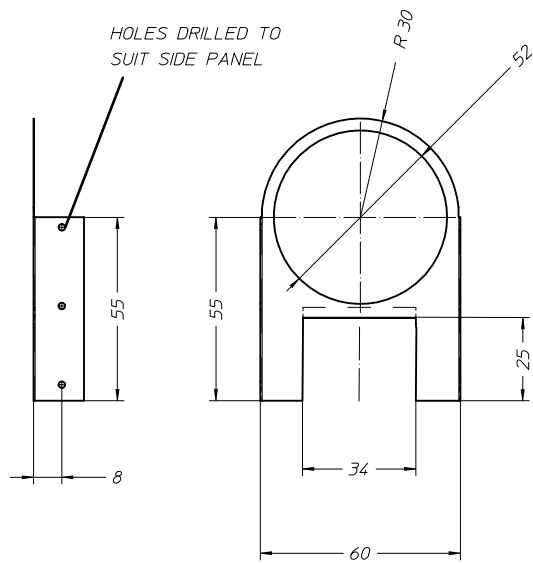
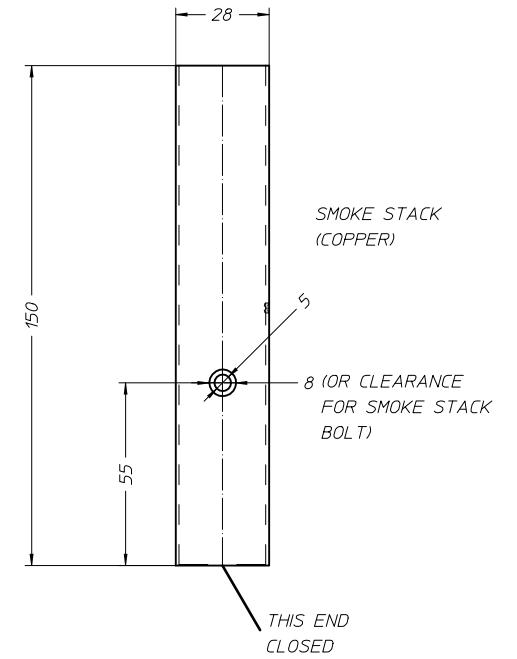
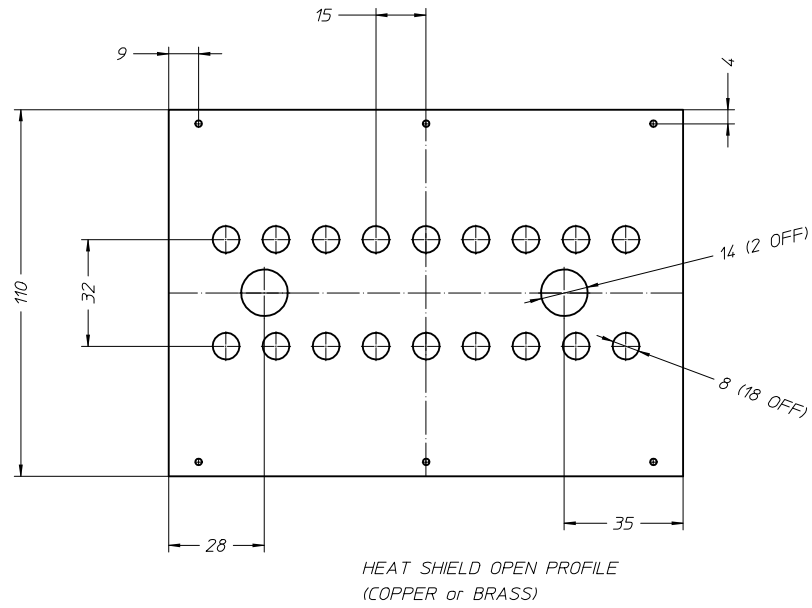
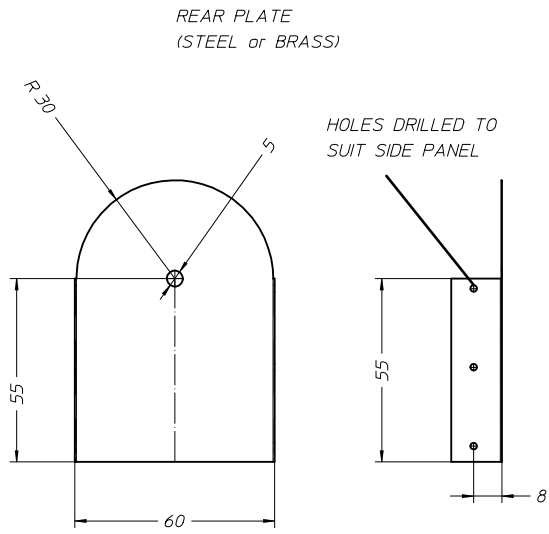


APPROX 150
(ACTUAL LENGTH TO BE TAKEN FROM ASSEMBLY)

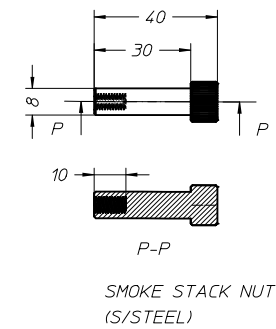
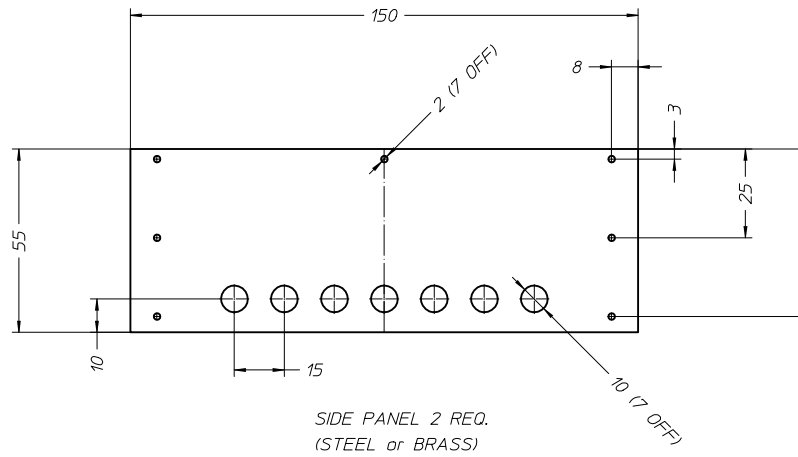
THREAD 2BA



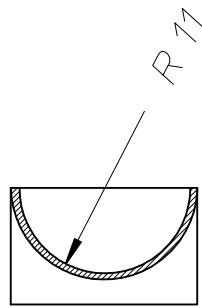
STAY NUT (2 OFF)
(COPPER OR BRONZE)



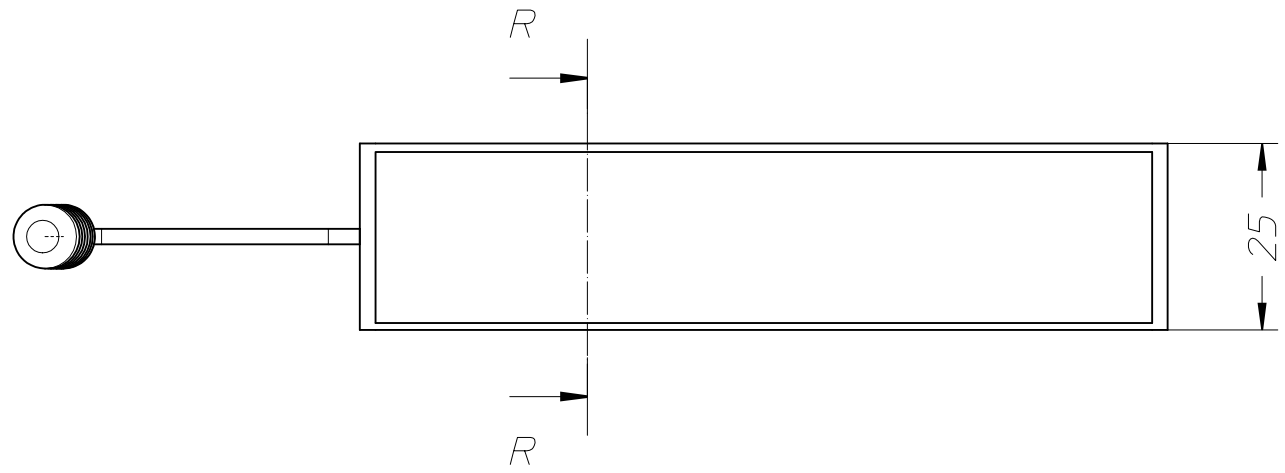
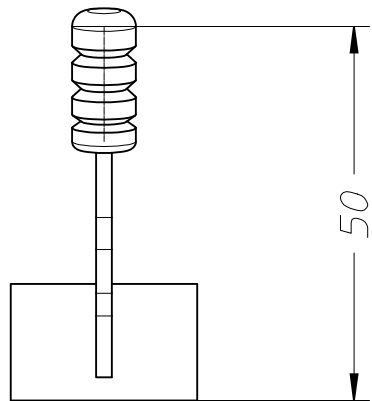
FRONT PLATE
(STEEL or BRASS)



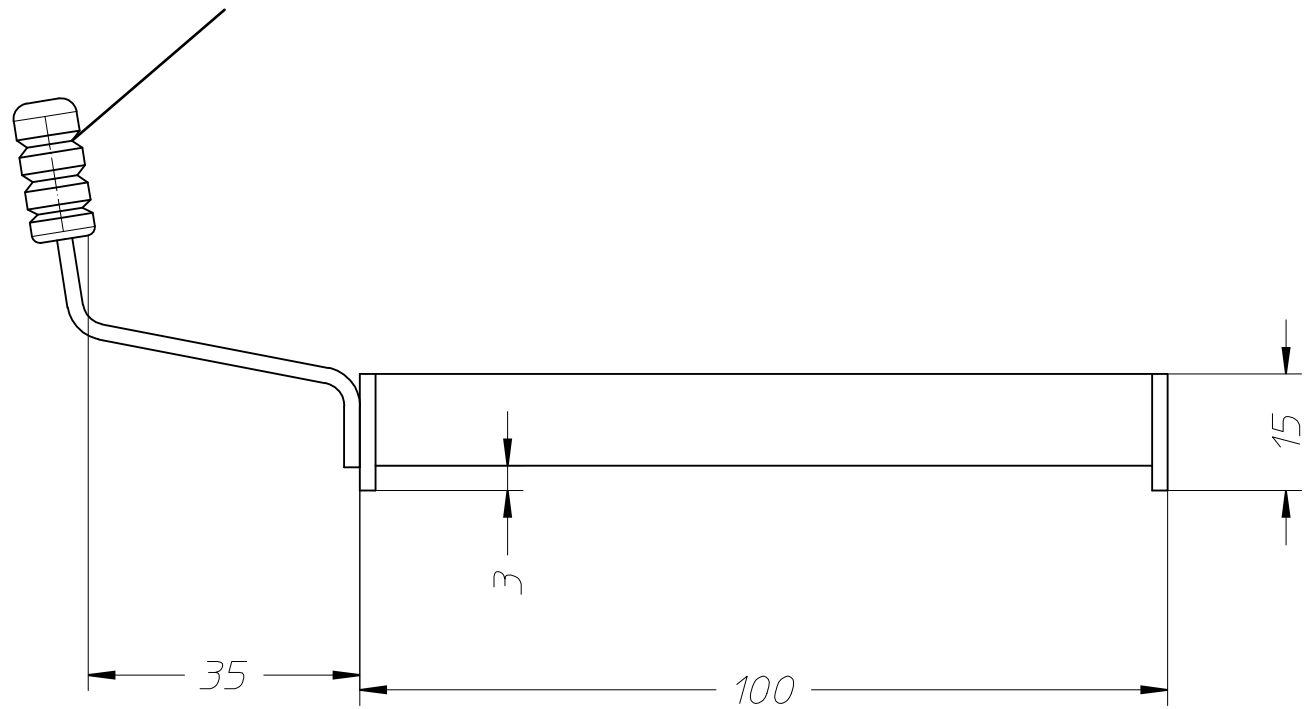
BURNER TRAY
(COPPER OR BRASS)

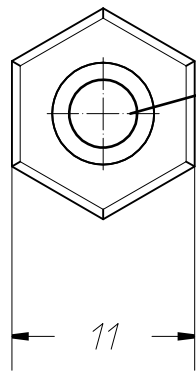


R-R



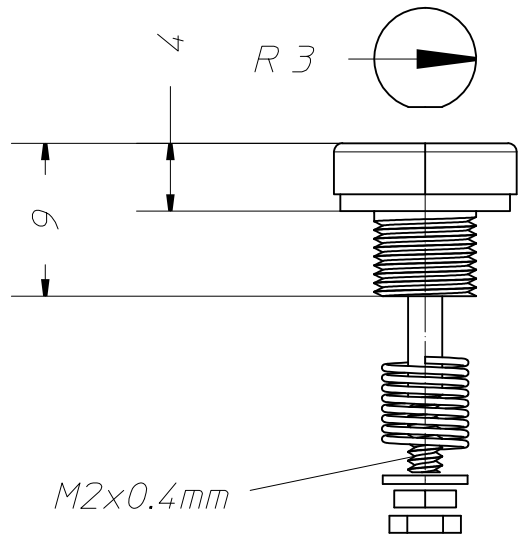
WOODEN HANDLE





C/SUNK
HOLE

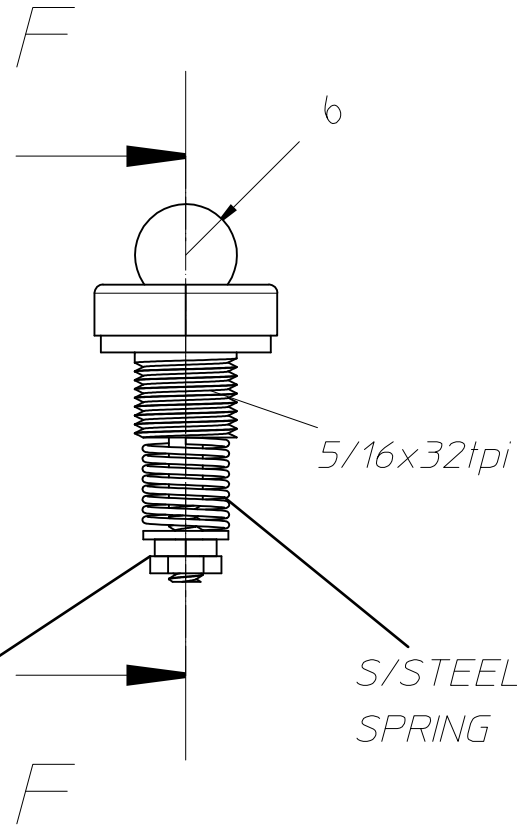
SAFETY VALVE
(BRASS OR BRONZE)



R3

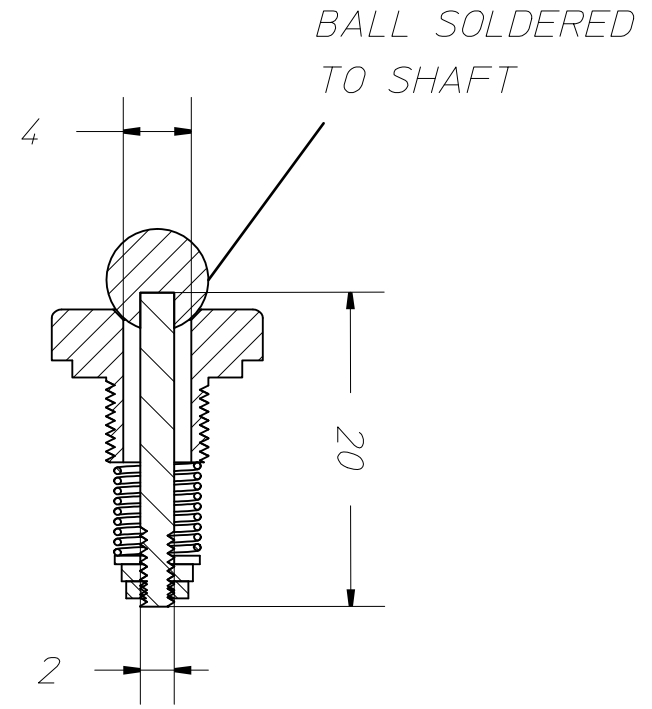
M2x0.4mm

M2 x 0.4
BRASS NUT
(2 OFF)



5/16x32tpi

S/STEEL
SPRING



BALL SOLDERED
TO SHAFT