

C
10.5"
267



Hannay Reels®
The reel leader.

Cable Reels

- | Rescue and HazMat Operations | Agriculture | Grounds Maintenance and MRO | Electric Tools |
- | Portable Lighting | Broadcast/Entertainment | Auxiliary Leads for Power Generation |
- | Hoist and Crane Operations | Static Grounding | Utility Grounding | Video Inspection |



**You Can't Buy
A Better Reel.**

Family owned and operated since 1933

CONTENTS

Hannay cable reels come in all sizes and capacities.

Reel Type	Page
Manual or Power Rewind Reels	
Series C – Storage Only	3
Series C1500 – Storage Only	4
Series C3200 – Storage Only	5
Series CR	6-7
Spring Rewind Reels	
Series NSCR700/SCR700	8-9
Model SCR10-17-19	10
Portable Reels	
Model LC16-10-11/Series CR	11
Model C16-10-11/C20-14-16 – Storage Only	12
Model AT1300/4300	13
Model C1150/ATC1250 – Storage Only	14
Custom Engineering	
Cable Reels and Spools	15
Grounding Reels	
Static Grounding Reels – Series GR/HGR	16-17
Utility Grounding Reels	18
Cable Reel Spec Worksheet	19



You Can't Buy A Better Reel.

No matter what your industry, you need cable reels that improve efficiency, productivity, and safety in your operation. We meet these stringent application, installation, and function requirements with the largest model offering and custom design reel options in the industry.

Every Hannay reel is handcrafted from the highest quality materials and designed exclusively for the industry it will be used in – never retrofitted to the job. That means you can trust our rugged, dependable reels to provide perfect fit and function for years to come.

Here's what makes Hannay Reels the #1 choice of OEMs:

- Multi-position roller assembly features dual arms to give maximum support from each side.
- Heavy 14-gauge disc has rolled edges that add rigidity and strength.
- One-piece hub assembly for superior strength.
- Externally mounted spring motor and ratchet pawl lock for the most serviceable reel available.
- Drums are 304-grade stainless steel for maximum corrosion resistance.
- 11-gauge steel modular frame bolts easily to standard footprint patterns.
- Sealed axle bearings provide superior wear and effortless operation.



Mounting Hole Sizes

N Series Reels	7/16" wide x 7/8" long slot running front to back
Pressed Frame Reels and Channel Framed Reels	7/16" wide x 7/8" long slot running left to right
Utility Grounding	7/16" round holes
Series 1500, Static Grounding	13/32" round holes

Series C

**To handle 3/4" through 1" O.D. cable.
For storage only. No live connections.**

- Heavy-duty reels.
- 4-1/2" x 9" (114 mm x 229 mm) opening in the drum.
- Many optional configurations available.
- Gear-driven crank rewind; or chain and sprocket drive powered by electric, compressed air or hydraulic motor.
- Auxiliary crank rewind is available on power reels.
- Crank rewind reels supplied with pinion brake.
- Power rewind standard with a comet brake.
- Consult factory for other brakes and locking devices.
- Rollers and roller mounting brackets are accessory items. Specify roller position.
- Divider discs available. Specify spacing.
- Drum diameters other than the standard are available.
Note: Larger drum diameter reduces reel capacity.



Standard configuration shown

PARTS DRAWING – ISO 71

Model Number <small>For power rewind see Note 5</small>	Cable Capacity of Reel feet m			Approx. Weight Crank Rewind lb. kg		Reel Dimensions*** in. mm								
	O.D. in. mm	3/4 19	1 25	NET	SHIP	A	B	D	E	F CRANK	F POWER	G	H	X
C20-19-21	250	150	66	101	17	11.5	20.5	18.75	20	24.5	21.5	12.12	9	16.75
	76	46	30	46	432	292	521	476	508	622	546	308	229	425
C26-19-21	350	200	78	113	23	17.5	20.5	18.75	26	30.5	21.5	12.12	15	16.75
	107	61	35	51	584	445	521	476	660	775	546	308	381	425
C20-23-24	–	250	73	108	17	11.5	20.5	22.75	20	24.5	23.5	12.12	9	16.75
	–	76	33	49	432	292	521	578	508	622	597	308	229	425
C28-23-24	–	475	89	124	25.5	20	20.5	22.75	28.5	33	23.5	12.12	17.5	16.75
	–	145	40	56	648	508	521	578	724	838	597	308	445	425
C20-25-26	–	325	86	121	17	11.5	25.5	24.75	20	24.5	27.88	15.5	9	21.75
	–	99	39	55	432	292	648	629	508	622	708	394	229	552
C24-25-26	–	450	94	129	21	15.5	25.5	24.75	24	28.5	27.88	15.5	13	21.75
	–	137	43	59	533	394	648	629	610	724	708	394	330	552
C18-30-31	–	375	90	125	15	9.5	25.5	28.75	18	22.5	29.88	15.5	7	21.75
	–	114	41	57	381	241	648	730	457	572	759	394	178	552

Notes:

1. Specifications subject to change.
2. Upon request, reels can be supplied with drum lengths other than shown and with disc sizes in other diameters.
3. Dimensions reflect pressed frames.
4. Weights shown in chart are for crank rewind models. ADD these amounts for power rewind models:

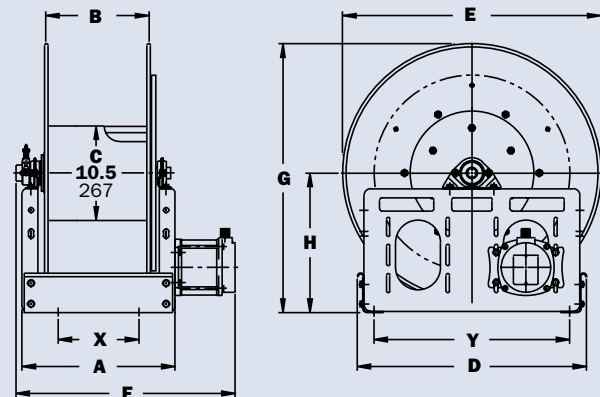
	Net lbs/kg	Ship lbs/kg
Electric	40/18.1	40/18.1
Hydraulic	20/9.1	20/9.1
Air	20/9.1	20/9.1

5. When ordering power rewind models, prefix model number with:

- A** = Air Rewind – Supplied with control valve and 18" air hose.
- EP** = Electric Rewind – (1/2 HP) 12v and 24v DC rewind reels are supplied with switch and solenoid; 115v AC rewind reels are not supplied with switch but can be ordered separately.
- HD** = Hydraulic Rewind – Not supplied with control valve.

6. Be sure to check dimensions and weights prior to ordering.

*** X, Y indicate mounting holes. See page 2.



Series C1500

• Cable • Hose • Rope • Wire

**To handle 1/4" through 1" O.D.
For storage only. No live connections.**

- Reels are designed for storage of long lengths of cable, hose, rope, wire or other materials.
- A 1-1/8" x 2-3/8" (28 mm x 60 mm) opening in the drum to initiate winding.
- Direct crank rewind, permanently attached. Removable crank option is available. Also available is a chain and sprocket rewind powered by electric, compressed air or hydraulic motor.
- Supplied with cam-lock brake on manual rewind models only.
- Optional divider discs can be placed at almost any point. Be sure to specify spacing of discs on your order.
- Rollers and roller mounting brackets are accessory items. Specify roller position.



Optional External Mounting Brackets

Part No. 9906.0027.
Add 2-1/2" to the X dimensions shown in the chart.



Standard configuration with optional slotted divider disc shown



Standard configuration with optional finish shown

PARTS DRAWING – ISO 218 (MANUAL); ISO 219 (POWER)

Model Number For power rewind see Note 5	Cable Capacity of Reel feet m					Approx. Weight Crank Rewind lb. kg see Note 4			Reel Dimensions*** in. mm						
	O.D. in. mm	1/4 6	1/2 13	3/4 19	1 25	NET	UPS/ FedEx SHIP Wt.	Freight SHIP Wt.	A	B	E CRANK	E POWER	F CRANK	F POWER	X
C1512-17-18	900	200	–	–	–	22	53*	57	9	4	16.5	19	16.25	14.5	7.5
	274	61	–	–	–	10	24	26	229	102	419	483	413	368	191
C1514-17-18	1300	300	150	75	23	65*	58	11	6	16.5	19	18.25	16.5	9.5	
	396	91	46	23	10	30	26	279	152	419	483	464	491	241	
C1516-17-18	–	400	–	–	24	68*	59	13	8	16.5	19	20.25	18.5	11.5	
	–	122	–	–	11	31	27	330	203	419	483	514	470	292	
C1520-17-18	–	650	300	150	25	80*	60	17	12	16.5	19	24.25	22.5	15.5	
	–	198	91	46	11	36	27	432	305	419	483	616	572	394	
C1526-17-18	–	900	450	225	27	98*	62	23	18	16.5	19	30.25	28.5	21.5	
	–	274	137	69	12	45	28	584	457	419	483	768	724	546	
C1530-17-18	–	1000	550	275	29	110*	64	27	22	16.5	19	34.25	32.5	25.5	
	–	305	168	84	13	50	29	686	559	419	483	870	826	648	

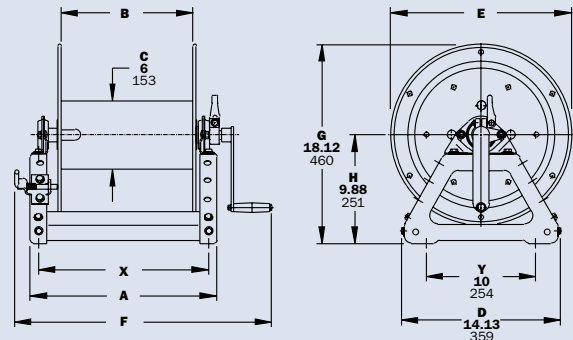
Notes:

- Specifications subject to change.
- Upon request, reels can be supplied with drum lengths other than shown and with disc sizes in other diameters.
- Dimensions reflect pressed frames.
- Weights shown in chart are for crank rewind models. ADD these amounts for power rewind models (does not apply to FedEx or UPS):

	Net lbs/kg	Ship lbs/kg
Electric	18/8.2	18/8.2
Hydraulic	15/6.8	15/6.8
Air	15/6.8	15/6.8

- When ordering power rewind models, prefix model number with:
 - A** = Air Rewind – Supplied with control valve and 18" air hose.
 - E** = Electric Rewind – 12v and 24v DC rewind reels are supplied with switch and solenoid; 115v AC rewind reels are not supplied with switch but can be ordered separately.
 - HD** = Hydraulic Rewind – Not supplied with control valve.

6. Be sure to check dimensions and weights prior to ordering.
*Dimensional weight applies when shipped as a parcel package (via FedEx or UPS Ground).
*** X, Y indicate mounting holes. See page 2.



Crank rewind shown

Series C3200

• Cable • Hose • Rope • Wire

**To handle 1/2" through 1" O.D.
For storage only. No live connections.**

- A 4-1/2" x 9" (114mm x 229mm) opening in the drum to initiate winding.
- Designed for storage of long lengths of cable, hose, rope, wire or other materials.
- Choose disc rewind or removable direct crank rewind.
- Supplied with spring actuated pin lock.
- Optional divider discs can be placed at almost any point. Be sure to specify spacing of discs on your order.
- Rollers and roller mounting brackets are accessory items. Specify roller position.
- For power rewind, see Series C on page 3.



Standard configuration with crank handle shown



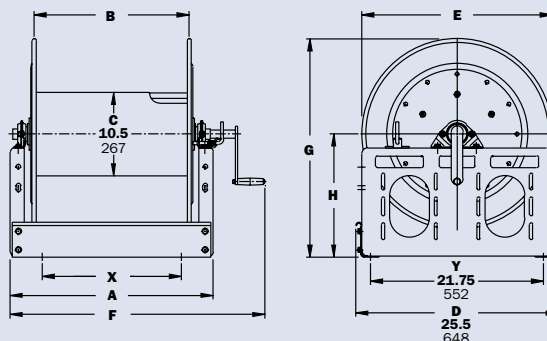
Optional Aluminum Hand Cart
4300-AL mounting available.

PARTS DRAWING – ISO 117

Model Number	Cable Capacity of Reel feet m				Approx. Weight Crank Rewind lb. kg		Reel Dimensions*** in. mm					
	O.D. in. mm	1/2 13	3/4 19	1 25	NET	SHIP	A	B	E CRANK	F CRANK	G	H
C3216-25-26	-	350	150	81	123	13	7.5	24.75	20.75	27.88	15.5	7.75
	-	107	46	37	56	330	191	629	527	708	394	197
C3218-25-26	1000	450	200	85	127	15	9.5	24.75	22.75	27.88	15.5	7
	305	137	61	39	58	381	241	629	578	708	394	178
C3222-25-26	-	700	300	93	135	19	13.5	24.75	26.75	27.88	15.5	11
	-	213	91	42	61	483	343	629	679	708	394	279
C3228-25-26	-	1000	500	109	151	25.5	20	24.75	33.25	27.88	15.5	17.5
	-	305	152	49	68	648	508	629	845	708	394	445
C3230-25-26	-	-	500	113	155	27.5	22	24.75	35.25	27.88	15.5	19.5
	-	-	152	51	70	699	559	629	895	708	394	495
C3234-25-26	-	1300	650	122	164	31.5	26	24.75	39.25	27.88	15.5	23.5
	-	396	198	55	74	800	660	629	997	708	394	597

Notes:

1. Specifications subject to change.
 2. Upon request, reels can be supplied with drum lengths other than shown and with disc sizes in other diameters.
 3. Dimensions reflect pressed frames.
 4. Requires 3-1/2" clearance to remove crank handle.
 5. Subtract 5" from "F" dimension for disc rewind.
 6. **Be sure to check dimensions and weights prior to ordering.**
- *** X, Y indicate mounting holes. See page 2.



Series CR

• CR1600 • ECR1600 • CR6600 • ECR6600

To handle live electric cable.

- 3-conductor, 45-amp, 600-volt collector assembly with #8 gauge wiring.
- Double brushes per circuit. Brushes are copper graphite, copper alloy rings.
- Additional conductors or higher amperage (up to 100 amps) are available at extra cost, must be specified. (300 amps possible with custom design.)
- Silver collector assemblies are available.
- Rollers and roller mounting brackets are accessory items. Specify roller position.

Series CR1600

- Removable direct crank rewind.
- Adjustable cam-lock drag brake.

Series ECR1600*

- Optional strap brake is available.
- Some roller options may prohibit the use of our molded chain guard.

Series CR6600

- Gear-driven crank rewind.

Series ECR6600

- Chain and sprocket drive powered by electric, compressed air or hydraulic motor.
- Auxiliary rewind and pinion brake standard.
- Consult factory for other brakes.
- Optional chain guards are available upon request.



Series CR1600 (Manual Rewind)
Standard configuration shown



Series ECR1600 (Power Rewind)
Standard configuration shown



Optional External Mounting Brackets

Part No. 9906.0025.
Available for CR1600 and ECR1600 models.



Series ECR6600 (Power Rewind)
Optional left top configuration shown

* For CR reels with minimized height or depth requirements, refer to our Rescue Reels catalog H-0503-R.



ELFCR1600 shown
Choose an ELFCR model when height of reel must be minimized



ESFCR1600 shown
Choose an ESFCR model when depth of reel must be minimized

Series CR

• CR1600 • ECR1600 • CR6600 • ECR6600

PARTS DRAWING – SERIES CR1600 – ISO 76; SERIES CR6600 – ISO 45

Model Number For power rewind see Note 5	Cable Capacity of Reel feet m					Approx. Weight Crank Rewind lb. kg		Reel Dimensions*** in. mm											
	Ga./No. of Conductors							NET	SHIP	A	B	C	D	E	F	F	G	H	X
	O.D. in. mm	.60 15	.69 18	.75 19	.67 17	.75 19	CRANK			POWER	CRANK	POWER							
CR1614-17-18	175	100	-	100	100	30	68*	11	6	6	14.13	16.5	19	22.5	17.5	18.12	9.88	9.5	10
	53	30	-	30	30	14	31	279	152	152	359	419	483	571	445	460	251	241	254
CR1616-17-18	200	150	-	150	150	32	68*	13	8	6	14.13	16.5	19	24.5	19.5	18.12	9.88	11.5	10
	61	46	-	46	46	15	31	330	203	152	359	419	483	622	495	460	251	292	254
CR1618-17-18	275	200	-	200	200	33	80*	15	10	6	14.13	16.5	19	26.5	21.5	18.12	9.88	13.5	10
	84	61	-	61	61	15	36	381	254	152	359	419	483	673	546	460	251	343	254
CR1620-17-18	350	250	-	250	225	34	80*	17	12	6	14.13	16.5	19	28.5	23.5	18.12	9.88	15.5	10
	107	76	-	76	69	15	36	432	305	152	359	419	483	724	597	460	251	394	254
CR6614-19-20	150	100	-	125	100	113	148	11	5.5	10.5	20.5	22	22	16	16	21.5	12.12	5.75	16.75
	46	30	-	38	30	51	67	279	140	267	521	559	559	406	406	546	308	146	425
CR6614-23-24	300	225	175	250	200	120	155	11	5.5	10.5	20.5	23	23	16	16	23.5	12.12	5.75	16.75
	91	69	53	76	61	54	70	279	140	267	521	584	584	406	406	597	308	146	425
CR6614-25-26	350	250	200	300	225	133	168	11	5.5	10.5	25.5	24.75	24.75	16	16	27.88	15.5	5.75	21.75
	107	76	61	91	69	60	76	279	140	267	648	629	629	406	406	708	394	146	552

Notes:

- Specifications subject to change.
- Upon request, reels can be supplied with drum lengths other than shown and with disc sizes in other diameters.
- Dimensions reflect pressed frames.
- Weights shown in chart are for crank rewind models. Add these amounts for power rewind models:

Series CR1600	Net lbs/kg	Ship lbs/kg
Electric	18/8.2	18/8.2
Hydraulic	15/6.8	15/6.8
Air	15/6.8	15/6.8

Series CR6600	Net lbs/kg	Ship lbs/kg
Electric (1/3 HP)	18/8.2	18/8.2
Hydraulic	20/9.1	20/9.1
Air	20/9.1	20/9.1

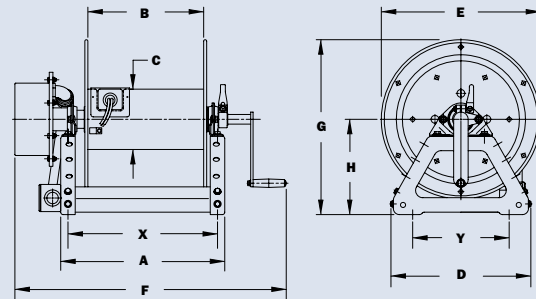
- When ordering power rewind models, prefix model number with:
 - A** = Air Rewind – Supplied with control valve and 18" air hose.
 - E** = Electric Rewind – (1/3 HP) (Series CR1600 & CR6600)
 - EP** = Electric Rewind – (1/2 HP) (Series CR6600)
 12v and 24v DC rewind reels are supplied with switch and solenoid; 115v AC rewind reels are not supplied with switch but can be ordered separately.

HD = Hydraulic Rewind – Not supplied with control valve.

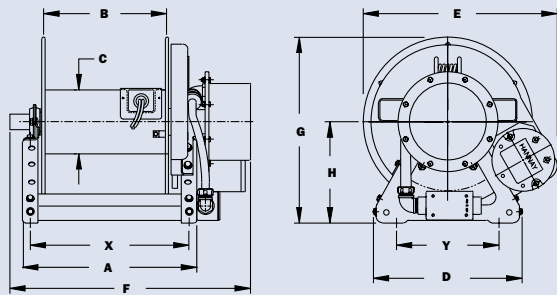
- Add 2-1/8" to "A" dimension when using external mounting brackets on CR1600, ECR1600 Series reels.
- When ordering reels with a 4-conductor, add 2" to "F" dimensions.
- Be sure to check dimensions and weights prior to ordering.**

* Dimensional weight applies when shipped as a parcel package (via FedEx or UPS Ground).

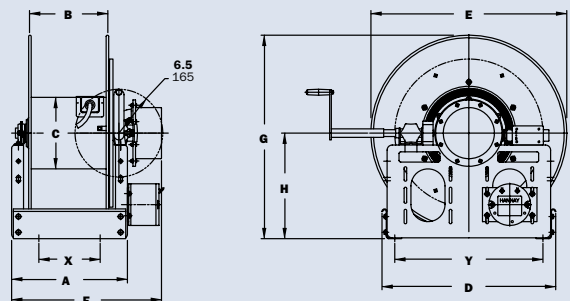
***X, Y indicate mounting holes. See page 2.



Series CR1600 (Manual Rewind)



Series ECR1600 (Power Rewind)



Series ECR6600 (Power Rewind)

Series **NSCR700/SCR700**

To handle live electric cable.

- Heavy-duty spring motor.
- Non-sparking ratchet.
- Declutching arbor.
- Consult factory for constant tension applications.
- 3-conductor, 45-amp, 600-volt collector assembly with #8 gauge wiring.
- Double brushes per circuit. Brushes are copper graphite with copper alloy rings.
- Additional conductors or higher amperage (up to 300-amps) available; consult factory.
- Silver collector available.
- Supplied with a 4-way roller assembly. Roller position must be specified.
- A cable stop should be used.
- For vertical lift, stretch, and/or crane installation, consult factory for proper spring specifications.



Series NSCR700
Standard configuration shown



Optional Swivel Mounting Bracket

Part No. 9908.9990.
For **N-Series** spring retractable reels, available as a kit. Conditions apply, consult factory.



Series SCR700
Standard configuration shown

Series NSCR700/SCR700

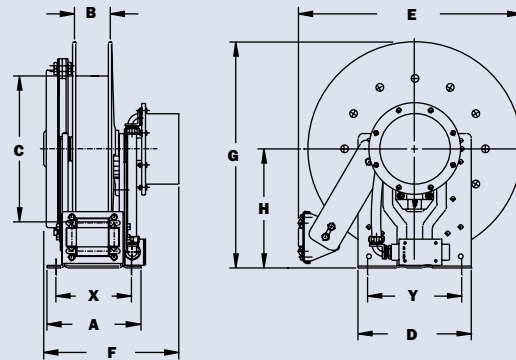
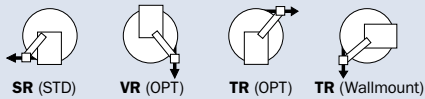
PARTS DRAWING – SERIES NSCR700 – ISO 164; SERIES SCR700 – ISO 49

Model Number	Cable Capacity of Reel feet m					Approx. Weight lb. kg		Roller Assy.	Reel Dimensions*** in. mm									
	Ga./No. of Conductors					NET	SHIP		A	B	C	D	E	F	G	H	X	Y
	O.D.in. mm	.53 14	.60 15	.69 18	.75 19													
NSCR715-14-16-8C	35	25	-	-	59	74	N203	9	3	8	12	17.62	13.75	16.12	9.12	7	10	
	11	8	-	-	27	34		229	76	203	305	448	349	409	232	178	254	
NSCR715-16-17C	40	35	-	-	62	77	N203	9	3	10.5	12	18.5	13.75	17	9.12	7	10	
	12	11	-	-	28	35		229	76	267	305	470	349	432	232	178	254	
NSCR715-19-20J	50	50	50	50	74	109	N204	9	3	10.5	12	20.75	13.75	20	10.62	7	10	
	15	15	15	15	34	49		229	76	267	305	527	349	508	270	178	254	
NSCR716-23-24B	75	75	75	75	99	134	N204	10	4	15.5	12	23.75	14.75	24	12.62	8	10	
	23	23	23	23	45	61		254	102	394	305	603	375	610	321	203	254	
NSCR716-23-24G	100	100	-	-	105	140	N204	10	4	15.5	12	23.75	14.75	24	12.62	8	10	
	30	30	-	-	48	64		254	102	394	305	603	375	610	321	203	254	
SCR715-19-20J	50	50	50	50	74	109	R204	8.25	3	10.5	18	19.5	15.25	19.75	10.38	3.5	15	
	15	15	15	15	34	49		210	76	267	457	495	387	502	264	89	381	
SCR716-23-24B	75	75	75	75	99	134	R204	9.25	4	15.5	23.25	24.38	16.25	23.88	12.5	4.5	20.25	
	23	23	23	23	45	61		235	102	394	591	619	413	607	318	114	514	
SCR716-23-24G	100	100	-	-	105	140	R204	9.25	4	15.5	23.25	24.38	16.25	23.88	12.5	4.5	20.25	
	30	30	-	-	48	64		235	102	394	591	619	413	607	318	114	514	
SCR716-30-31-20A	120	120	120	120	127	162	R204	9.25	4	20	28.5	29.62	17	31.38	17	4.5	25.25	
	37	37	37	37	58	73		235	102	508	724	752	432	797	432	114	641	

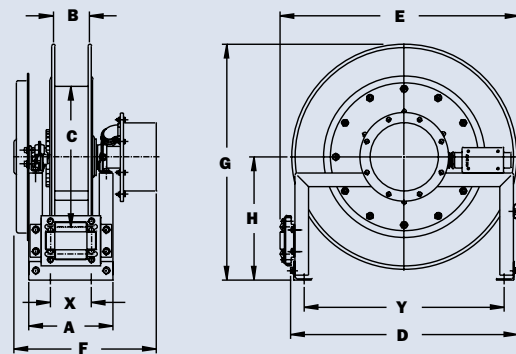
Notes:

1. Specifications subject to change.
 2. For reels with 4-conductor, 45-amp collector assemblies, add 2" to "F" dimension.
 3. Reel models and capacities shown are for standard drag applications; for vertical lift applications, consult factory.
 4. Other sizes from standard components available upon request.
 5. **Be sure to check dimensions and weights prior to ordering.**
 6. Roller assembly is supplied on standard models.
- ***X, Y indicate mounting holes. See page 2.

Available Roller Positions



Series NSCR700



Series SCR700

Model **SCR10-17-19**

To handle live electric cable.

- Heavy-duty spring motor.
- Non-sparking ratchet assembly.
- Declutching arbor.
- 3-conductor, 30-amp collector ring.
- 6 foot power source lead with 15-amp, 3-prong straight blade plug (optional twist lock is available).
- Cable stop should be used.



Standard configuration shown



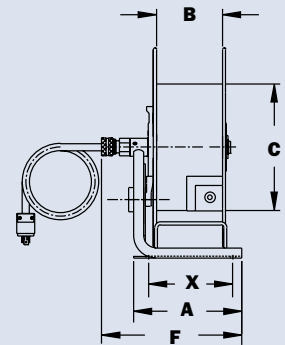
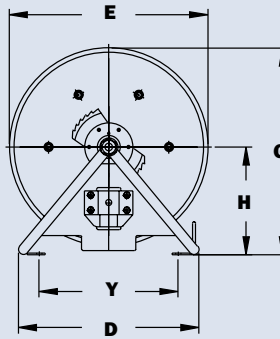
Optional Roller Mounting Bracket
Part No. 9939.0004

PARTS DRAWING – ISO 46

Model Number	Cable Capacity of Reel feet m				Approx. Weight lb. kg		Reel Dimensions*** in. mm									
	O.D. in. mm	Ga./No. of Conductors					NET	SHIP	A	B	C	D	E	F	G	H
		16/3	14/3	12/3												
SCR10-17-19	70	70	75	42	52*	9.25	6.5	10.5	15	16.5	11.75	17.12	8.94	7	11.25	
	21	21	23	19	24	235	165	267	381	419	298	435	227	178	286	

Notes:

1. Specifications subject to change.
2. **Be sure to check dimensions and weights prior to ordering.**
*When shipped as a parcel package (via FedEx or UPS Ground).
***X, Y indicate mounting holes. See page 2.



Model **LC16-10-11** Series **CR**

Model LC16-10-11 (Storage)

- Waterproof duplex receptacle for 3-pronged plug.
- Twist lock duplex is available.
- Adjustable cam-lock drag brake.
- Equipped with one durable rubber twist tie for cable ends.

Series CR (Live)

- Compact, lightweight, rugged construction.
- 3-conductor, 30-amp collector ring.
- 6 foot power source lead with 15-amp, 3-prong straight blade plug (optional twist lock is available).
- Adjustable cam-lock drag brake.

Rewind:

- Crank rewind permanent.



LC16-10-11

- For:
- Extension Cord
 - Broadcast Cable



Series CR

- For:
- Industrial
 - Broadcast
 - Agricultural
 - Fire and Rescue

PARTS DRAWING – MODEL LC16-10-11 – ISO 120; SERIES CR – ISO 156

Model Number	Cable Capacity of Reel			Approx. Weight		Reel Dimensions							
	feet m					lb. kg	in. mm						
	O.D. in. mm	Ga./No. of Conductors		NET	SHIP		A	B	C	D	E	F	G
LC16-10-11		.53	.60	14	17*	11.75	7.5	4	11.88	10.75	12.25	15	6.88
	125	100	14/3										
CR16-14-16		.53	.60	24	58*	9.25	7.5	6	15.5	14	14.5	18.5	8.88
	200	150	14/3										
CR16-17-18		.53	.60	28	58*	9.25	7.5	6	15.5	16.5	14.5	18.5	8.88
	300	250	14/3										

Notes:

1. Specifications subject to change.
 2. **Be sure to check dimensions and weights prior to ordering.**
- *Dimensional weight applies when shipped as a parcel package (via FedEx or UPS Ground).



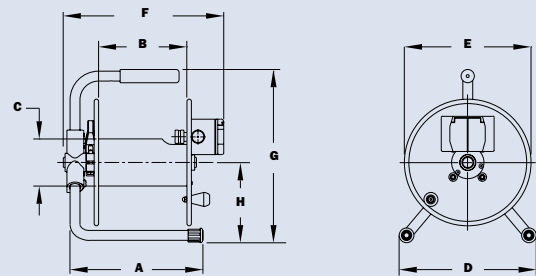
LC16-10-11 includes one durable rubber twist tie for cable ends.

Part No. 9949.0082

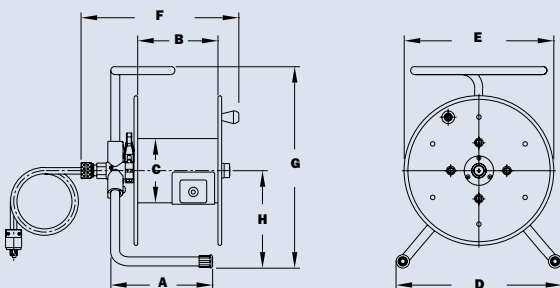


Series CR

Optional 15-amp, 3-prong straight blade receptacle recessed in drum.
Part No. 9955.0090.



Model LC16-10-11



Series CR

Model **C16-10-11/C20-14-16**

No live connections.

Model C16-10-11

- Small, lightweight, durable.
- Adjustable cam-lock drag brake.
- Optional storage drum extension.
- Equipped with one durable rubber twist tie for cable ends. "DE" models equipped with two ties.

Model C20-14-16

- Strong, portable.
- Adjustable cam-lock drag brake.
- Permanent crank rewind.
- Optional pin lock available.
- Optional storage drum extension.
- Equipped with one durable rubber twist tie for cable ends. "DE" models equipped with two ties.



C16-10-11

- For:
- Broadcast Cable
 - Extension Cord
 - Rope



C20-14-16

- For:
- Broadcast Cable
 - Extension Cord
 - Forestry Fire Hose
 - Rope

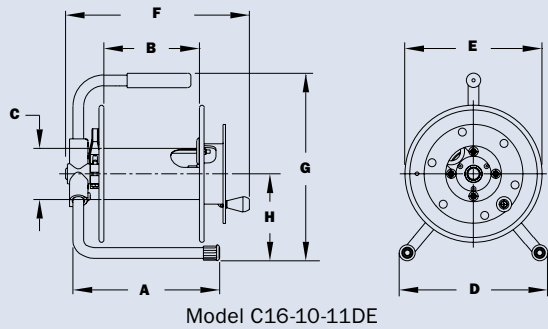
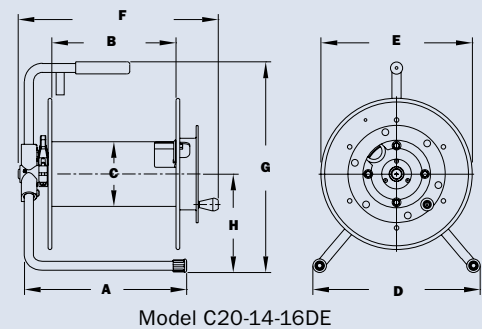
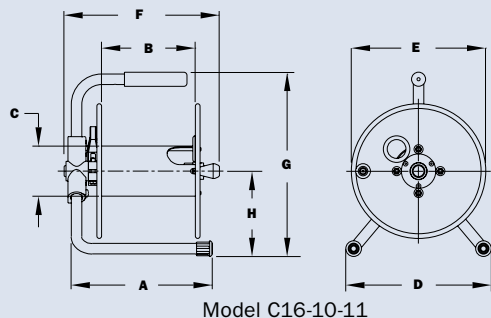


C16-10-11-DE

(DE = Drum Extension)

PARTS DRAWING – MODEL C16-10-11 – ISO 88; MODEL C20-14-16 – ISO 121

Model Number	Cable Capacity of Reel feet m			Approx. Weight lb. kg		Reel Dimensions in. mm							
	O.D. in. mm	Ga./No. of Conductors				NET	SHIP	A	B	C	D	E	F
		.53 14	14/3 15	12/3 15									
C16-10-11	125	100	10	20*	11.5	7.5	4	11.88	10.75	12.25	14.75	6.88	
	38	30	5	8	292	191	102	302	273	311	375	175	
C20-14-16	350	250	18	58*	15	12	6	15.5	14	16.75	19	8.62	
	107	76	8	26	381	305	152	394	356	425	483	219	
C16-10-11-DE	130	105	10	20*	11.5	7.5	4	11.88	10.75	14.25	14.75	6.88	
	40	32	5	8	292	191	102	302	273	362	375	175	
C20-14-16-DE	355	255	18	58*	15	12	6	15.5	14	18.75	19	8.62	
	108	78	8	26	381	305	152	394	356	476	483	219	



Notes:

1. Specifications subject to change.
 2. These storage reels have no live connections.
 3. **Be sure to check dimensions and weights prior to ordering.**
- *Dimensional weight applies when shipped as a parcel package (via FedEx or UPS Ground).



LC16-10-11 includes one durable rubber twist tie for cable ends.
Part No. 9949.0082

Model AT1300/4300

Model AT1300

- Removable direct crank rewind reel.
- Adjustable cam-lock drag brake.
- 3-conductor, 45-amp collector ring is standard.
- 6 foot power source lead of 10/3 cable.
- 15-amp, 3-prong straight blade (optional twist lock is available).
- Additional conductors available; consult factory.
- Direct offset rewind crank.

Model AT1300

- For:
- Industrial Maintenance
 - Construction
 - Agriculture
 - Broadcast
 - Grounds Maintenance



Aluminum Hand Truck

Model 4300-AL

Part No. 9906.0795

For portability of hose and cable reels.

- Large pneumatic tires.
- Reel permanently attached.
- Overall dimensions will vary according to the reel model used.
- Hand truck, axle, and wheels shipped separately for customer installation. Specify if reel axis is perpendicular or parallel to truck axle.



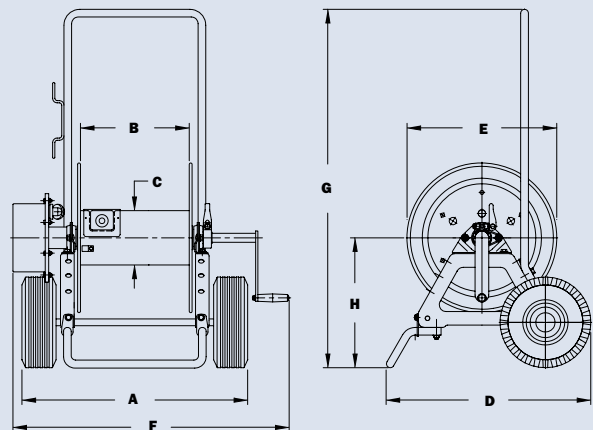
Assembled 4300-AL truck with reel attached

PARTS DRAWING – ISO 189

Model Number	Cable Capacity of Reel feet m				Approx. Weight lb. kg		Reel Dimensions in. mm														
	Ga./No. of Conductors						NET	SHIP	A	B	C	D	E	F	G	H					
	O.D. in. mm	14/3 .53 14	12/3 .60 15	10/3 .69 18																	
AT1300	500	400	300	70	102	24.75	12	6	23.31	16.5	32.5	42.5	14.31	629	305	152	592	419	825	1080	363

Notes:

1. Specifications subject to change.
2. Hand truck is also sold separately.
Maximum reel size dimensions when installed on hand truck:
A=32" (812.8 mm), B=27" (685.8 mm), E=32" (812.8 mm).
3. Be sure to check dimensions and weights prior to ordering.



Model AT1300

Model **C1150/ATC1250**

No live connections.

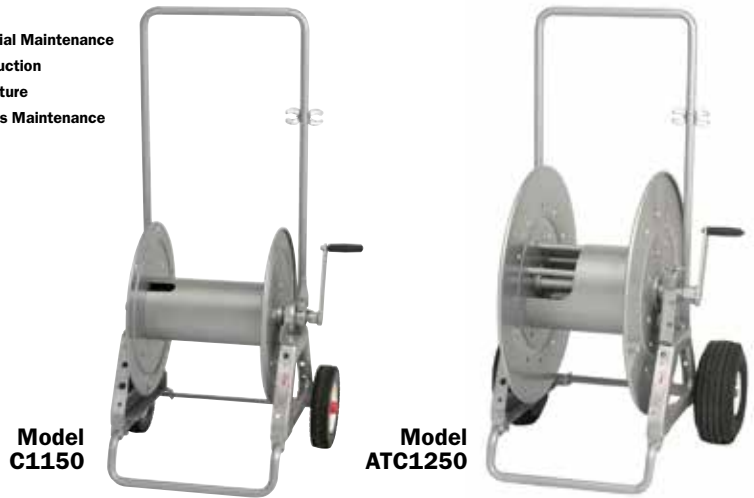
Model C1150

- 7/8" x 1-3/4" (22 mm x 44 mm) opening.
- Adjustable cam-lock drag brake.

Model ATC1250

- Pneumatic tires.
- 4" x 5-1/2" (102 mm x 140 mm) opening.
- Adjustable cam-lock drag brake.

- For:
- Industrial Maintenance
 - Construction
 - Agriculture
 - Grounds Maintenance



PARTS DRAWING – MODEL C1150 – ISO 48; MODEL ATC1250 – ISO 87

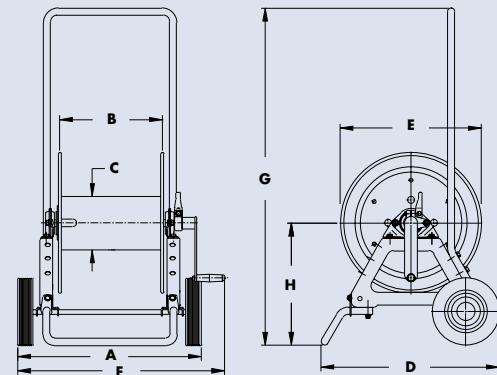
Model Number	Cable Capacity of Reel feet m				Approx. Weight lb. kg		Reel Dimensions in. mm													
	O.D. in. mm	Ga./No. of Conductors					NET	SHIP	A	B	C	D	E	F	G	H				
		14/3	12/3	10/3																
C1150	.53	.60	.69			21.5	12	6	21	16.5	25	39	13.81							
	14	15	18	500	400	300	44	100*	152	122	91	20	45	546	305	152	533	419	635	991
ATC1250	.53	.60	.69			24.88	11.5	8	23.31	22.75	27.25	40	17.25							
	14	15	18	950	750	550	84	147*	290	229	168	38	67	632	292	203	592	578	692	1016

Notes:

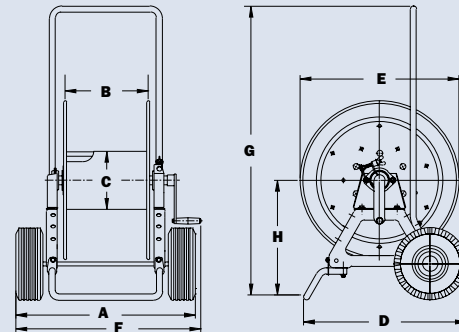
- Specifications subject to change.
1. When ordering C1150 and ATC1250, specify model number, O.D., length and weight of cable, hose, etc.
 2. These storage reels have no live connections.
 3. **Be sure to check dimensions and weights prior to ordering.**
- *Dimensional weight applies when shipped as a parcel package (via FedEx or UPS Ground) – some assembly required.



Optional Folding Handle
For compact storage



Model C1150



Model ATC1250

Custom **Engineering**

Custom spools and reels for cable handling and storage can be built in an almost limitless range of sizes and with a wide variety of special features, such as divider discs, slotted discs, casters, etc. All rewind mechanisms described in this catalog can be specified for custom-built reels. To meet special requirements, motors used to power chain and sprocket rewind mechanisms can be mounted off the reel or within the reel frame.

Spools include the discs, tie-rods and spacers, and the drum. Since discs are inventoried in a range of standard diameters, and drum lengths can be adjusted, spools can be supplied to accommodate a wide range of cable sizes and lengths.

Orders and quotations:

See Cable Reel Spec Worksheet on page 19 to supply proper information for orders or quotations.

Requests for quotations for custom reels and spools should include:

- Complete specifications on cable size, length, and weight.
- O.D. and bending radius of cable.
- Number of conductors, voltage, and amperage.
- Type of rewind mechanism, including available power for electric, hydraulic or air rewind motors.
- Complete description of how reel is to be installed and used.
- Specification of any accessories.



Cable Conversions

Power/Control Cable

Wire Size (AWG)/ Conductors	Area (Per Conductor)	
	Circular Mils	Square mm
16/3	2,600	1.3
14/3	4,100	2.1
12/3	6,500	3.3
10/3	10,500	5.3
8/3	16,800	8.5

Cable Chart

Type S00W – 600 Volt						
Number of Conductors	AWG Size	Nominal O.D.		Current AMPS	Weight	
		in.	mm		lbs	kg
2	18	0.345	8.74	10	75	34.0
3	18	0.365	9.27	10	87	39.5
4	18	0.390	9.91	7	102	46.2
2	16	0.370	9.40	13	78	35.4
3	16	0.390	9.91	13	105	47.6
4	16	0.415	10.54	10	120	54.4
2	14	0.500	12.70	18	151	68.5
3	14	0.530	13.46	18	176	79.8
4	14	0.570	14.48	15	210	95.2
2	12	0.575	14.61	25	201	91.2
3	12	0.600	15.24	25	235	106.6
4	12	0.650	16.51	20	291	132.0
2	10	0.625	15.88	30	245	111.1
3	10	0.660	16.76	30	307	139.2
4	10	0.710	18.03	25	360	163.3
2	8	0.675	17.15	40	300	136.0
3	8	0.725	18.42	40	383	173.7
4	8	0.780	19.81	35	511	231.8
5	8	0.875	22.23	28	633	287.1

Static **Grounding Reels**

- Aircraft Refueling • Chemical Plants • Grain Elevators
- Rescue and HazMat Operations

WARNING

These reels are for static grounding ONLY.
NOT intended for lightning protection!

For refueling or hazardous areas.

- These reels bond and/or ground aircraft, fuel trucks, and other equipment.
- Provide smooth operation and require minimum cable pull.
- Declutching arbor and adjustable guide arm with cable guide.
- Optional stainless steel construction of spool, frame, and ratchet system available on HGR Series.
- Standard finish is oven-cured enamel.
- Also available, manual rewind version.



Model HGR50
(Shown with optional "Y" branch)



Model SSHGR50
(Optional unpolished stainless steel HGR50)



Model MHGR50



Model HGR100



Model MHGR100



Model GR75



Model MGR75

All reels shown with optional PCC cable and clamp.

Series GR/HGR

- Aircraft Refueling • Chemical Plants
- Grain Elevators • Rescue and HazMat Operations

- Available with 1/8", 7 x 19 galvanized carbon steel cable.
- 100-amp Alligator clamp.
- Stainless steel or plastic-covered cable and "Y" branches are available at an additional charge.
- Cable guide arm of cast aluminum and ZA-12 aluminum zinc alloy.

Series GR75

- Sealed spring is a good economical choice that's compact and lightweight.

Series HGR

- A non-sparking ratchet assembly.
- Reels are repairable and parts are readily available.
- Supplied with 18" long grounding strap with eyelet connectors on both ends.

Parts Drawings: HGR Series – ISO 10 and MHGR Series – ISO 234

Model Number	Cable Capacity of Reel feet m	Approx. Weight lb. kg		Reel Dimensions*** in. mm									
		Without Cable	With Cable	A	B	C	D	E	F	G	H	X	Y
GR75	75	11	14*	2	2	7	9	9.25	3.5	9.88	5.06	1	7.88
	23	5	6	51	51	178	229	235	89	251	129	25	200
† MGR75	75†	11	13*	2	2	7	9	9.25	5.25	9.88	5.06	1	7.88
	23†	5	6	51	51	178	229	235	133	251	129	25	200
HGR50	75	28	30*	4	1.25	10.75	11.5	14.25	5.5	16.75	8.88	2.38	7.5
	23	13	14	102	32	273	292	362	159	425	226	60	191
† MHGR50	125†	19	23*	4	1.25	10.75	11.5	14.25	6.25	16.75	8.88	2.38	7.5
	38†	9	10	102	32	273	292	362	159	425	226	60	191
HGR100	100	37	41*	4	1.25	13.25	11.5	16.75	5.5	17.75	8.88	2.38	7.5
	30	17	19	102	32	337	292	425	140	451	226	60	191
† MHGR100	175†	25	31*	4	1.25	13.25	11.5	16.75	6.25	17.75	8.88	2.38	7.5
	53†	11	14	102	32	337	292	425	159	451	226	60	191

Optional GTP Gator® Clamp

(GTP-9654)
Part No. 9951.0032



Optional Browne Clamp

(ALS-10)
Part No. 9951.0031



Optional Grounding Jack

per MIL-C-8341D/4
Part No. 9951.0033



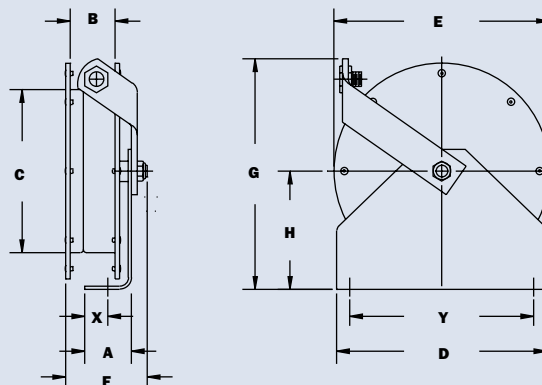
Notes:

1. Specifications subject to change.
2. When ordering, specify model number, gauge, O.D., length, and coating if required.
3. Specify "Y" branch if required.
4. **Finish:** Refer to page 2.

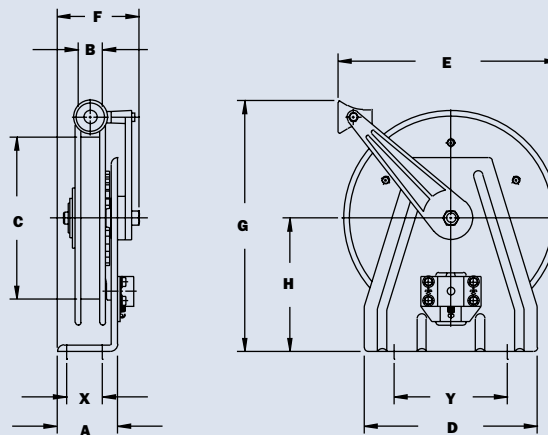
*Reels can be shipped as a parcel package (via FedEx or UPS Ground).

*** X, Y indicate mounting holes. See page 2.

† Capacities shown are for PCC (plastic coated cable). Capacities may be higher for uncoated cable; consult factory.



Model GR75/MGR75 – GR75 shown



Model HGR50/HGR100/MHGR50 – HGR shown

Utility Grounding Reels

- Construction Vehicles • Utility Vehicles
- Maintenance Vehicles • Rescue and HazMat Operations

Truck grounding reels.

- Easy cable pay-out.
- Quick and convenient rewind gets you back in service fast.
- Heavy-duty steel construction stands up to demanding field use.
- Direct access to lube rotary ground device.
- Serviceable pawl and pin assembly.
- Easily greaseable Zerk fitting.
- Independently tested to 43 kA for 30 cycles.¹
- Bolt-down design.
- Manual or automatic spring rewind available.
- Helps meet OSHA requirements for vehicle grounding.²
- Supplied with or without optional cable and clamp.

¹ Although Hannay SGCR and GCR Series grounding reels are rated to 43 kA for 30 cycles (the maximum fault current rating for 4/0 cable), the size and spring pull force of the reel effectively limits use of these reels to 2/0 cable and smaller. 2/0 cable has a maximum fault current rating of 27 kA. Please refer to ASTM 855-90 (Standard Specification for Temporary Grounding Systems) for more information.

² OSHA Subpart V, Section 1926.952, requires grounding of vehicles working near energized lines or equipment. Hannay grounding reels help meet this requirement and encourage crew compliance by providing a simple, efficient method of handling heavy grounding cable.

Model SGCR 10-17-19

Spring Rewind Grounding Reel

- Fast, convenient automatic spring rewind.
- A ratchet mechanism locks the reel.
- Built-in cable hoop.
- Internal rotary device.



Model SGCR 10-17-19

Spring rewind
Standard configuration shown

Model GCR 10-17-19

Manual Rewind Grounding Reel

- Offers manual rewind with a hand crank permanently attached to the disc.
- Internal rotary device.



Model GCR 10-17-19

Manual rewind
Standard configuration shown

Model GC 10-17-19

Manual Storage Reel (Not Shown)

- Storage only.
- Manual rewind with a hand crank permanently attached to the disc.

PARTS DRAWING – MODEL SGCR 10-17-19 – ISO 95

Model Number	Cable Capacity of Reel feet m				Approx. Weight lb. kg	
	Ga./No. of Conductors					
	O.D. in. mm	#2 .50 13	1/0 .63 16	2/0 .66 17	NET (less cable)	SHIP (less cable)
SGCR 10-17-19	75	75	65	43	52	
	23	23	20	20	24	
GCR 10-17-19	150	90	90	30	36	
	46	27	27	14	16	
GC 10-17-19	150	90	90	28	34	
	46	27	27	13	15	

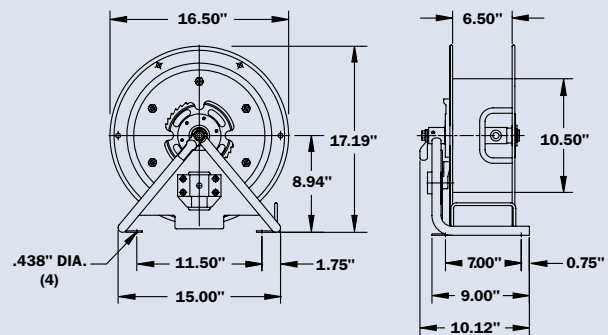
Notes:

1. Specifications subject to change.
2. When ordering, specify model number, cable gauge, O.D., length, and coating if required.
3. Specify finish if other than standard.
Reels can be shipped as a parcel package (via FedEx or UPS Ground).

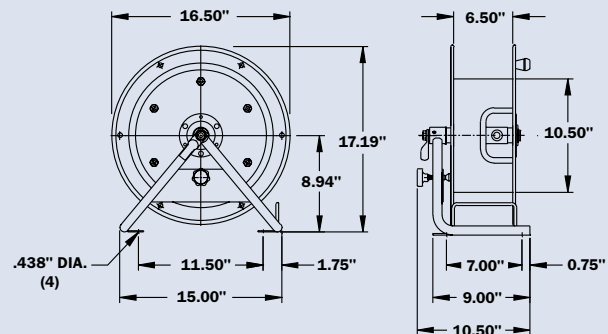
Note: If shipping reel with cable, add 16 lbs. for packaging, plus weight of cable.

Cable Weights:

- #2 gauge = .28 lb/ft
- 1/0 gauge = .43 lb/ft
- 2/0 gauge = .52 lb/ft



Model SGCR 10-17-19



Model GCR 10-17-19

Cable Reel **Spec Worksheet**

To specify Hannay reels, fill out this simple form and mail, fax or email it to your dealer.
Photocopy this page or download and print from hannay.com

1. Who is the reel for?

Contact		Date / /	
Company		Position	
Street Address			
City	State	Zip	Country
Phone ()	Fax ()	Email	

2. What is the reel for?

CABLE (check one): Live* Storage only

*Number of conductors, or wire gauge, required:

*Number of connectors: Cable weight: Cable length:

*Voltage: Outside diameter:

*Amperage (live application only): Bend radius:

Indicate your custom specifications

3. What features does the reel need? Check type of rewind:

MANUAL REWIND

Disc rewind (hand over hand) Gear-driven crank Direct crank (permanent or removable) Chain-driven crank

POWER REWIND

Spring Air Electric (voltage): Hydraulic

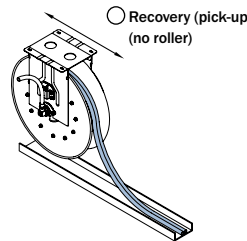
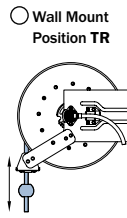
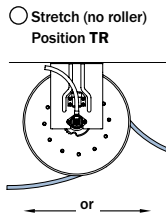
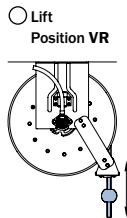
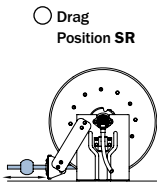
Type of installation (check one): Floor Wall Overhead Vehicle

Accessories (if any): Environment:

Roller Assemblies: Cable Stop: Yes No

Finish: Painted steel (standard) Aluminum Polished Unpolished Stainless steel Polished Unpolished

Check type of installation and roller position for spring reels:



Constant tension available on all roller positions

4. Specifying Location of Components

Optional Location of Components:

Location of the inlet, outlet riser, and rewind mechanism can be varied to meet your requirements and must be specified on your order. Unless otherwise specified, most reels will be shipped as **Right Top Rewind** with the inlet, outlet riser, and rewind mechanism on the operator's right.



RT - Right Top Rewind
Standard - Always look at your reel from this position to determine right hand or left hand.



RB - Right Bottom Rewind



LT - Left Top Rewind



LB - Left Bottom Rewind

Note: Use component location initials as suffix after model number (ie: ECR1618-17-18 RT)

5. Please note size and/or weight limitations for your installation

SPECIFICATIONS

Depth: _____

Height: _____

Width: _____

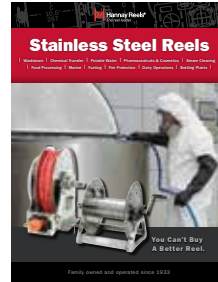
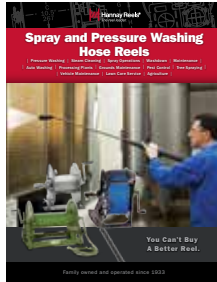
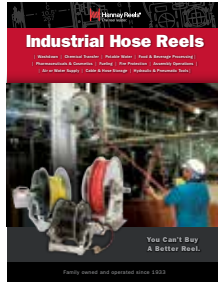
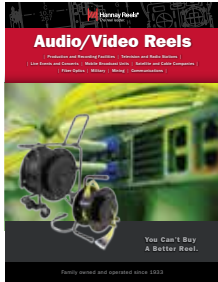
Weight: _____

For custom applications not found in our catalogs, call the Inside Sales Group at 518-797-3791.

You Can't Buy A Better Reel.

Find reels for every need.

Learn more about all of our reels, including specs, drawings, and even how to select the right reels and accessories for your industry.



Audio/Video Reels

Details and specs for:

- Portable cable storage reels
- Portable storage reels on wheels
- Removable spool portable cable reels

Industrial Hose Reels

Includes specs and information on:

- High pressure spring rewind reels
- Compact manual rewind reels
- Power rewind reels
- Portable storage reels
- Hose assemblies

Rescue Reels

Find out more about:

- Utility or breathing air hose reels
- ELF reels
- Live electric cable reels
- Power rescue tool reels
- Portable electric cable reels

Spray and Pressure Washing Hose Reels

Details and specs for:

- Pressure wash reels
- Manual, spring, and remote controlled power rewind reels
- Portable hose reels
- Small frame model reels

Stainless Steel Reels

Comprehensive information on:

- Spring rewind reels
- Manual rewind reels
- Compact manual rewind reels
- Fuel reels

Welding Reels

Includes specs and information on:

- Mobile and fixed installations
- Arc welding
- Gas welding
- Cutting operations

View all our reel catalogs online at hannay.com



Family owned and operated since 1933, Hannay Reels is the world leader in both OEM and aftermarket applications. Hannay offers thousands of standard hose reel and cable reel models, as well as unmatched custom capabilities. We can easily and affordably customize a reel to meet your exact specifications – built to last, delivered fast. Additional catalogs are available through your local Hannay Reels dealer or online at hannay.com.



553 State Route 143 | Westerlo, New York 12193
 Email: reels@hannay.com | hannay.com



All Hannay reels are constructed of quality heavy gauge steel (optional aluminum or stainless steel also available on most models).

Phone: **518-797-3791**
 Toll Free: **1-877-467-3357**

Domestic FAX: **1-800-733-5464**
 International FAX: **518-797-3259**

Form H-0507-C REV 3 WEB 3-20

