

U22 Jet Turbine Engine



NEW

THE DYNAMIC U-22 TURBO-JET

MODEL
AIRCRAFT ENGINE

NOW AVAILABLE AT LAST!
A TRUE SPACE-AGE GAS TURBINE ENGINE IN MINIATURE!

THE U-22 HAS REAR COMPRESSOR AND POWER TURBINE STAGES, 5 SURVEILLOR COMBUSTION CHAMBERS, AND AN AFTER BURNER THAT GETS IN WITH A BANG! (UNUS 48,300 RPM!)

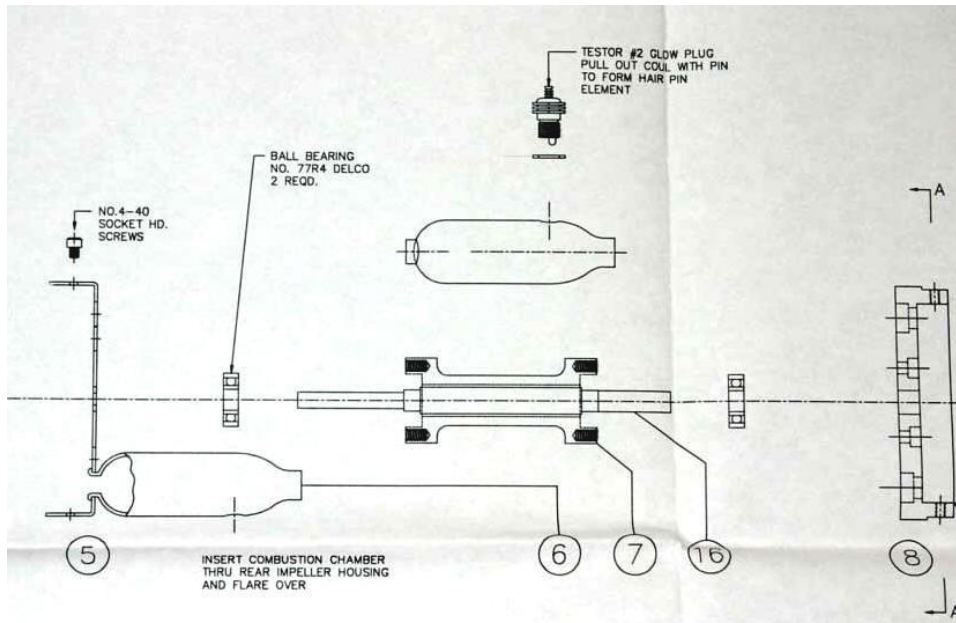
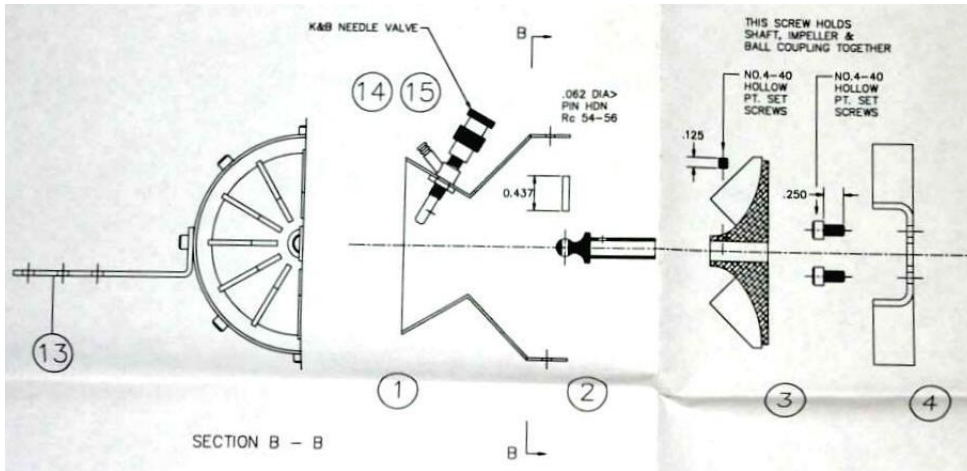
PRECISION ENGINEERING AND CONSTRUCTION OF THE TINIEST HIGH-TEMPERATURE ALLOY METALS. THE U-22 OFFERS THE UTILITY TO IMPROVE YOUR FLYING FUN. THE DYNAMIC PERFORMANCE AND SMOOTH POWER IS UNPARALLELED!

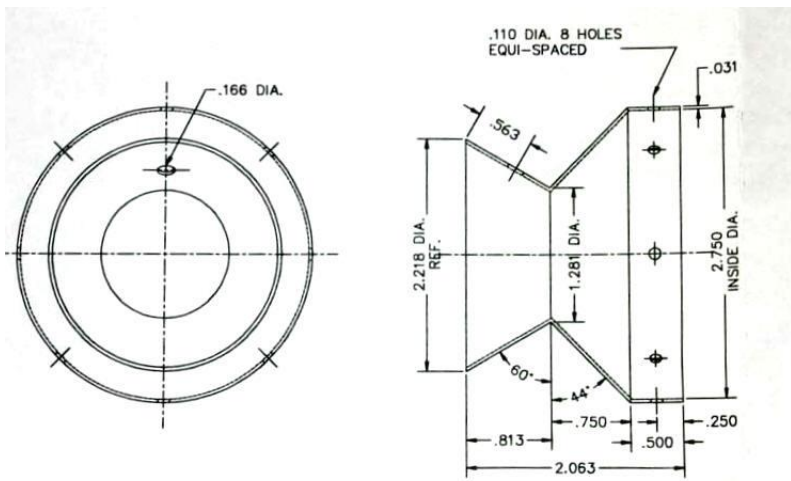
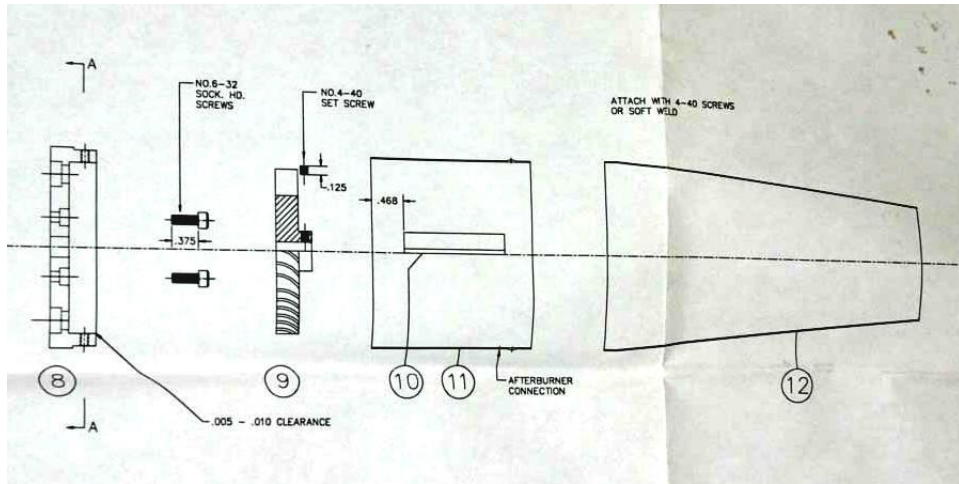
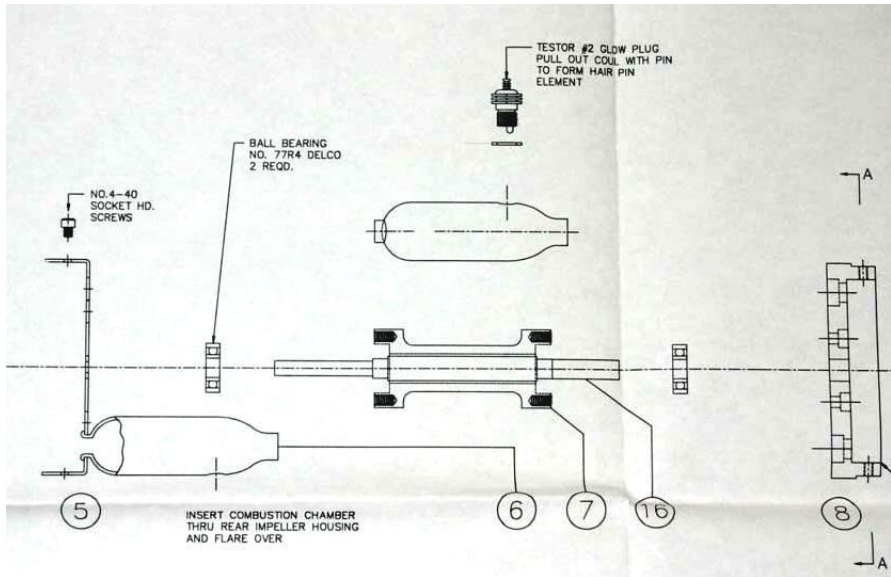
A BALL BEARING SHOWN. THE U-22 MEASURES 2 1/2" x 1 1/2" x 1 1/2"

COMPLETE U-22 ENGINE PRICED TO YOU: \$139.50

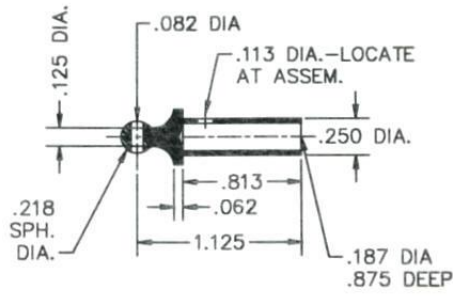
SEND MAIL... COMPLETE SET OF FULL-SIZE DRAWINGS INCLUDING MECHANICAL & DIMENSIONAL SPECIFICATIONS, TEST DATA, MATERIAL SPECIFICATIONS, PARTS LIST AND PRINT READY TO BUILD IF YOU BELIEVE!

85-06 PATENTED



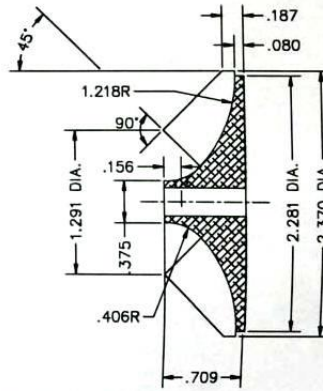
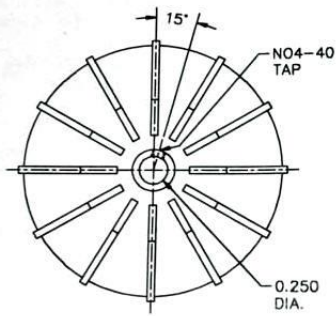


1 COMPRESSOR HOUSING
ALUMINUM SPINNING



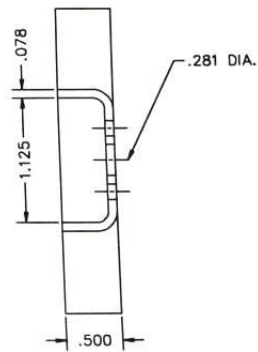
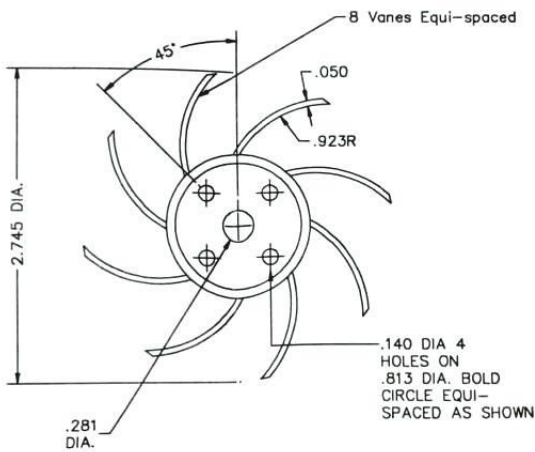
2

UNIVERSAL BALL COUPLER
STEEL



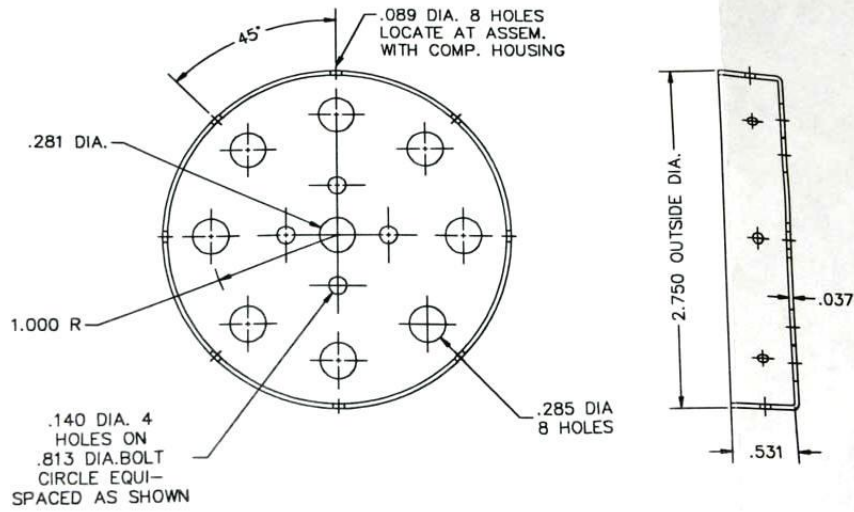
3

COMPRESSOR IMPELLER
ALUMINUM CASTING

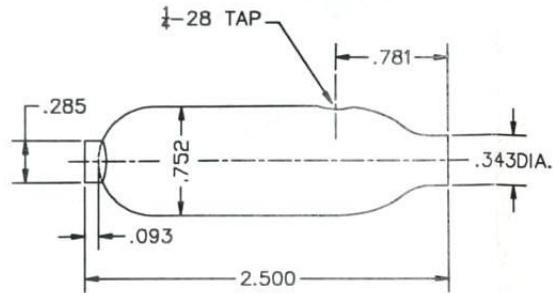


4

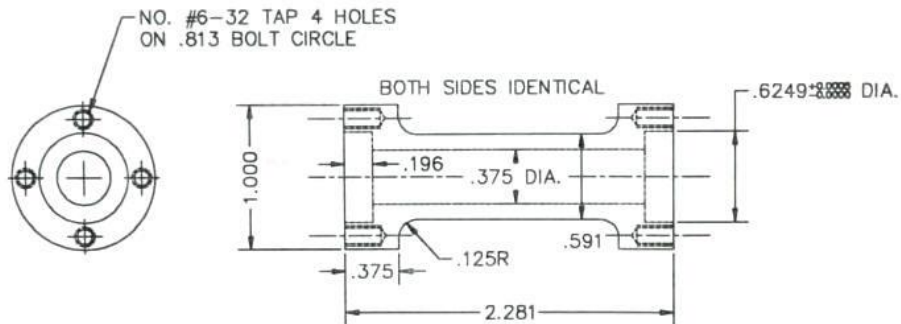
DIFFUSER
EPOXY & ALUMINA POWDER



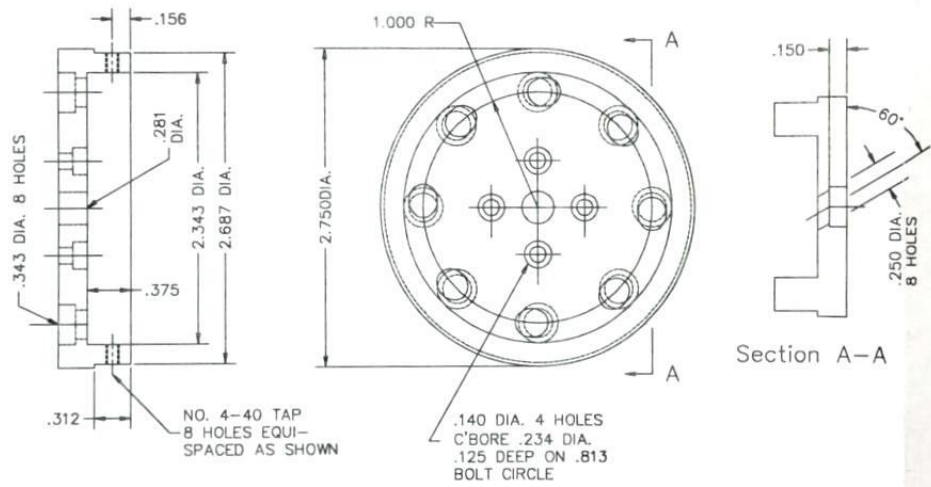
⑤ REAR IMPELLER HOUSING
STEEL



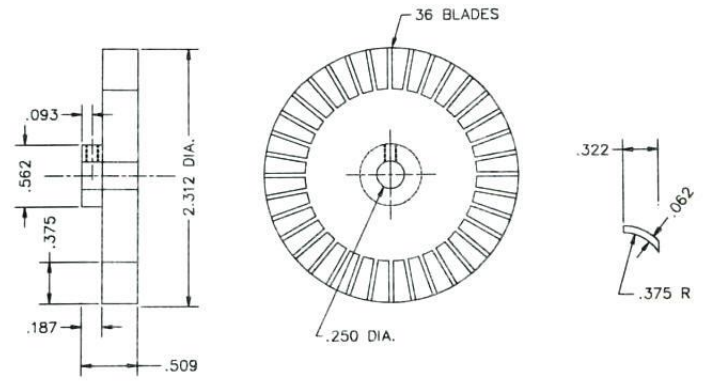
⑥ COMBUSTION CHAMBER
STEEL



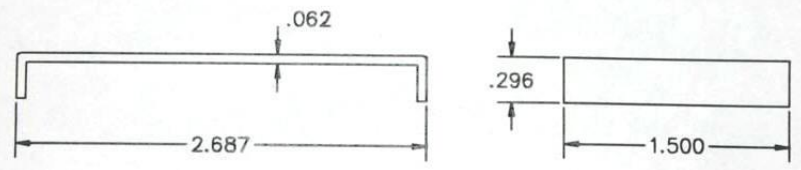
⑦ BEARING HOUSING
ALUMINUM



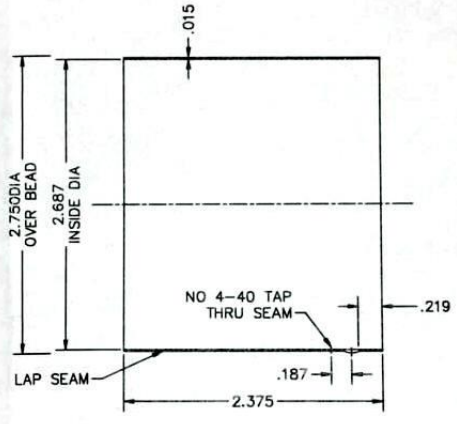
8 JET NOZZLE
STAINLESS ST. 304



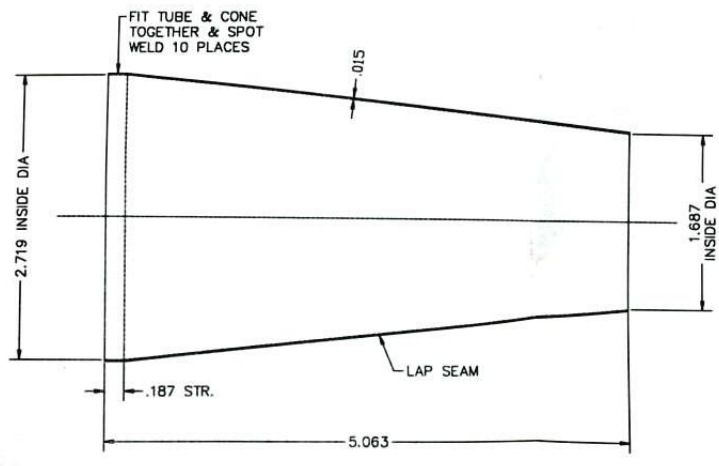
9 TURBINE
STAINL ST 304 OR 316
CASTING



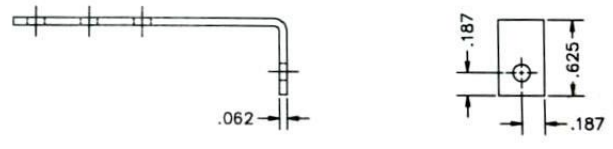
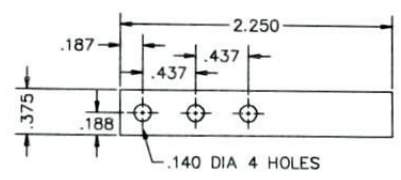
10 TURBULENCE STABILIZER
STAINL ST 304



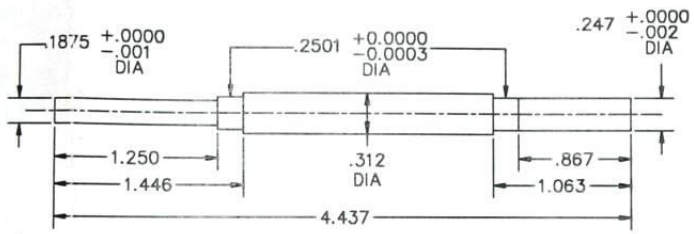
11 EXHAUST TUBE
STAINL ST 304



12 EXHAUST CONE
STAINL ST 304



13 MOUNTING BRACKET
STEEL



16 SHAFT
STAINL.ST. 316