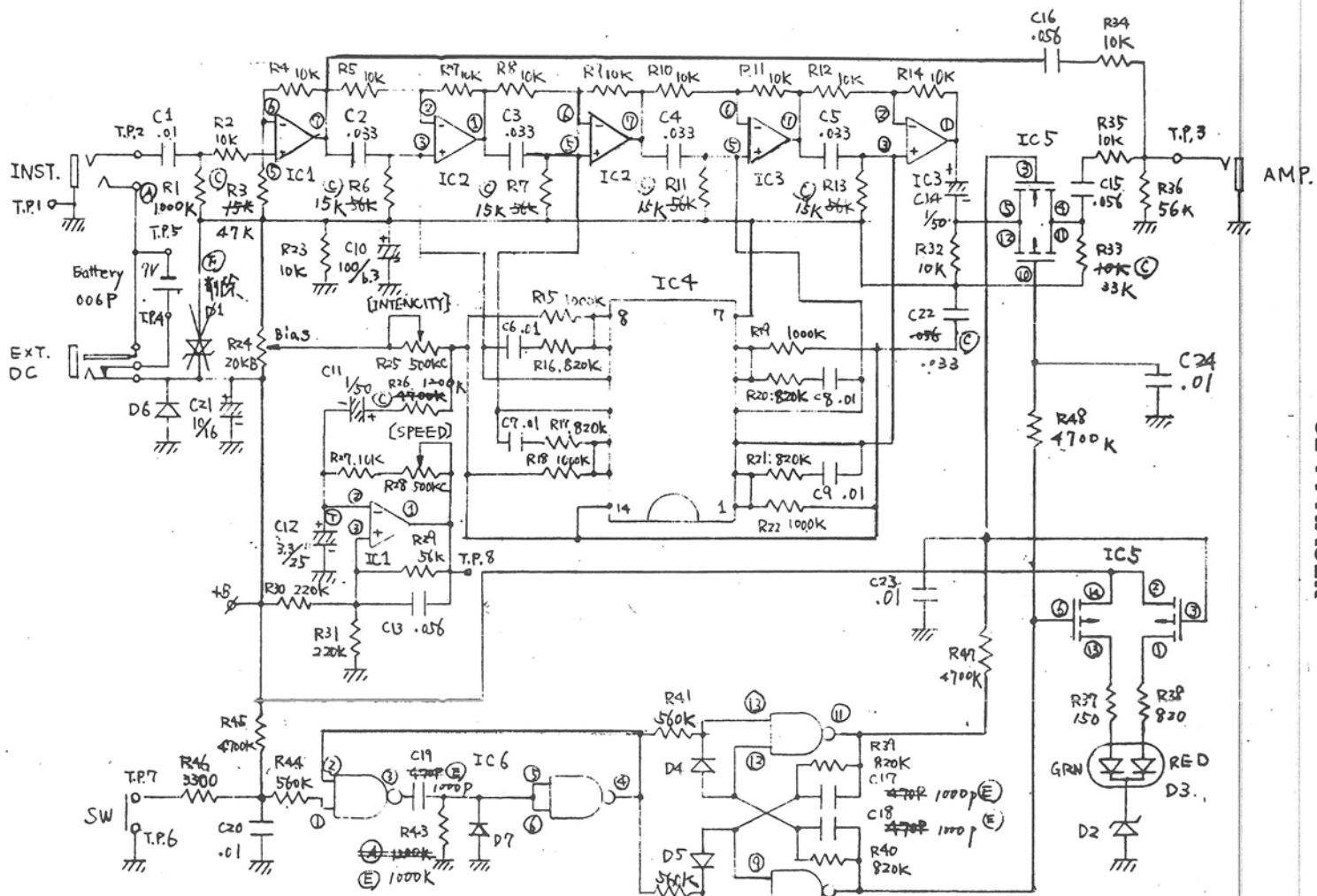


SE-1 PHASER



- NOTES.
1. IC1 THRU IC3 MC4558C
 2. IC4 ~~MC14011CP~~
 3. IC5 MC14007B
 4. D1, D2 RD51EB
 5. D3 TLRG-101
 6. D4 THRU D7 1S2473
 7. IC1 THRU IC3 Pin4: GND. Pin8: +B.
 8. IC5, IC6. Pin7: GND. Pin14: +B
 9. IC6 MC14011BCP (D)

由變更 R43 為 5N 誤動作
為 9 變更

Input impedance 500k ohm min.
Output impedance 10k ohm max.
Maximum input level -10dBm
Sweep speed 0.2 Hz 9 Hz
Sweep range 4 octaves
Signal/noise ratio -90dB

Controls

Intensity level and speed variation
Noiseless electronic FET switch (effect on/off)
Red (effect off) or normal signal
Green (effect on)
Input, output, AC adaptor input
9V battery (006P) included
SE-1IP AC adaptor

LED (2 color)
Jacks
Power supply
Optional accessories



370 Motor Parkway
Hauppauge, New York 11787
Telephone: (516) 231-7700
Telex: 510-227-9866